

4-POST LIFT



ELECTRO-HYDRAULIC

The electro-hydraulic 4-post lift of the **SM65-55-MB** series meets the technical specifications of Mercedes-Benz for optimum wheel alignment and is suitable for the reception of passenger vehicles to light utility vehicles

+ Wide, stable tracks
+ Precise wheel alignment kit included
+ Suitable for all passenger and utility vehicles with long wheelbase

All 4-post lifts are equipped with a pneumatically lockable set-down device.

The up, down and lowering functions on the set-down device can be conveniently controlled via operating buttons.

The maintenance-free lifting cylinder is positioned below the driving surface and thus protected from external influences.

The high-performance hydraulic unit ensures a powerful stroke and short lifting and lowering periods.

Wide tracks allow safe and comfortable driving onto the lift from small passenger vehicles (Smart) to V Class, SUVs and Sprinter vans without having to change the track width.

HIGHLIGHTS IN DETAIL



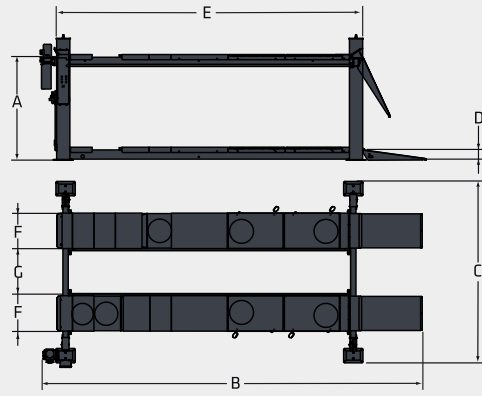
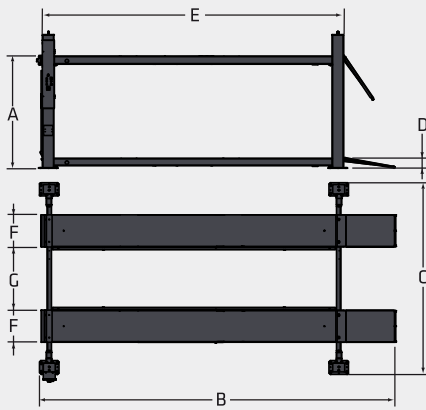
1 The cold-formed driving surface profile provides high rigidity.

2 The integrated running rail offers optimum use of the jacking beam included in the scope of supply.

3 The premium wheel alignment kit allows the use of all rotary disks recommended by Mercedes-Benz. When no rotary disk is used, the recesses can be closed completely using the filling pieces supplied as standard.

4 Adjustable ratchet strips in the lifting columns enable the lifting platform to be aligned absolutely horizontally – important for precise work when used as a wheel alignment lift. Precise wheel alignment and a high degree of workplace safety are thus guaranteed.

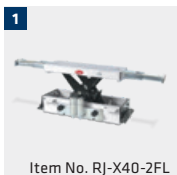


SM65-55-MB

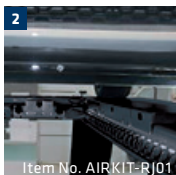
Model	SM65-55-MB
Load capacity	6.500 kg
A Lifting height with AK kit	2.042 mm
Lifting time	38 sec.
B Overall length incl. ramp extension	7.419 mm
C Overall width	3.522 mm
D Drive-on/Drive-over height with AK kit	252 mm
E Runway length	5.500 mm
F Runway width	650 mm
G Runway spacing	900 mm
Wheelbase wheel alignment	1.500 - 4.530 mm
Drive through clearance	2.970 mm
Drive power	4 kW
Drive voltage (electrical)	400 V, 50 Hz
Compressed air supply	8-10 bar
Article number	SM65-55-MB_SM655512F0001

SPECIFICATIONS

SCOPE OF DELIVERY



Item No. RJ-X40-2FL

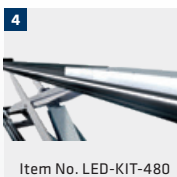


Item No. AIRKIT-RJ01



Item No. EXRMP-SM40N

- 1** Jacking Beam, 4.0t
- 2** Air supply kit
- 3** Extension Kit
- 4** LED lightset (self-adhesive)
- 5** Wheel alignment kit Premium for SM 65-55
- 6** MKS mounting



Item No. LED-KIT-480



Item No. AK-P-SM65-55N-7015



Item No. 114893

- + CE-Stop
- + Document bag (ROT-SZ2514000)
- + Energy kit

Further accessories - see price list