

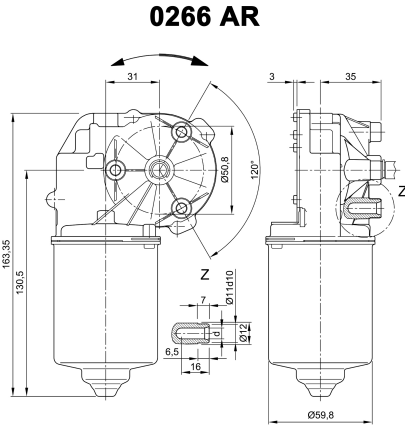
Design Data	
Commutation	Brushed
Direction of rotation	Bi-directional
Bearing type	A: Ball - B:Sleeve

Performance data		
Rated voltage [V]	U_N	24
Nominal torque [Nm]	M_N	3.00
No-load speed [min^{-1}]	n_0	14.0
Nominal power [W]	P_N	3.60
Nominal current [A]	I_N	1.0
Nominal force [kN]	F_N	0.00
Duty cycle	s1	

Sensor data	
Pulses	234
Output channels	1

Other data	
Gear ratio	78/1
Gear wheel material	bronze
Suppression components	$6\mu\text{H}, 1\text{nF}$
Enclosure class	IP 30
Weight [kg]	1.210

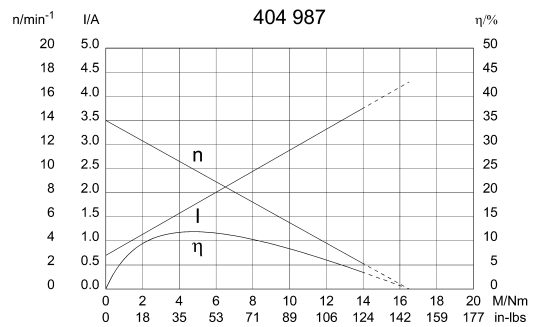
Remarks: d = for thread-forming screw M6 DIN ISO 965-2



Motor picture

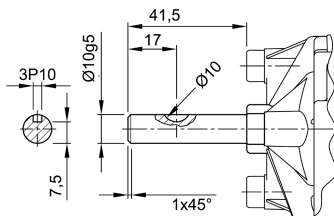


Characteristic curves

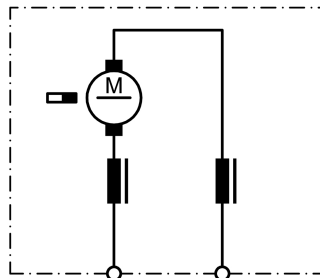


Output shaft drawing (W), Wiring diagrams (S) and Connector layout (K)

W 327



S 27



S150

