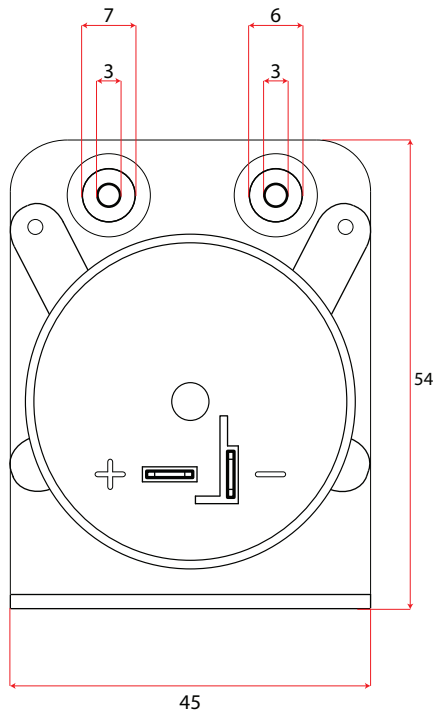
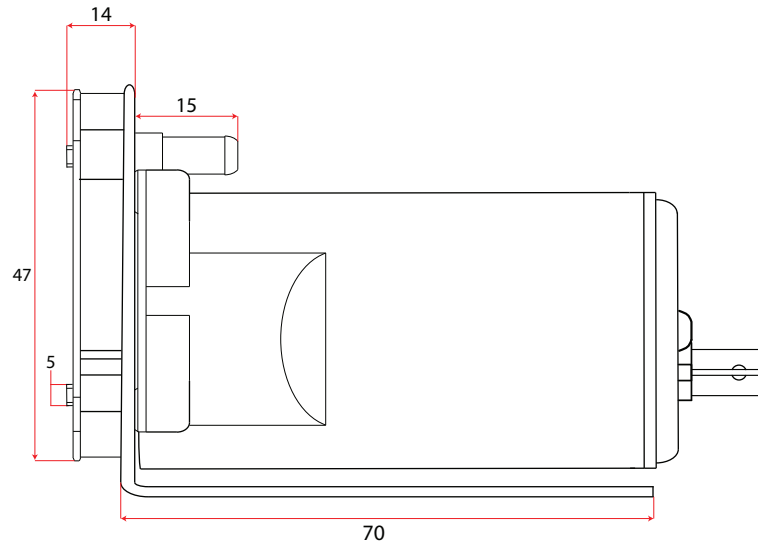


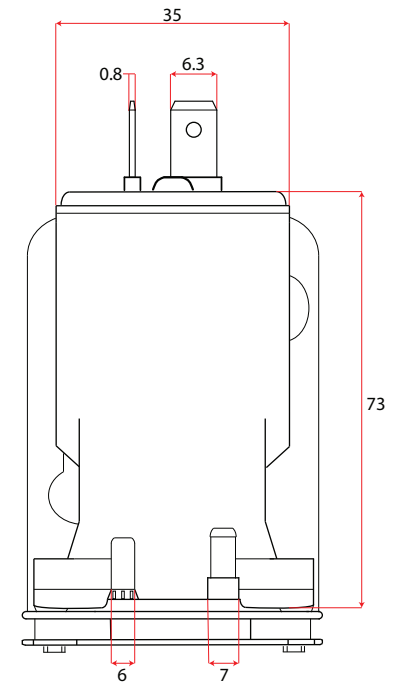
Front View



Side View



Top View



+ / - 5% All Dimensions In MM

Part Number	S 010 006
Voltage	12V
Operating Current	9A
Discharge Pressure (kPa)	180
Discharge Pressure (BAR)	1.8
Flow Rate (With Jet)	250
Environment	-30°C ~ +85°C