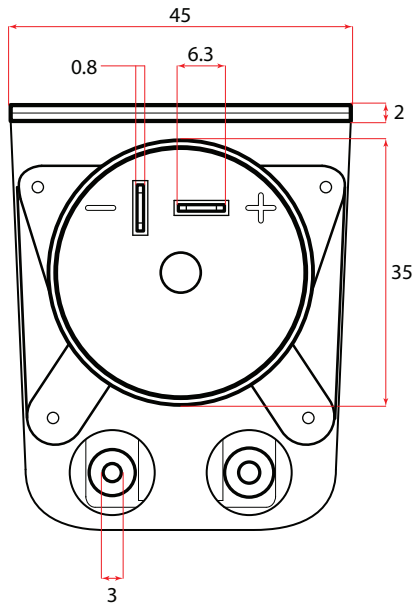
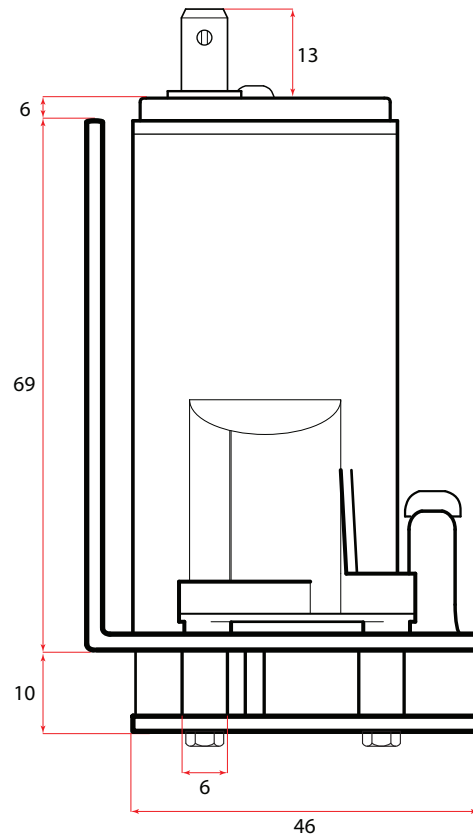


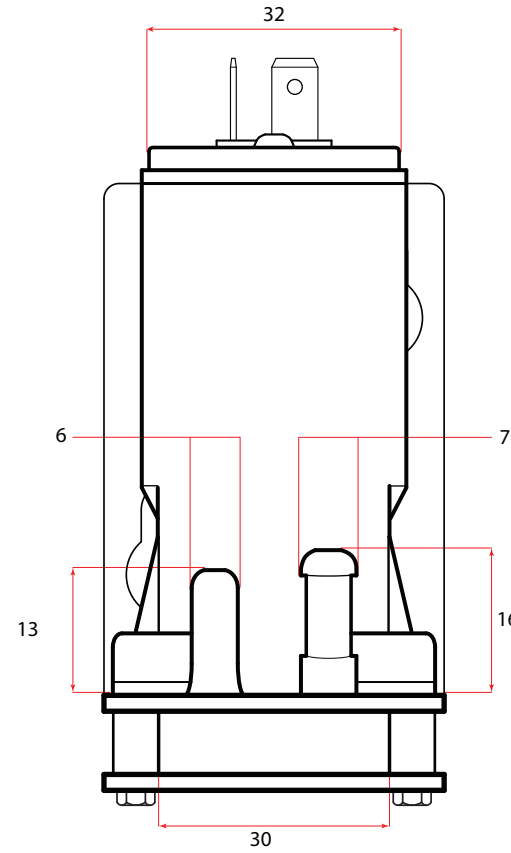
FRONT VIEW



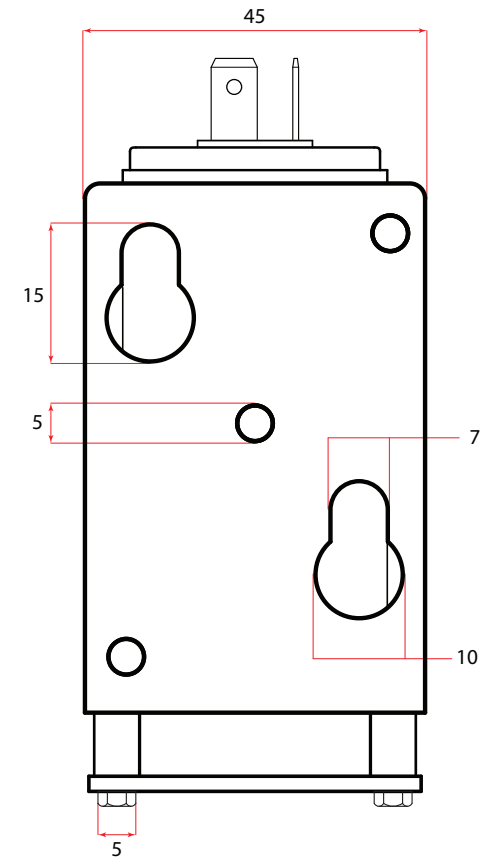
SIDE VIEW



BOTTOM VIEW



TOP VIEW



+ / - 5% All Dimensions In MM

Part Number	S 010 003
Voltage	24V
No Loading Current	≤0.5A
Operating Current	6.3A
Max Operating Time	5 Seconds ON, 25 Seconds OFF
Minimum Discharge Pressure (kPa)	180
Minimum Discharge Pressure (BAR)	1.8
Flow Rate (With Jet)	250

Environment	-30°C~+85°C
Weight (Grams)	189 Grams