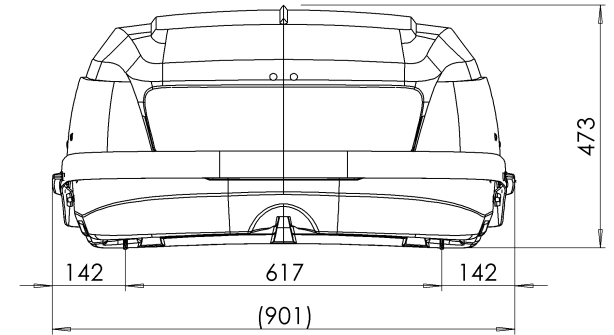
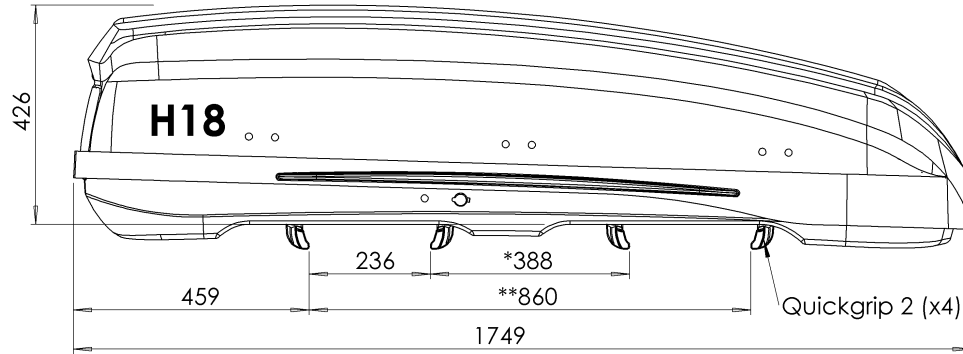




This document may not be copied, altered, or used without permission, and the contents thereof must not be imparted to a third party nor be used for any unauthorized purpose. Contamination will be prosecuted.

Den här tekniska ritningen är ett tekniskt dokument. Den får ej heller delges annan eller annan offentlig användning. Överföring till tredje part utan tillstånd är förbjuden.

REVISIONS			
REV.	DESCRIPTION	DATE	APPROVED



Note: * Min distance between roof rails
 ** Max distance between roof rails
 *** Dimensions with Quick Grip 2 if not stated otherwise

Project No	Material	Surface Treatment		Surface Finish	Mass	Mass Tol.
Tolerance	(Where nothing else is given)	Designed ANAH	Approved frka	Created Date 2020-03-30	Approved Date 2024-01-22	State Approved
 Dimensions in mm				Description OVERVIEW PLACEMENT FOR ROOF RAILS CALIX ROOF BOXES MY20	Draw.no 00037538	Scale 1:10
					Rev. -	Size A3
					Sheet 1/8	