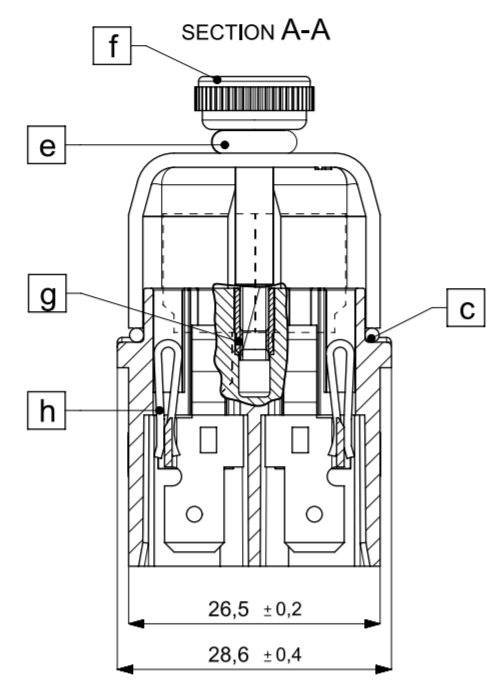
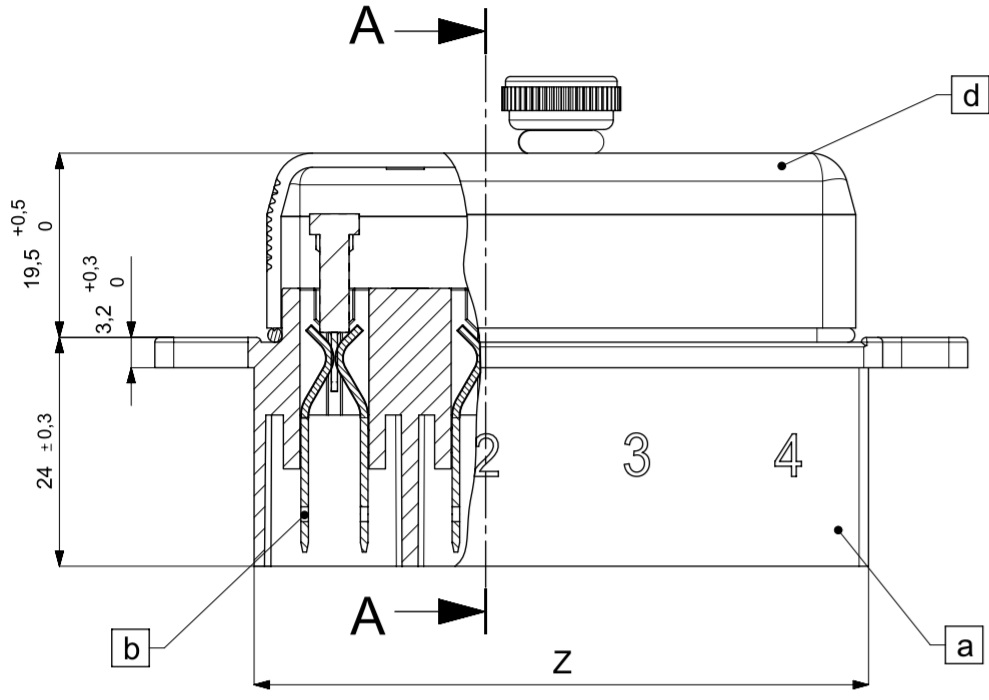
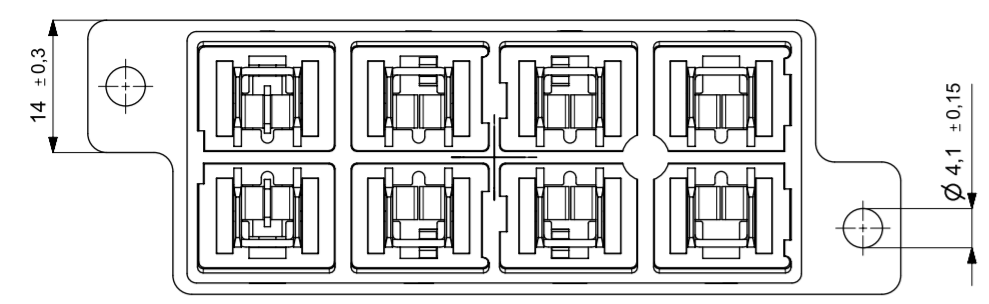
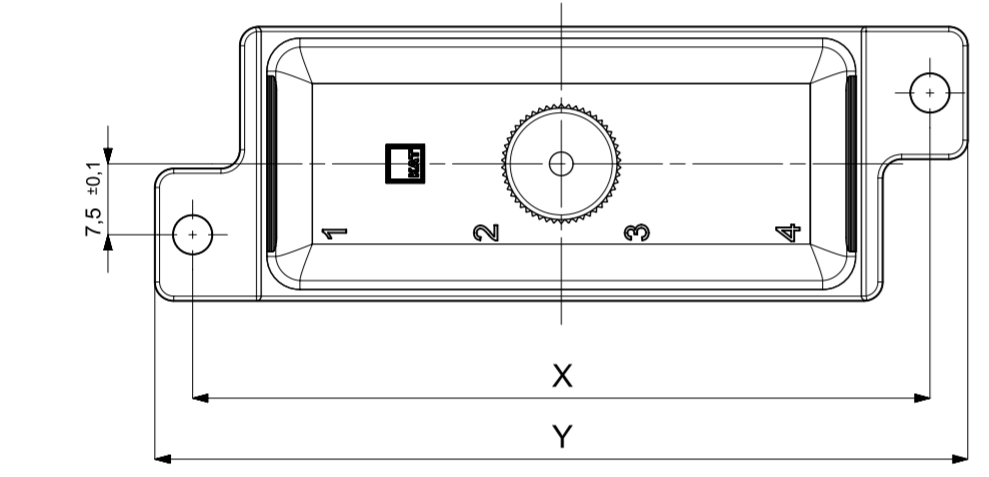


Notlar/ Notes



	2 Pole	4 Pole	6 Pole	8 Pole
X	46 ±0.3	78 ±0.5	110 ±0.5	142 ±0.8
Y	54 ±0.3	86 ±0.5	118 ±0.5	150 ±0.8
Z	33 ±0.3	65 ±0.5	97 ±0.5	129 ±0.8



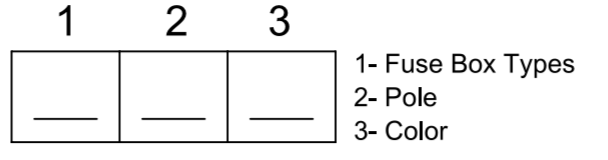
- * Voltage 12/24V
- * Current 3A-30A
- * Voltage drop max. 250 mV
- * High temperature test 2 hrs @ +95 °C
- * Low temperature test 72 hrs @ -40 °C
- * Fuse replacing force 20-40N

Item	Designation	Material	Hardness	Coating	Color	Weight (g)
a	Housing	PA66 GF25	N/A	N/A	See Selection Section 3	2 Pole
						4 Pole
						6 Pole
						8 Pole
b	Contact	CuSn6	160-190 HV (R500)	Ag / 1-3µm	N/A	2,1
c	O-Ring	NBR	50 ShoreA	N/A	Black	2 Pole
						4 Pole
						6 Pole
						8 Pole
d	Cover	PC	N/A	N/A	Transparent	2 Pole
						4 Pole
						6 Pole
						8 Pole
e	O-Ring	PERBUNAN	70 ShoreA	N/A	Black	0,1
f	Screw	11SMnPb37	112-169 HB	Zinc / 5µm	N/A	3,3
g	Nut	CuZn39Pb3	125-165 HV (R420)	N/A	N/A	0,35
* h	Bridge	CuSn6	160-190 HV (R500)	Ag / 1-3µm	N/A	1,5

* Has to be ordered separately
NOTE : To insert the bridge push it all the way to the stop.

ORDERING SCHEME

To select the desired product type please put the code in the bar below



1 FUSE BOX TYPES

WITH COVER & SCREW

WITH COVER, WITHOUT SCREW

WITHOUT COVER & SCREW

2 POLE

1	2 POLE
2	4 POLE
3	6 POLE
4	8 POLE

3 COLOR

A	White
B	Black
C	Green
D	Red
E	Yellow

SPARE PARTS

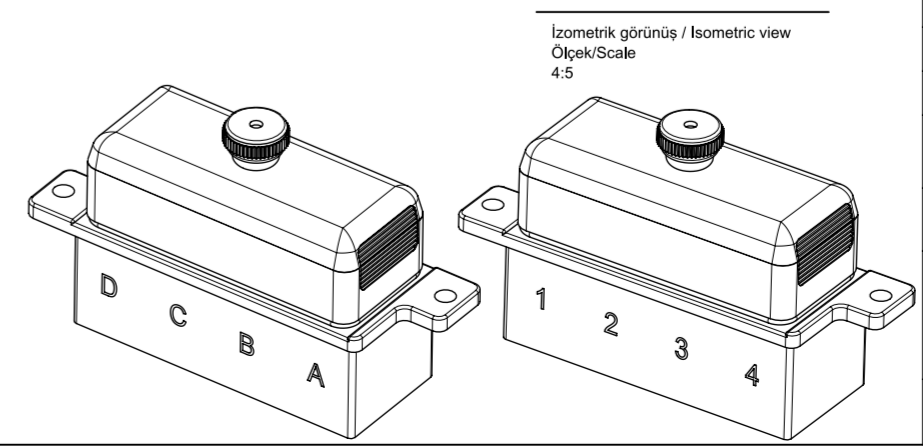
COVER		2 Pole	30887
		4 Pole	30891
		6 Pole	30895
		8 Pole	30899
COVER WITH SCREW		2 Pole	30888
		4 Pole	30892
		6 Pole	30896
		8 Pole	30900
BRIDGE		30788	

* Fitting o-ring is included.

ACCESSORIES

For technical details : please, refer to drawing 95110.

For technical details : please, refer to drawing 30903



Rev. Nr. / Rev. No.	Konum / Section	Tarih / Date	İsim / Name	Revizyon tanımı / Revision description	Talep No. / Order No.
a	N/A	13.12.2007	K.KARABULUT	Voltage and current values are added. Bridge contact insertion remark is added.	N/A
b	N/A	17.09.2013	C.TOPRAKHISAR	The measurement tolerance were renewed.	N/A
c	N/A	02.03.2018	K.KARABULUT	Technical drawing updated	N/A

Taslak / Draft Prototip / Prototype Ön seri / Pre-series Seri / Series

KAT, bunlarla sınırlı kalmamak kaydı ile kopyalama hakları, isimlendirme hakkı, endüstriyel mülkiyet hakkı için başvuru hakkı ve bununla sınırlı kalmamak kaydı ile buluş hakları dahil olmak üzere tüm hakları saklar. Kopyalama ve dağıtma veya yayma hakları dahil tüm kullanma ve işleme (faydalama) hakları KAT'a aittir.

KAT reserves all rights, including without limitation rights of invention copyrights, rights to names and the right to apply for industrial property rights. All rights of use and exploitation including the right to copy and disseminate or distribute reside with us.

KAT

CAD sistemi ve yönetim kodu/CAD system and administration code: NX 11 (*.prt)

Malzeme / SAP kod / Markalama kodu / Material / SAP code / Part marking code: See table

Renk / Color: See table

Ağırlık (g) / Weight: See table

Çekme mukavemeti (N/mm²)/Tensile strength: N/A

Sertlik (HV)/Hardness: See table

Kaplama malzemesi/Coating material: See table

Kaplama kalınlığı (µm)/Coating thickness: See table

İsim/ Name	Tarih / Date	İmza / Signature	Proje kod / Project code
Çizen / Drawn: K.KARABULUT	21.09.2007		KOT-1
Tasarım Sorumlusu / Responsible design: C.TOPRAKHISAR	21.09.2007		
Kontrol / Checked: Cem KABAHASANOĞLU	21.09.2007		

Güvenlik Dök. / Safety Doc.: N/A

Proje Adı / Project Name: FUSE BOX

ISO 128

Ölçek/Scale: 5:4, 4:5

Resim No / Drawing No: 95040

Boyut Format / Sheet: A1

Sayfa / Sheet: 1

Toplam sayfa / of: 1

Normal ölçülerde belirtilmeyen toleranslar için genel toleranslar / General tolerances for nominal dimensions without specified tolerance: 7168 mS

KAT MEKATRONİK / KAT MECHATRONICS