



RDW

Vehicle Technology Division

THE NETHERLANDS
(N E D E R L A N D)



COMMUNICATION



Concerning:

- ~~- approval granted~~
- approval extended
- ~~- approval refused~~
- ~~- approval withdrawn~~
- ~~- production definitely discontinued~~

of a type of device pursuant to Regulation number 7.

Approval number: E4-7R-02 11371

Extension number: 01

Approval mark:



1. Trade name or mark of the device : HELLA
2. Manufacturer's name for the type of device : 2PF 340.825-00
3. Manufacturer's name and address : Hella Trailer System GmbH
Amstetter Strasse 32
89191 Nellingen
Germany
4. If applicable, name and address of the manufacturer's representative : Hella B.V.
Celsiusbaan 2
3430 BJ Nieuwegein
The Netherlands
5. Submitted for approval on : April 3, 2006; June 12, 2008
6. Technical service responsible for conducting approval tests : KEMA Quality B.V.
7. Date of report issued by that service : April 13, 2006; June 24, 2008
8. Number of report issued by that service : 2092377-QUA/PHO 06-078;
2117328-QUA/PHO 08-144

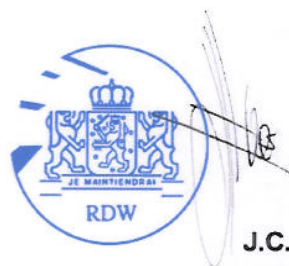


P.O. Box 777
2700 AT Zoetermeer
The Netherlands

Tel. + 31 (0)79 345 81 43
Fax + 31 (0)79 345 80 43
www.rdw.nl

Vehicle Approval and Information

9. Concise description: 2x non-replaceable light source LEDs (connected in series)
24 V, 0.9 W or
12 V, 0.6 W
- By category of lamp : A
- For mounting ~~either outside or inside or both~~ : outside
- Colour of light emitted : red/white
- Number and category of filament lamp(s) : --
- Special supply voltage : --
- Application of additional supply system : yes/no
- Specification of this supply system : --
- Switched power supply:
-duty cycle : --
-peak to peak voltage : --
-and/or effective voltage : --
- Light source module : ~~yes~~/no
- Light source module specific identification code : --
- Geometrical conditions of installation and relating variations, if any : See annexed drawing
- Only for limited mounting height of equal to or less than 750 mm above the ground : ~~yes~~/no
10. Position of the approval mark : See annexed drawing
11. Reason(s) for extension (if applicable) : Addition of a 12 V version
12. Approval : ~~granted/extended/refused/withdrawn~~
13. Place : Zoetermeer
14. Date : 02-JUL-2007
15. Signature :



J.C.M. Hoes

16. The list of documents deposited with the Administrative Service which has granted approval, is annexed to this communication and may be obtained on request.
- 1 Drawing No. 340825-00_Z1, dated 22.02.2006.
 - 1 Drawing No. EI79146---/41, dated 02-03-2006.
 - 1 Drawing No. 2PF 340 825-00, dated 2008-06-12 (annexed).
 - Test report as mentioned in item 8





Hella Trailer System GmbH

Type / Typbezeichnung: **2PF 340 825-00**Belongs to approval no:
Gehört zur Gen.-Nr.:

E4 11371

Mounting instruction no:
Einbauanweisung Nr.:**Front Position Lamp for automobile**

Begrenzungsleuchte für Kraftfahrzeuge

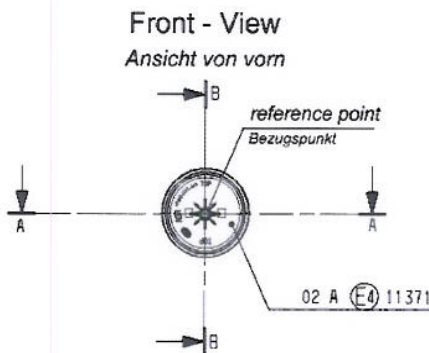
Light source:

Lichtquelle:

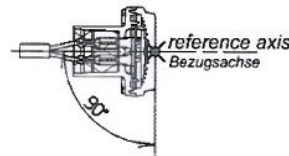
Front Position Lamp
Begrenzungsleuchte**2 non replaceable light emitting diodes**
2 nicht austauschbare LEDs**Design voltage:**
Prüfspannung: 13,5V**Supply voltage:**
Versorgungsspannung: 12V**Nominal power:**
Nennleistung: 0,6W

- ☒ = Centre of reference in accordance with the ECE-regulation-no. 7.
Bezugspunkt nach der ECE-Regelung Nr. 7.
 - ☒ = Centre of reference for the definition for illuminating surface in accordance with the Council Directive 76/756EEC or ECE-regulation-No. 48 (see Annex A).
Bezugspunkt zur Bestimmung der Grenzen der leuchtenden Fläche nach 76/756 EEC oder ECE Regelung-Nr.48.
Markierung s. auf der Abschluss-Scheibe. Maße s. Anlage A.
- Axis of reference:** Parallel to the car center line and parallel to the road.
Bezugsachse: Parallel zur Fahrzeuginnenachse und parallel zur Fahrbahn.

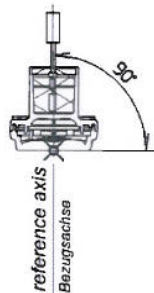
The Lamp can be mounted also rotated 180°.
Das Gerät darf 180°gedreht angebaut werden.



Side - View (Section B-B)
Ansicht von der Seite (Schnitt B-B)



Top - View (Section A-A)
Ansicht von oben (Schnitt A-A)



The device must be surface-mounted or flush-fitted according to the enclosed surface-mounting or flush fitting documents (e. g. sketch).

Der An- bzw. Einbau der Geräte hat nach anliegenden An- bzw. Einbauunterlagen (z. B. Skizze und Anlage A) zu erfolgen.

2008-06-12