



RDW

Vehicle Technology Division

THE NETHERLANDS
(N E D E R L A N D)



COMMUNICATION

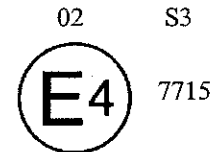
Concerning: APPROVAL GRANTED
~~APPROVAL EXTENDED~~
~~APPROVAL REFUSED~~
~~APPROVAL WITHDRAWN~~
~~PRODUCTION DEFINITELY DISCONTINUED~~

of a type of device pursuant to Regulation No. 7

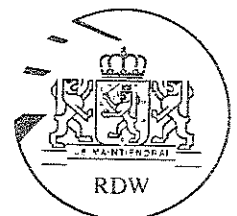
Approval No.: E4 - 7R - 02 7715

Extension No.: --

Approval mark:



- | | | | |
|---|--|---|--|
| 1 | Trade name or mark of the device | : | HELLA |
| 2 | Manufacturer's name for the type of device | : | 343800 CHMSL |
| 3 | Manufacturer's name and address | : | Hella Lighting Finland Oy.
Inkereentie 566
24280 Salo
Finland |
| 4 | If applicable, name and address of the manufacturer's representative | : | -- |
| 5 | Submitted for approval on | : | 30 March 2006 |
| 6 | Technical service responsible for conducting approval tests | : | N.V. KEMA |
| 7 | Date of report issued by that service | : | 5 April 2006 |
| 8 | Number of report issued by that service | : | 2092371-QUA/PHO 06-073 |



Approval No.: E4 – 7R – 02 7715

Extension No.: --

9 Concise description:
By category of lamps : S3
For mounting either outside or ~~inside or both~~
Colour of light emitted : red/selective yellow/white
Number and category of filament lamp(s) : --
Special supply voltage : --
Application of additional supply system : yes/no
Specification of this supply system : --
Switched power supply:
Duty cycle : --
Peak to peak voltage and/or effective voltage : --
Light source module : yes/no
Light source module specific identification code : --
Geometrical conditions of installation and relating variations; if any : See annexed drawings
Only for limited mounting height of equal to or less than 750 mm above the ground : yes/no

10 Position of the approval mark : See annexed drawings

11 Reason(s) for extension (if applicable) : --

12 Approval granted/~~refused/extended/withdrawn~~

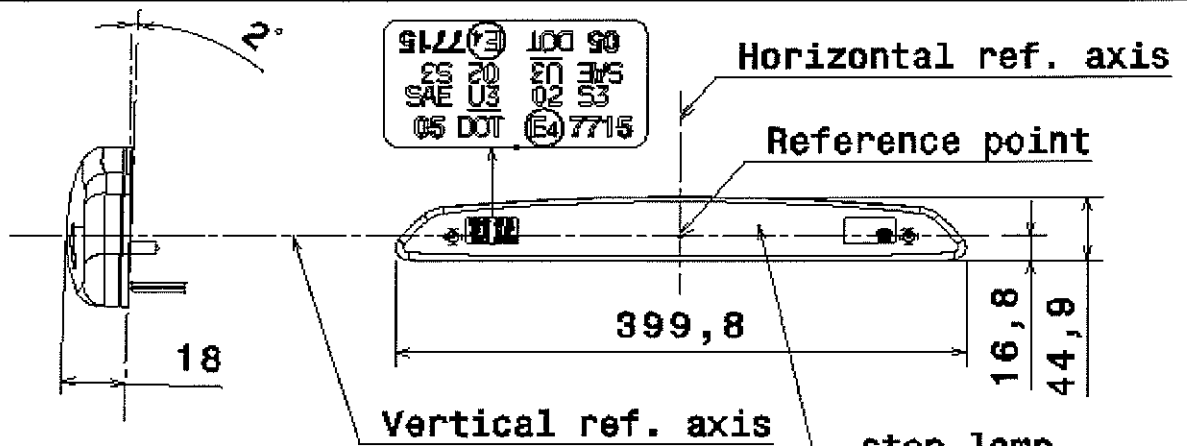
13 Place : Zoetermeer

14 Date : 11 APR 2006

15 Signature : 

16 The list of documents deposited with the Administrative Service which has granted approval is annexed to this communication and may be obtained on request:

- 2 Drawings No. 343 812-00 and No. 343 813-00, dated 30.3.2006 (annexed).
- 1 Table with outlines of the illuminating surface No. 343 812-01, dated 31.03.2006 (annexed).
- Test report as mentioned in item 8



Right view
Scale: 1:2

stop lamp
colour:red
category:s3

12 V 24 V
1,8 W 2,1 W

Light source:Non-replaceable light sources (12 pcs L.E.D.)
Nominal voltage:12 V or 24 V
Nominal wattage:1,8 W or 2,1 W

20	30	Ä-Index Rev. Ind	mar mas	Blatt Page	Rendering Rev. Description	A-Nr. Rev. No.	Datum Date	K-Gr./Name Dept./Name

Oberfläche Surface	.		
Werkstoff Material	.		
Allgemeintoleranz General Tolerance	.	Gewicht Weight	.

Dieses Dokument ist vertraulich zu behandeln. Ihre Weitergabe sowie Vervielfältigung, Vervielfältigung und Mitteilung seines Inhalts ist nur mit unserer ausdrücklichen Genehmigung gestattet. Alle Rechte vorbehalten, insbesondere für den Fall der Schutzrechtsanmeldung.
This document has to be treated confidentially. Its contents are not to be passed on, duplicated, exploited or disclosed without our express permission. All rights are reserved, particularly in case of applications for proprietary rights.

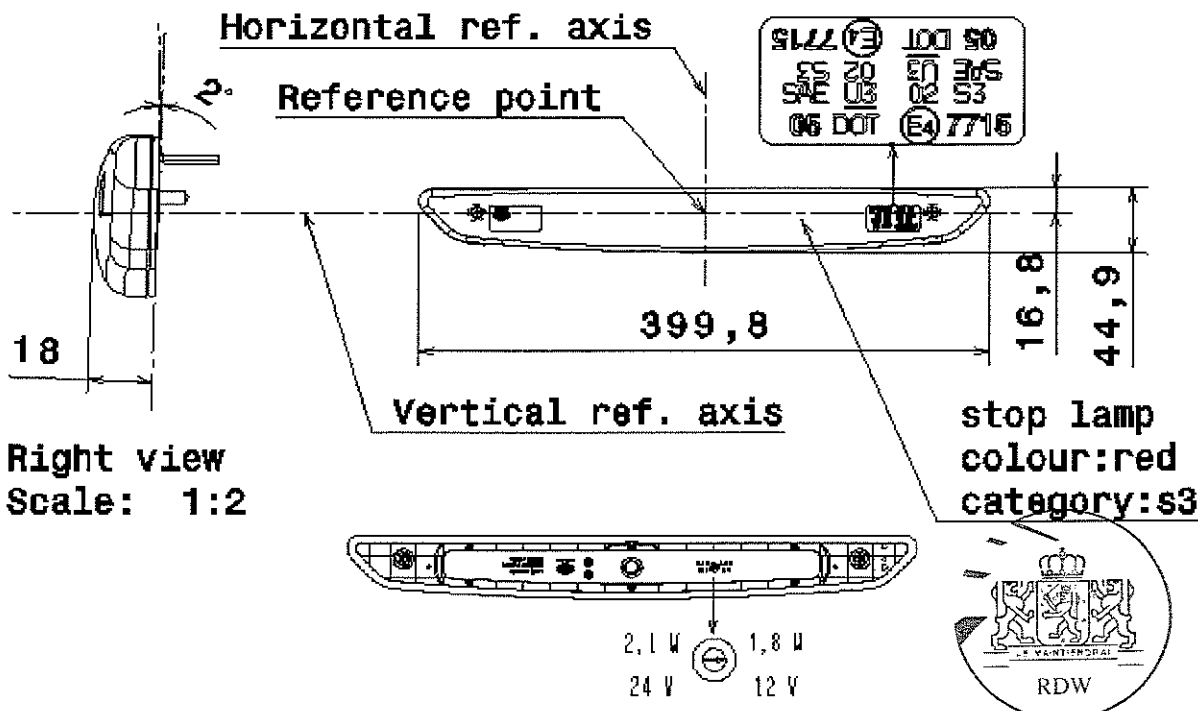
Masstab Scale	1:5	Datum Date	Name	 Hella Lighting Finland
Projektionsmethode Projection	3	Erstellt/Entw. Drawn	KALLIS1	
		Freigegeben Checked	BIRLT11	
		Konstr.-Gr. Department	HLF	

Benennung	Artikel-Nr. Part No.
.	.

Title	Zeichnungs-Nr. Drawing No.	Format Size
343 800 CHMSL	343 812-00	A4

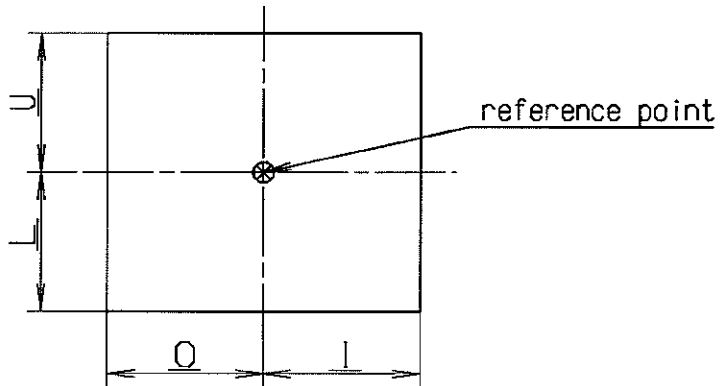
Ersatz fuer Replaces	Blatt: Page:	Blattzahl: Of:
Erstverwendung: First Project No.:	.	.

CATIA V5:	Dok.-Status:
-----------	--------------



Light source:Non-replaceable light sources (12 pcs L.E.D.)
 Nominal voltage:12 V or 24 V
 Nominal wattage:1,8 W or 2,1 W

..
..
..
..
..
2D	3D	A-Index Rev. Ind	Rev. Ind	Blatt Page	Rev. Description	A-Nr. Rev. No.	Datum Date	K-Gr./Name Depart./Name	
Oberfläche Surface		.					Gewicht Weight		.
Werkstoff Material		.							.
Allgemeintoleranz General Tolerance		.							.
Dieses Dokument ist vertraulich zu behandeln. Ihre Weitergabe sowie Vervielfältigung, Vermietung und Mitteilung seines Inhalts ist nur mit unserer ausdrücklichen Genehmigung gestattet. Alle Rechte vorbehalten. Insbesondere für den Fall der Schutzrechtsanmeldung.					This document has to be treated confidentially. Its contents are not to be passed on, duplicated, exploited or disclosed without our express permission. All rights are reserved, particularly in case of applications for proprietary rights.				
Maßstab Scale		1:5		Datum Date		Name			
Projektionsmethode Projection		3		Erstellt/Entw. Drawn		30.3.2006		KALLISI	
3		1		Freigegeben Checked		30.3.2006		BIRLTI	
				Konstr.-Gr. Department		HLF			
Benennung					Artikel-Nr. Part No.				
Title					Zeichnungs-Nr. Drawing No.			Format Size	
343 800 CHMSL					343 813-00			A4	
Ersatz fuer Replaces					Blatt: Page:		Blattzahl: Of:		
Erstverwendung: First Project No.:									
CATIA V5:					Dok.-Status:				



Function	upper limit (U) mm	lower limit (L) mm	outer limit (O) mm	inner limit (I) mm	
Stop lamp category S3	10	10	110	110	A
Stop lamp category S3	10	10	110	110	B

A=mounted as in drw 343 812-00
 B=mounted as in drw 343 813-00



2D	3D	A-Index Rev. Ind	war was	Blatt Page	Aenderung Rev. Description	A-Nr. Rev. No.	Datum Date	K-Gr./Userid Depart./Userid
.

Oberfläche 1 Surface 1
Werkstoff 1 Material 1
Allgemeintoleranz General Tolerance	.	.	.	Gewicht Weight
				Mat.-Nr. Mat.-No.

Diese Unterlage ist vertraulich zu behandeln. Ihre Weitergabe sowie die Verwertung und Mitteilung ihres Inhalts ist nur mit unserer ausdrücklichen Genehmigung gestattet. Wir behalten uns alle Rechte vor, insbesondere das Recht zur Schutzrechtsanmeldung.

This document is confidential. It's contents are not to be exploited, passed on or disclosed to third parties without our express permission. All rights reserved.

Masstab Scale	Datum Date	Userid
Erstellt/Entw. Drawn	31.03.2006	IKA
Freigegeben Checked	31.03.2006	TBI
Konstr.-Gr. Department	.	.



Hella Lighting
Finland

Benennung 343 800 CHMSL	Artikel-Nr. Part No.
Title ILLUMINATING SURFACE	Zeichnungs-Nr. Drawing No. 343 812-01
Ersatz fuer Replaces	Blatt: Page:
CATIA:	Blattzahl: Of: Dok.-Status:
	Format Size A4