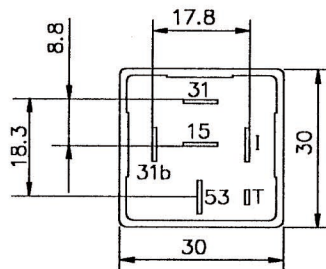
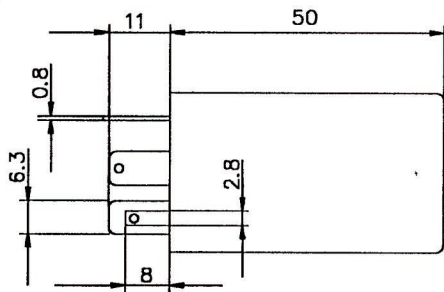
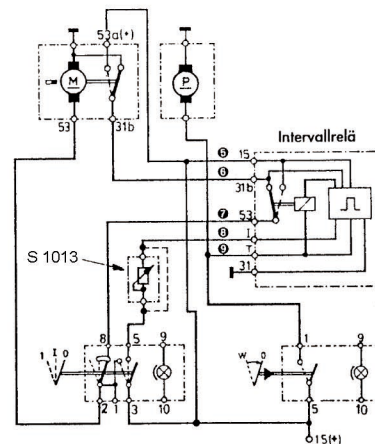


| Ändring | Revision | Datum | Date | Namn | Name |
|------------------|--------------------|------------|------|------|------|
| Introducerad | Introduced | 2011-01-05 | | JR | |
| Paustid ändrad | Delay time changed | | | | |
| Impulstid införd | Impulse time added | | | | |



Inkopplings exempel

Connection example



| | | |
|-----------------------|-----------------------|--------------------------|
| Arbetstemperatur | Operating temperature | -40°C -- +80°C |
| Intervalltorkning | Intermittent wipe | 1 torkcykel 1 wipe cycle |
| Torkning efter spoln. | Wipe-dry | 4 s ± 1 s |
| Paustid variabel | Delay time variable | 3 s ± 1 s -- 20 s ± 2 s |
| Impulstid | Impulse time | 0,5 s ± 0,1 s |
| Nominell spänning | Nominal voltage | 12 V |
| Driftspänning | Operating voltage | 11 V -- 16 V |
| Kapslingsklass | Enclosure class | IP 52 |

| | | | |
|--------------------------|----------------|--|-----------------------------------|
| Ersätter Replaces | | Material Material | Ytbehandling Surface treatment |
| Ritad Drawn | 2011-01-05 | TOLERANSER där ej annat angivits Diametrar enligt Diameters as per | Ytjämnhet Surface quality |
| Kontrollerad Checked | 2011-01-05 | TOLERANCES unless otherwise specified Övriga längdmått Other dimensions | |
| Godkänd Approved | JR | Benämning Title | INTERVALLRELÄ |
| Projektion Projection | | | TIMING CONTROL RELAY |
| | Skala Scale | Artikelnummer Article No. | S 601 666 |