



Workshop crane K 21260



CE

# **INSTRUCTIONS FOR USE**

## **IMPORTANT**

Read these safety instructions carefully in addition to the instructions for use, operation and maintenance. Keep them in a safe place for later consultation.

This crane has been designed for use as a hoist with extensive use in industry and automobile workshops, particularly for handling of engines. Any other use of this crane is considered inappropriate.

Handle the crane correctly and ensure that all parts and components are in good condition and that no parts are missing. Take special care with the elevation accessories used with the crane, such as slings, supports, compensators etc.

The crane should only be used by authorized persons, having read the content of this manual carefully and understood its content.

Do not modify the crane in any way.

Non-compliance with these instructions may result in injury or damage to the user, the crane or the load to be lifted

The manufacturer accepts no responsibility for improper use of the crane.

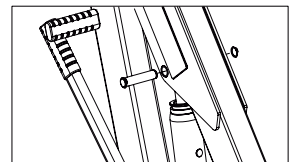
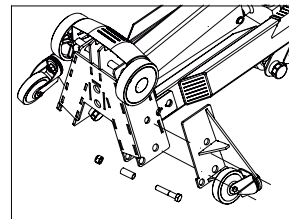
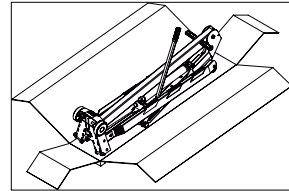
## **SAFETY INSTRUCTIONS**

- 1 The load to be lifted should never exceed the rated capacity of the crane in each of the positions of the hoisting arm.
- 2 Secure the element to be lifted against any type of slipping. Do not apply any lateral pressure to the elevated or suspended load.
- 3 The crane should be placed on a solid, level and horizontal, non-slip surface. It should be well illuminated and free of unnecessary obstacles.
- 4 The capacity of the crane is reduced as the arm is extended. Make sure that the load capacity is never exceeded in each of the positions of the slide as indicated.
- 5 Both children and unauthorized persons should be kept away from the work area. During the work, ensure that there is nobody in its path.
- 6 Prior to proceeding to work with the crane, make sure that the slide is perfectly fitted to the screw (figure 1&2, page 4). The crane arm should be located in the nearest possible position to the load to be elevated. Make sure that there are no elements in the vicinity which hinder the elevation of the load or obstacles which prevents its lowering. When securing the load to the hook, always use appropriate elevation elements with a capacity superior to that of the load to be elevated. Check that the safety trigger functions correctly.
- 7 To lift the load in a stable and balanced way, suspend it from the hook and bear in mind that its center of gravity should always be within the crane support base.
- 8 Never allow the load to sway and do not lower it aggressively as this may prove to be dangerous (figure 3&4, page 4).
- 9 Do not place any part of the body under the elevated load (figure 5, page 4) and do not climb on top of the crane.
- 10 The crane is not a transportation element but in the event that it is necessary to move the load a short distance, position the arm of the crane in the lowest possible position. Once the movement has been completed, place the load on the ground. The crane is not a device to maintain the load elevated for a longer period.
- 11 As a safety measure against overload, the crane is fitted with an overload valve, set at its maximum working pressure at the factory. This valve should not be tampered with under any circumstances.

## ASSEMBLY, USE AND OPERATION

As we are handling heavy elements, it is essential to carry out the following assembly processes with the help of other people.

- 1 Assemble the wheel brackets on the column
- 2 Lift the crane and attach the hydraulic unit to the arm using the provided axle. Make sure that the rings are correctly placed.
- 3 Prior to using the crane, the hydraulic circuit needs to be deaerated in order to eliminate any air in the valve system of the hydraulic unit. Turn the hydraulic valve knob on the hydraulic cylinder 90° while pumping the lever (5) several times. By releasing the knob, the crane is ready to use. Turn the hydraulic unit to work in the most comfortable position.
- 4 To lift the load, activate the lever (5).  
If lifting an engine, secure it at the points recommended by the manufacturer.
- 5 If it's necessary to use the crane in other positions, the slide should be perfectly fitted (figure 1&2, page 4)



- 6 To lowering the load, turn the knob on the hydraulic cylinder. This system enables the lowering to be regulated and controlled manually and precisely. As another safety element, the crane is fitted with an LCS system to avoid harsh lowering as a result from an incorrect maneuver. The crane will stop the lowering action when the knob is not activated.
- 7 When the use of the crane is completed, the piston of the hydraulic unit should be fully retracted. First move the slide to its initial position.

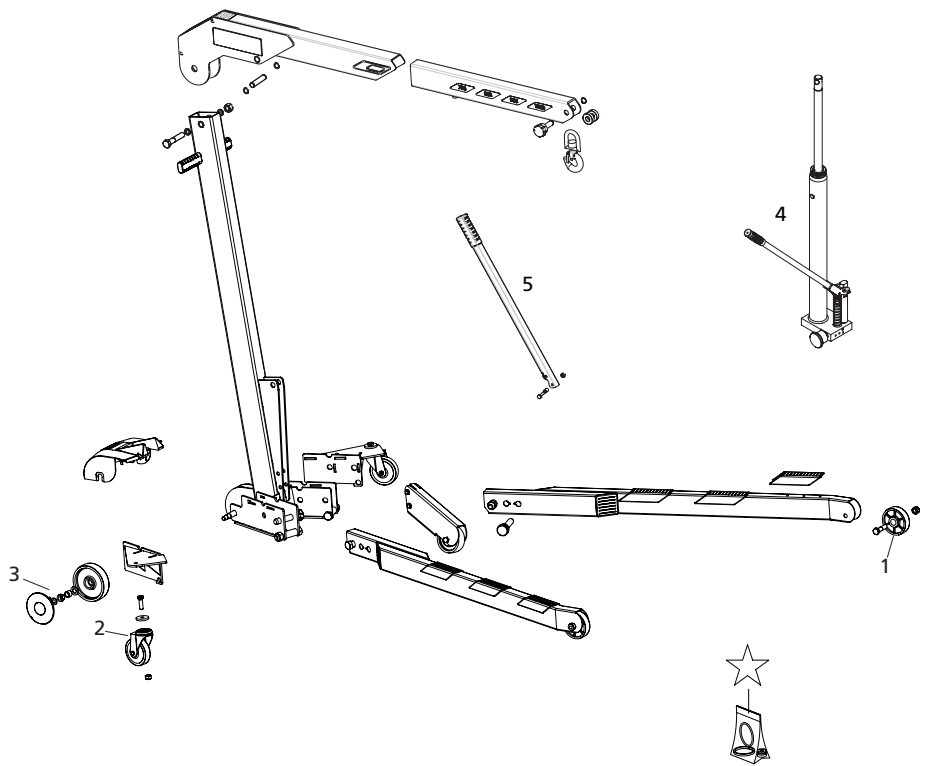
## **MAINTENANCE**

**Important:** Maintenance and repair of this crane shall only be carried out by qualified and authorized personnel, who as a result of their training and experience, are familiar with the hydraulic systems used in these devices.

- 1 Clean and lubricate the axes of the moving parts of the crane at regular intervals. The crane should be kept clean and protected from aggressive conditions at all times.
- 2 Only original spare parts should be used.
- 3 Withdraw the crane from service if it is suspected that it has been subjected to abnormal loads or has suffered any type of knock, until the problem has been solved.
- 4 If the oil level needs to be checked or refilled, dismantle the hydraulic unit and with the piston fully retracted, remove the filler plug and drain it's contents into a container. With the hydraulic in a horizontal position, proceed to introduce the necessary volume indicated in the parts table.

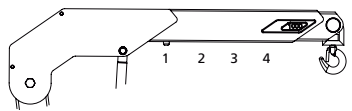
**Important:** An excess of oil over the volume required may affect the operation of the crane.

- 5 Only use hydraulic oil type HLP 32.  
**Extremely important:** Never use brake fluid.
- 6 When the crane is not in use, it should be fully retracted in the lowest position so as to minimize piston corrosion (illustration 4, page 5). it is recommendable to apply an anti-corrosion product to the main piston and the pump.
- 7 Store the crane in a dry, clean place out of reach for children.
- 8 At the end of the useful life of the crane, drain off the oil and hand it over to an authorized agent and dispose of the remaining parts in accordance with local regulations.



### SPARE PARTS LIST K 21216

Pos.	Parts No.	Description
1	K 21261	Wheel, front
2	K 21225	Wheel, rotating
3	K 21262	Wheel, rear
4	K 21263	Hydraulic unit
	0,6 lit	Oil



#### Variable capacity

- Pos.1 1000 kg
- Pos. 2 900 kg
- Pos. 3 800 kg
- Pos. 4 700 kg



Kamasa Tools is a registered trademark of KG Knutsson AB, 191 81 Sollentuna, Sweden  
CE declaration for this product is available as a file on [www.kamasatools.com](http://www.kamasatools.com)

K 21260

[www.kamasatools.com](http://www.kamasatools.com)