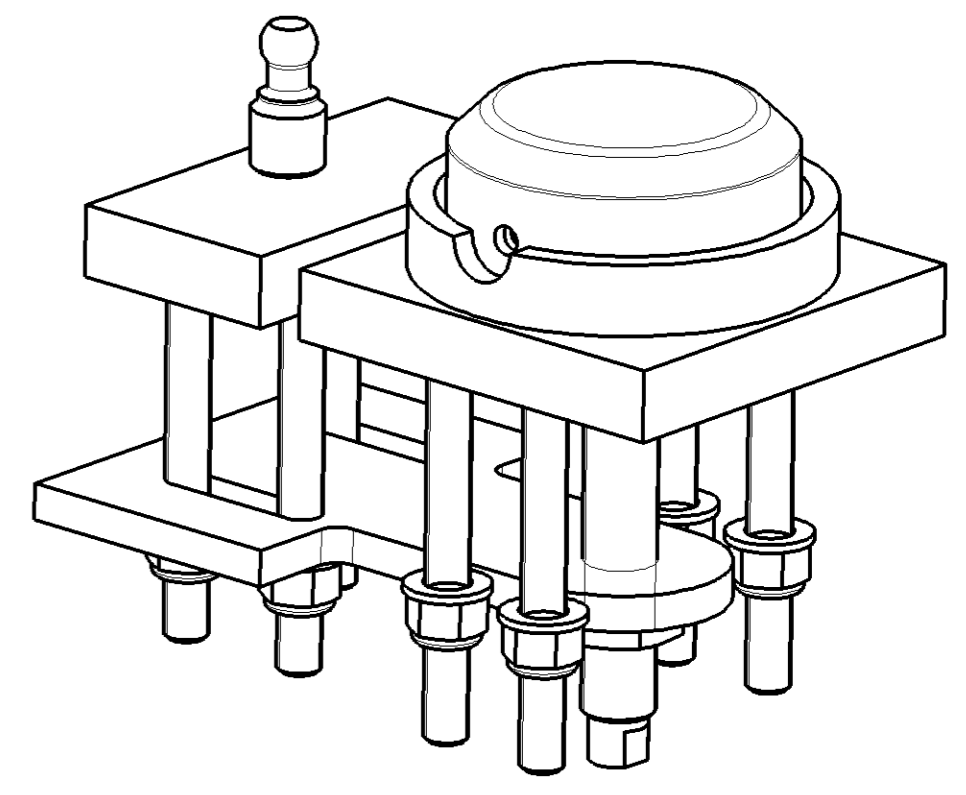
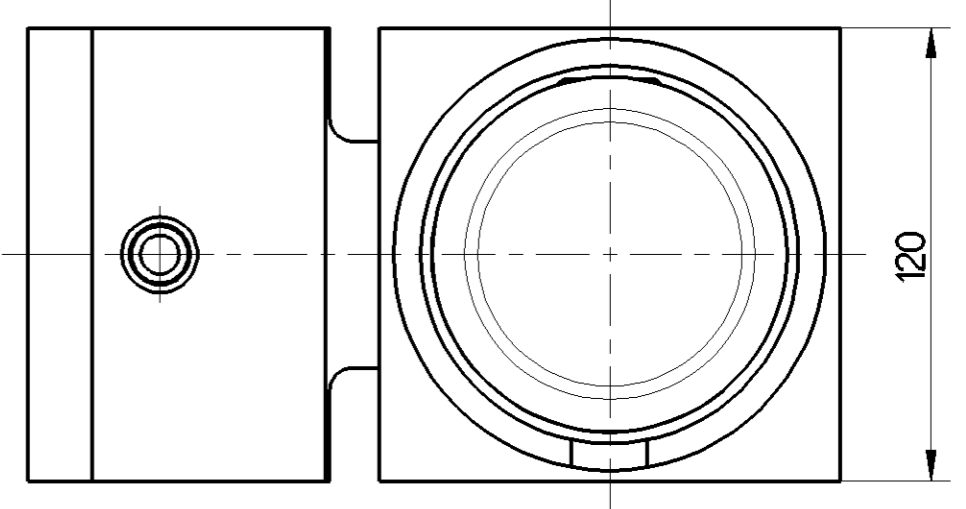
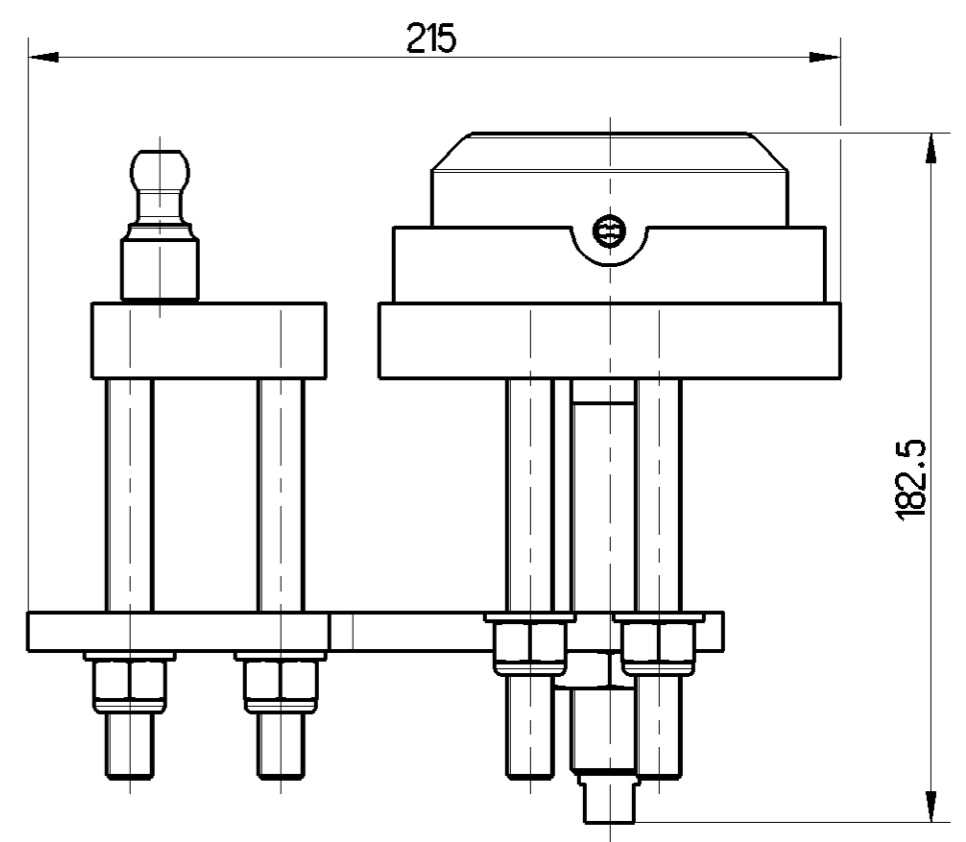
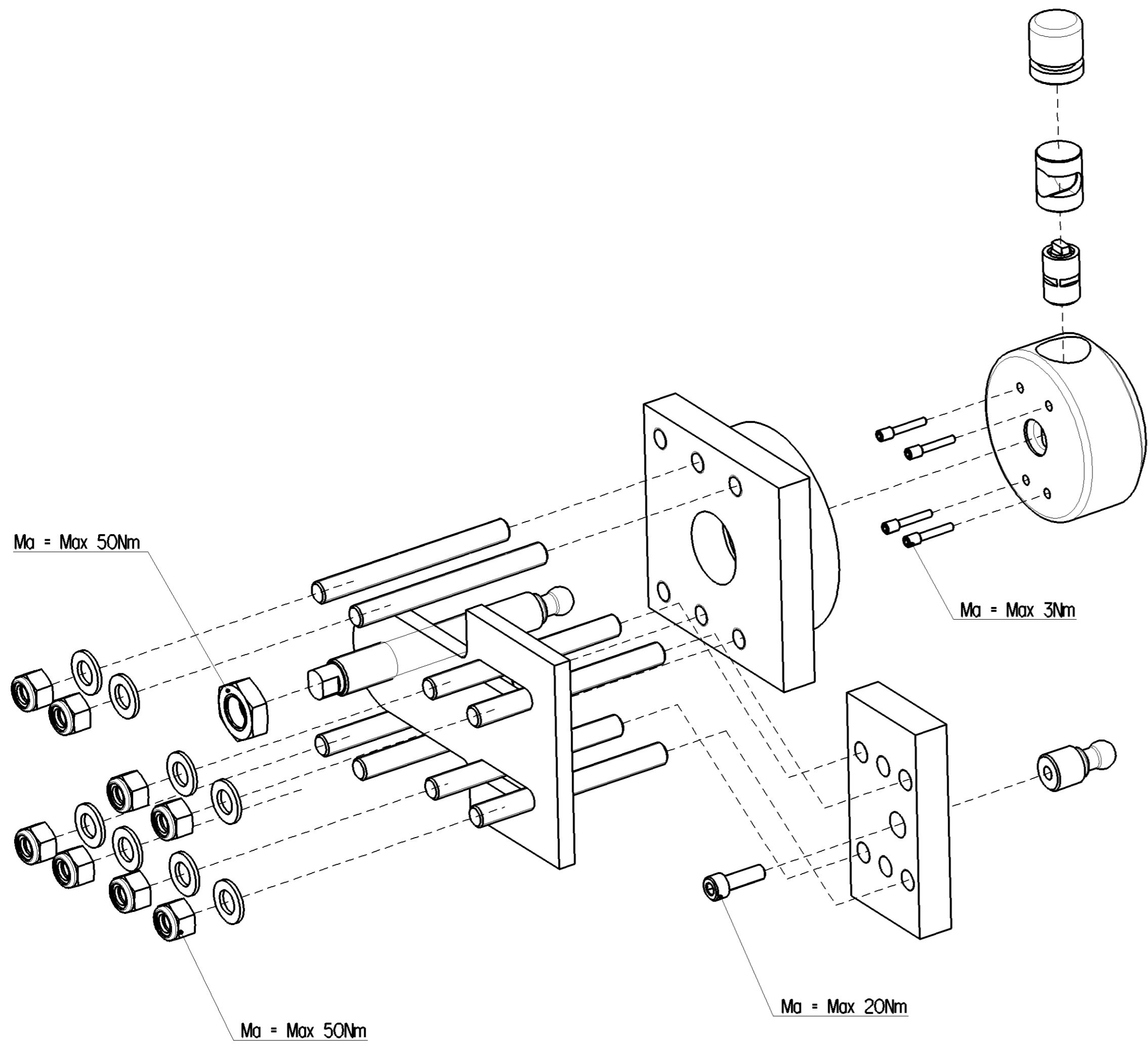


Non è permesso copiare, o terzi o riprodurre questo documento, né utilizzare il contenuto o renderlo comunque noto a terzi senza autorizzazione esplicita. Ogni infrazione costituisce un evidente abuso e comporterà il risarcimento dei danni subiti. E' fatta riserva di tutti i diritti derivanti da brevetti o modelli.

Copyright of this document and giving it to others and the use or communication of the contents hereof, are forbidden without express authority. Contention of this restriction will constitute an evident abuse and result in a liability to the payment of damages. All rights are reserved in the event of the grant of patent or registration of a utility model or design. This document is the subject of copyright.

Toute communication ou reproduction de ce document, toute exploitation ou communication de son contenu sont interdites, sauf autorisation expresse. Tout manquement à cette règle constitue un abus évident et expose son auteur au versement de dommages et intérêts. Tous droits de propriété industrielle réservés, notamment en matière de brevets et de modèles.

Wiedergabe sowie Vervielfältigung dieser Unterlagen, Verwertung und Mitteilung ihres Inhalts nicht gestattet, soweit nicht ausdrücklich ansonsten, weitergegeben, stellen einen offensichtlichen Missbrauch dar und verpflichten zu Schadensersatz. Alle Rechte für den Fall der Patenterteilung oder Gebrauchsmuster-Eintragung vorbehalten.



KEYS AND CARD NOT SHOWN ON THE DRAWING

General Specification: JED-334-1, Size ISO 14405 LP		Copyright WABCO®		WABCO		
Further Technical Data:		Date	Signature			
Doc. Code:	Sheet: To	2019-05-21	Matros	Date of first issue: 2018-08-31		
General Tolerances JED-261		Checked		Doc.Code Language Sheet		
Range of Nominal Dimensions (± mm)		2019-05-21	Sulej	005 EN 1/1		
Class 1)	≤ 50 > 50 ≤ 180 > 180 ≤ 400 > 400	Expert		Material No.		
Fine	0.5 1.0 1.5 2.0	Sulej		183 410 006 2		
Medium	1.0 2.0 3.0 4.0	Mass	Scale	Date of first issue: 2018-08-31		
Coarse	2.0 3.5 5.0 6.5	7.536 kg	1:2	Doc.Code Language Sheet		
Tapped Holes acc.		Size	CAD System	005 EN 1/1		
1) Tolerance Class Applied Crossmarked		A 2	CREO	ECN-No. Revision Techn. Resp. Replacement for		
		501296	-	B 6052		

100mm