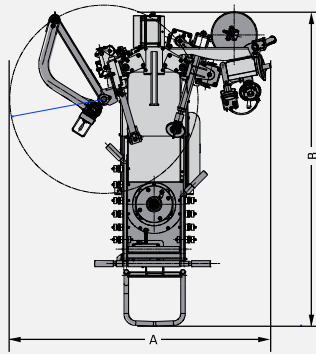
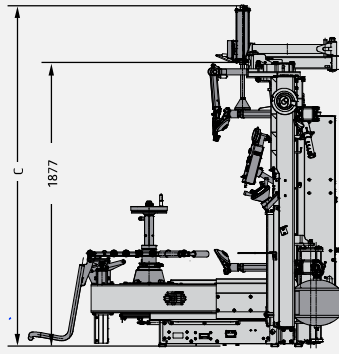
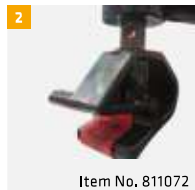
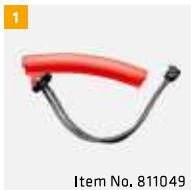


AIKIDO.EVO PREMIUM



Model	AIKIDO.EVO PREMIUM
Clamping capacity min.	10" - 34"
Rim width max.	15"
Wheel width max.	381 mm
Wheel diameter max.	1270 mm
Automatic bead-breaking movement	Yes
Bead-breaking force	12 kN
Rotation speed	0-15 rpm
Max. torque	1177 Nm
Power inverter motor	1,5 kW
Driving power	0,75 kW
Power supply	230 V
Phases	1
Fuse protection	16 A slow-blow
A Width	1700 mm
B Depth	2300 mm
C Height	2250 mm
Weight	480 kg
Article number (RAL3002)	812796
Article number (RAL7016)	812797

SCOPE OF DELIVERY



- 1 Rim flange plastic protection
- 2 WDK bead pressing device
- 3 Magic cord with traction
- 4 Bead protection foils
- 5 Mounting tool