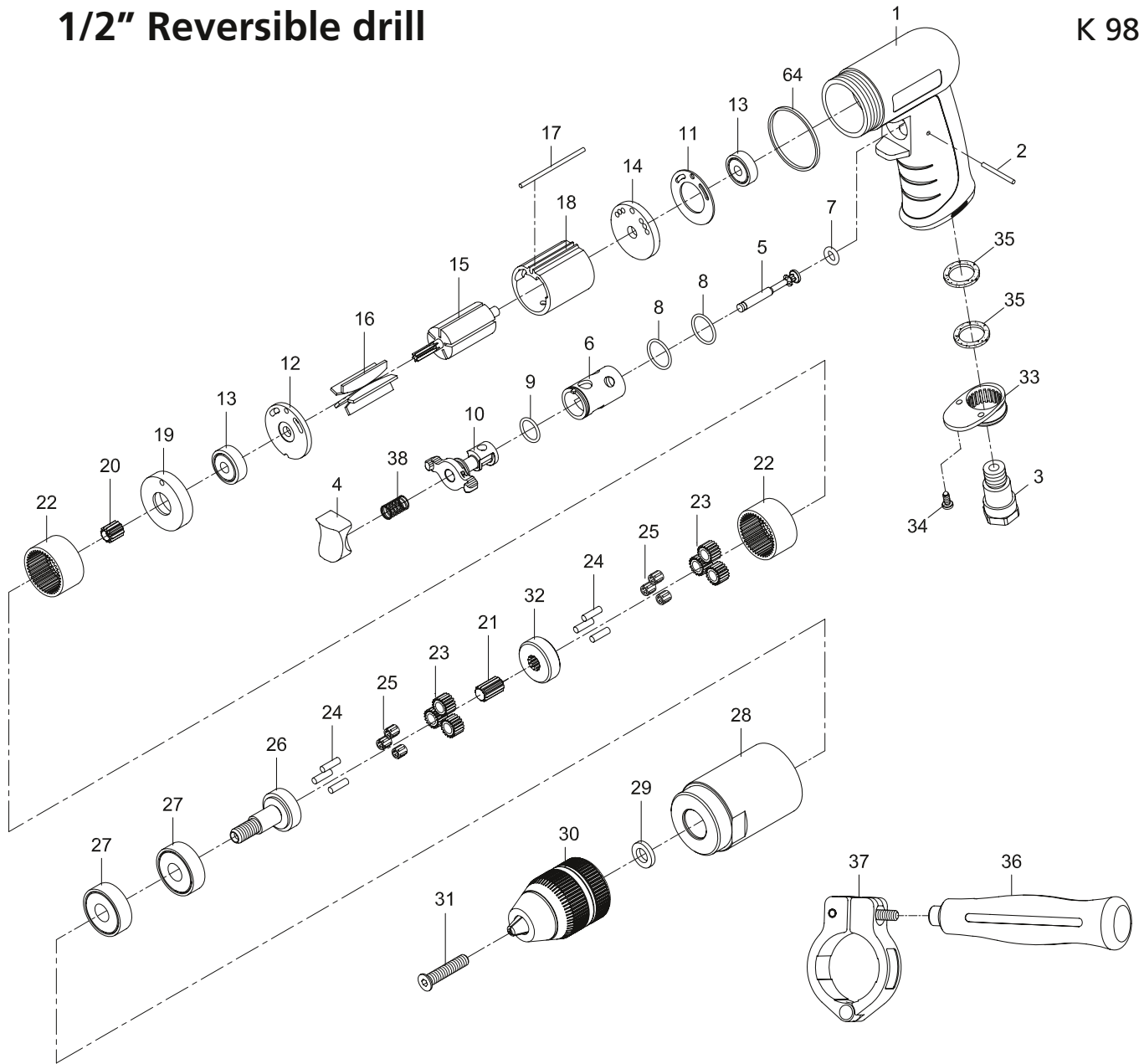


1/2" Reversible drill

K 9816



KR 9816-1 Engine repair kit: Pos 2, 7, 8, 9, 11, 16, 38, 64

KR 9814-2 Gearing repair kit: Pos 11, 13, 27, 64

KR 9816-3 Industrial keyless chuck 1/2": Pos 30

KR 9814-4 Throttle set: Pos 2, 4, 5, 7, 38

KR 9814-5 Air inlet kit: Pos 3, 33, 35

KR 9816-4 Handle: Pos 36, 37

Pos.	Parts No.	Description
1		Motor housing
2	KR 9816-1, KR 9814-4	Pin
3	KR 9814-5	Air inlet
4	KR 9814-4	Trigger
5	KR 9814-4	Valve stem
6		Valve bushing
7	KR 9816-1, KR 9814-4	O-ring
8	KR 9816-1	O-ring (2 pcs.)
9		O-ring
10		Reverse lever
11	KR 9816-1, KR 9816-2	Motor gasket
12		End plate
13	KR 9814-2	Ball bearing (2 pcs.)
14		Rear end plate
15		Rotor
16	KR 9816-1	Rotor blade (5 pcs.)
17		Pin
18		Cylinder
19		Front end plate
20		Pinion gear

Pos.	Parts No.	Description
21		Center gear
22		Internal gear (2 pcs.)
23		Planet gear (6 pcs.)
24		Pin (6 pcs.)
25		Needle bearing (6 pcs.)
26		Work spindle
27	KR 9814-2	Ball bearing (2 pcs.)
28		Clamp nut
29		Washer
30	KR 9816-3	Industrial keyless chuck 1/2"
31		Screw
32		Reduction spindle
33	KR 9814-5	Exhaust diffuser
34		Screw (2 pcs.)
35	KR 9814-5	Damping material (2 pcs)
36	KR 9816-4	Handle
37	KR 9816-4	Retainer
38	KR 9816-1, KR 9814-4	Valve spring
64	KR 9816-1, KR 9814-2	Decoration ring