

## REPLACEMENT PART #'S

<b>Part#</b>	<b>Description</b>
<b>71500-001</b>	Crimper Assembly
<b>71500-6</b>	Die Set #6 (5/16") & #8 Reduced Barrier (13/32")
<b>71500-8</b>	Die Set #8 (13/32")
<b>71500-10</b>	Die Set #10 (1/2")
<b>71500-12</b>	Die Set #12 (5/8")
<b>71550-PB</b>	Die Set Plastic Box

### *Additional Reduced Barrier Die Sets Available*

<b>Part#</b>	<b>Description</b>
<b>71500-6SRB</b>	Die Set #6 (5/16" Reduced Barrier)
<b>71500-10SRB</b>	Die Set #10 (1/2" Reduced Barrier)
<b>71500-12SRB</b>	Die Set #12 (5/8" Reduced Barrier)

**For Warranty Service:**  
**Toll Free: 1-888-825-6989**  
**E-mail: [techs@mastercool.com](mailto:techs@mastercool.com)**



**Mastercool<sup>®</sup> Inc.**  
*"World Class Quality"*

## Instructions 71550 **A/C HOSE CRIMPER**

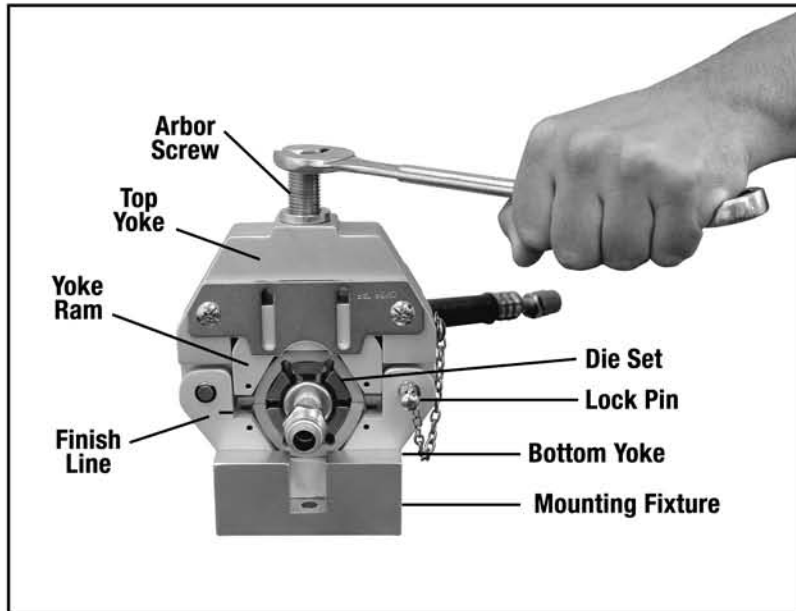


**WARNING**



**WEAR  
 SAFETY  
 GOGGLES!**

# A/C HOSE CRIMPER 71550



## PRE-OPERATION SET-UP

- *Crimper can be mounted to a work bench or held in a vice.*

**READY TO GO!**



**WARNING**



**Wear Safety Goggles**

## OPERATING INSTRUCTIONS

**Warning: DO NOT tighten the crimper without having a hose and fitting in place to crimp. This could damage the tool. Also, be careful not to place hands near any pinch points while using the tool!**

1. Remove pin and open top yoke.

**\*Note: It may be necessary to turn the arbor screw counter clock-wise until top yoke can be opened.**

2. Select correct die set:

### Standard Hose

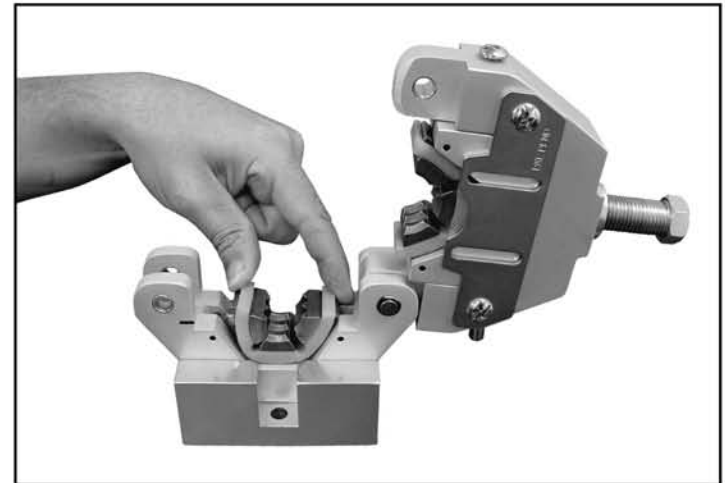
#6 (5/16") - Purple

#10 (1/2") - Yellow

#8 (13/32") - Red

#12 (5/8") - Green

**\*Note: Be sure to use correct size die set! Failure to do so could cause leakage or failure of the crimp!**



3. Insert dies into yoke.
4. Place the fitting and hose in crimper and close top yoke.
5. Insert pin securely.

**\*Note: Make sure pin snaps securely into place before crimping process is started.**

6. Position the hose fitting into the center of the dies.
7. Turn the arbor screw clockwise until the bottom of the yoke ram meets the finish line (approximately 1/8" from the bottom yoke).
8. Check crimp for correct compression; continue to tighten screw if additional compression is required.

**\*Note: Never use impact or power drivers.**

9. Once crimp is complete, turn arbor screw counter clock-wise until it stops.
10. Remove holding pin and open yoke.
11. Remove hose assembly.