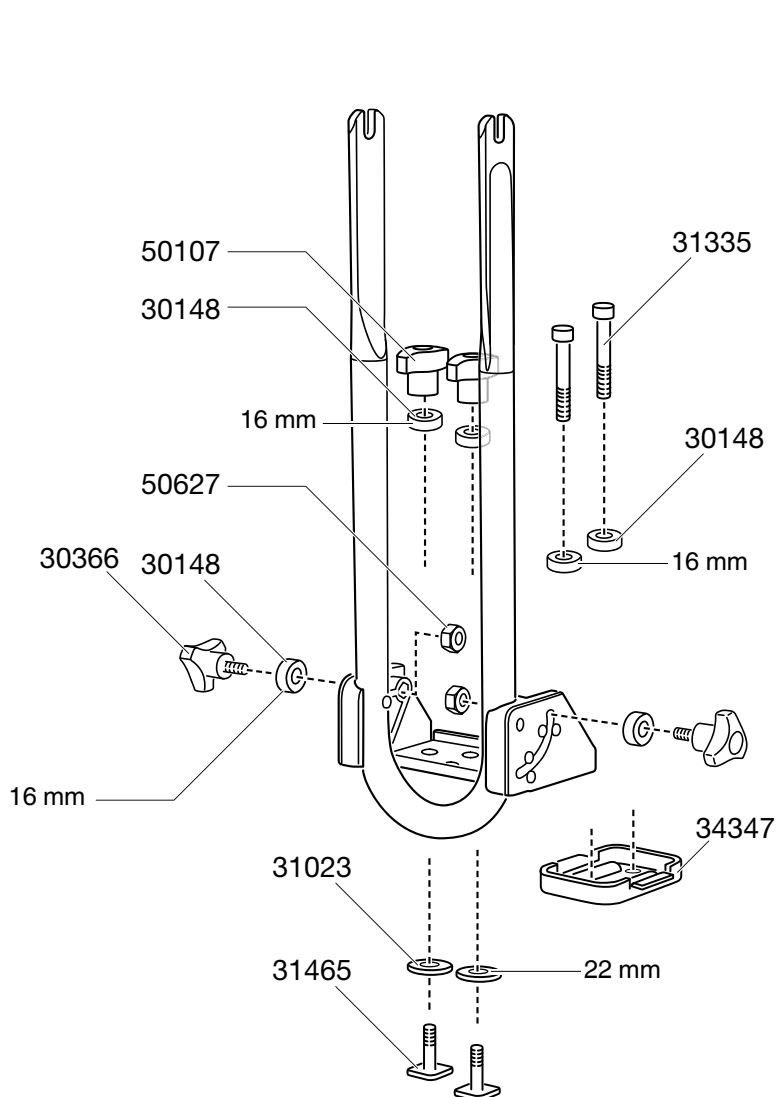


**545-2**/545200

**5** års garanti  
years warranty  
Jahre Garantie  
ans de garantie



### Individual packs

### Pallet

Product	EAN	Kg	L/W/H in cm
545-2	7313020049557	1,2	49x16x9,1

Product	Qty/kg	L/W/H in cm
545-2	110/132	100/80/13