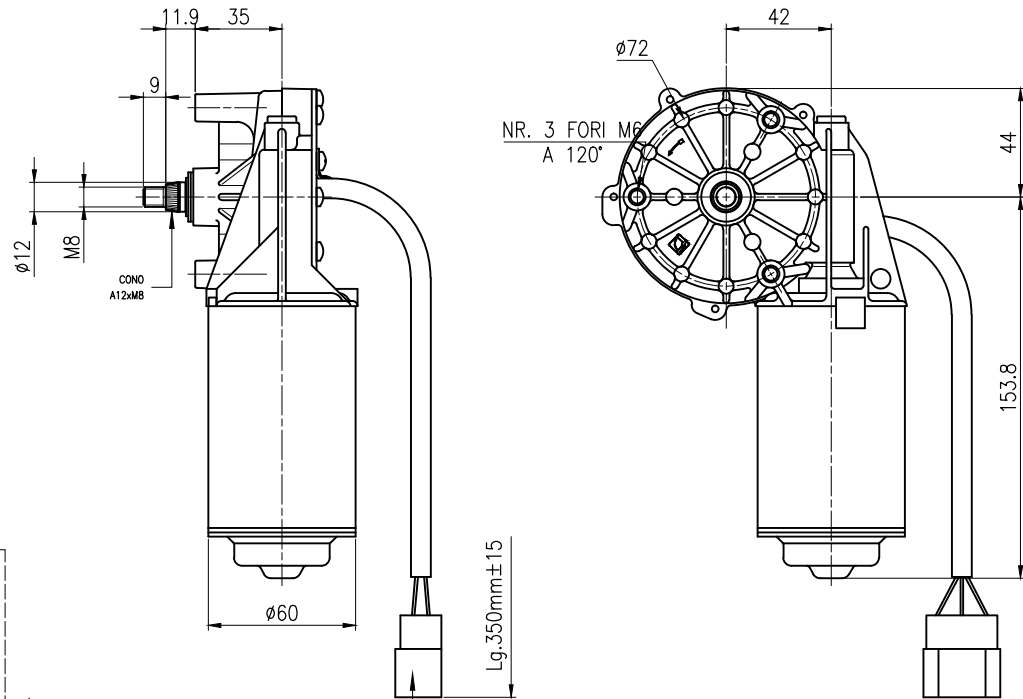
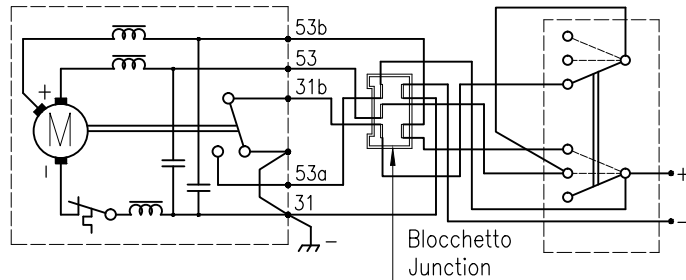


Caratteristiche del motore				
Dati di marcia a vuoto				Coppia di spunto ≥45Nm
Velocità	Intensità corr.	Rpm		
n1	≤ 1.5 A	33 ±5		
n2	≤ 2.2 A	50 ±5		
Tensione di prova 13 V				
Motor performances				
No load working datas				Static torque ≥45Nm
Speed	Curr. intensity	Rpm		
n1	≤ 1.5 A	33 ±5		
n2	≤ 2.2 A	50 ±5		
Test voltage 13 V				



Schema di connessione (Blocchetto visto di fronte)
Wiring diagram (Junction block front side view)



Blocchetto tipo AMP C-180906
Junction type AMP C-180906

Legenda

- 53b Grigio (2 Velocità)
- 31b Azzurro-Bianco (Azzeramento)
- 53 Azzurro (1 Velocità)
- 53a Azzurro-Nero (Positivo)
- 31 Nero (Negativo)

Legend

- Gray (Second speed)
- Blue-White (Stop)
- Blue (First speed)
- Blue-Black (Positive)
- Black (Negative)

<table border="1"> <thead> <tr> <th colspan="3">Tolleranze Generiche</th> </tr> <tr> <th>DA</th> <th>A</th> <th>VAL.</th> </tr> </thead> <tbody> <tr> <td>0</td> <td>≤6</td> <td>+0.1</td> </tr> <tr> <td>>6</td> <td>≤30</td> <td>+0.2</td> </tr> <tr> <td>>30</td> <td>≤120</td> <td>+0.3</td> </tr> <tr> <td>>120</td> <td>≤315</td> <td>+0.5</td> </tr> <tr> <td>>315</td> <td>≤1000</td> <td>+0.8</td> </tr> <tr> <td>>1000</td> <td>≤2000</td> <td>+1.2</td> </tr> <tr> <td>>3</td> <td>≤6</td> <td>+1'</td> </tr> <tr> <td>>6</td> <td>≤30</td> <td>+30'</td> </tr> <tr> <td>>30</td> <td>≤120</td> <td>+20'</td> </tr> <tr> <td>>120</td> <td>+10'</td> <td></td> </tr> </tbody> </table>	Tolleranze Generiche			DA	A	VAL.	0	≤6	+0.1	>6	≤30	+0.2	>30	≤120	+0.3	>120	≤315	+0.5	>315	≤1000	+0.8	>1000	≤2000	+1.2	>3	≤6	+1'	>6	≤30	+30'	>30	≤120	+20'	>120	+10'			Denominazione ITG 42 12V 2v 1pr coll Din EMC + termica	Materiale
	Tolleranze Generiche																																						
	DA	A	VAL.																																				
	0	≤6	+0.1																																				
>6	≤30	+0.2																																					
>30	≤120	+0.3																																					
>120	≤315	+0.5																																					
>315	≤1000	+0.8																																					
>1000	≤2000	+1.2																																					
>3	≤6	+1'																																					
>6	≤30	+30'																																					
>30	≤120	+20'																																					
>120	+10'																																						
Modello		Treatmento																																					
Succede al codice	Scala 1:2 Codice sperimentale	Codice disegno																																					
Data 07/10/2009 Firma Denis.H Visto		M54.006017																																					