

RDW  
Certification and Supervision Centre  
Europaweg 205  
P.O.Box 777  
2700 AT Zoetermeer  
The Netherlands

Subject for ECE-type approval extension

Dear Sir,

We hereby apply for type approval extension according to:

Function	ECE Regulation
Front Position Lamp	<u>E4-7R-028114 Ext.01</u>

Trade name or trade mark :  ; K&T; VALUEFIT

Manufacturer's name for type of device : AL27-FPL

Name and address of manufacturer : Shanghai CATA Signal Co., Ltd.  
No.89, Nanxuan Road, Nanhui Industrial Park,  
201314, Shanghai,  
P.R. China

Name and address of representative of manufacturer : AREV-lighting e.K.  
Nahestr.85, 53757 Sankt Augustin, Germany

We herewith declare that we have not applied and will not apply for approval with another Contracting Party of the ECE for the same type of product. Nor has any other member state granted a corresponding approval.

Sincerely

 Zhang Wen Hu

Mr. Zhang Wenhui / General Manager

Date: August 24, 2014

THIS APPLICATION IS ACCOMPANIED BY

- Information folder No. AL27-FPL-01 for the devices
- The test reports




**THE NETHERLANDS  
(N E D E R L A N D)****COMMUNICATION**Concerning <sup>(1)</sup>:

- ~~approval granted~~
- approval extended
- ~~approval refused~~
- ~~approval withdrawn~~
- ~~production definitely discontinued~~

of a type of device pursuant to Regulation number 7.

**Approval number: E4-7R-028114****Extension number: 01**

1. Trade name or mark of the device :  ; K&T; VALUEFIT
2. Manufacturer's name for the type of device : AL27-FPL
3. Manufacturer's name and address : Shanghai CATA Signal Co., Ltd.  
No.89, Nanxuan Road, Nanhui Industrial Park,  
201314, Shanghai,  
P.R. China
4. If applicable, name and address of the manufacturer's representative : AREV-lighting e.K.  
Nahestr.85, 53757 Sankt Augustin, Germany
5. Submitted for approval on : September 08, 2014
6. Technical service responsible for conducting approval tests : TÜV Rheinland Kraftfahrt GmbH  
Technologiezentrum Verkehrssicherheit  
Am Grauen Stein  
D-51105 Köln (Poll)
7. Date of report issued by that service : September 09, 2014
8. Number of report issued by that service : 87-R7-1050/14-00



9. Concise description
- 9.1 By category of lamp : Front position lamp, category A
- For mounting either outside or inside or both : outside / ~~inside~~ / both<sup>(1)</sup>
- Colour of light emitted : ~~red~~ / white<sup>(1)</sup>
- Number and category(ies) of light source(s) : 4 LEDs, non-replaceable light source
- Voltage and wattage : 12V/24V, 0.4W
- Light source module specific identification code : not applicable
- Only for installation on M1 and/or N1 category vehicles : ~~yes~~/no<sup>(1)</sup>
- Only for limited mounting height of equal to or less than 750 mm above the ground : ~~yes~~/no<sup>(1)</sup>
- Geometrical conditions of installation and relating variations, if any : Please refer to the information document.
- Application of an electronic light source control gear/variable intensity control : not applicable
- (a) being part of the lamp : ~~yes~~/no<sup>(1)</sup>
- (b) being not part of the lamp : ~~yes~~/no<sup>(1)</sup>
- Input voltage(s) supplied by an electronic light source control gear/variable intensity control : not applicable
- Electronic light source control gear/variable intensity control manufacturer and identification number (when the light source control gear is part of the lamp but is not included into the lamp body) : not applicable
- Variable luminous intensity : ~~yes~~/no<sup>(1)</sup>
- 9.2 Function(s) produced by an interdependent lamp forming part of an interdependent lamp
- Front position lamp : ~~yes~~/no<sup>(1)</sup>
- R1 Rear position lamp : ~~yes~~/no<sup>(1)</sup>
- R2 Rear position lamp : ~~yes~~/no<sup>(1)</sup>
- S1 Stop lamp : ~~yes~~/no<sup>(1)</sup>
- S2 Stop lamp : ~~yes~~/no<sup>(1)</sup>
- S3 Stop lamp : ~~yes~~/no<sup>(1)</sup>
- S4 Stop lamp : ~~yes~~/no<sup>(1)</sup>
- End-outline marker lamp : ~~yes~~/no<sup>(1)</sup>
10. Position of the approval mark : on the lens

11. Reason(s) for extension (if applicable) : Addition of trade mark and electrical parts
12. Approval : ~~granted/extended/refused/withdrawn~~ <sup>(1)</sup>
13. Place : Zoetermeer
14. Date : 24-SEP-2014
15. Signature :



  
Uwe Löbig

16. The list of documents deposited with the Administrative Service which has granted approval is annexed to this communication and may be obtained on request.

---

<sup>(1)</sup> Strike out what does not apply.

1. Specification data

Type		AL27-FPL
Function		Front Position Lamp
Color		White
Rated	Voltage	12V / 24V
	Wattage	0.4W
Applicable Regulation (ECE)	ECE R7.02 (category A)	
Number and category of light source		4 LEDs, non-replaceable light source
Location Of marking	Rated voltage and wattage	Marked on housing
	Trade mark	 ;  ; K&T; VALUEFIT
		Marked on lens
Approval mark	Marked on lens	

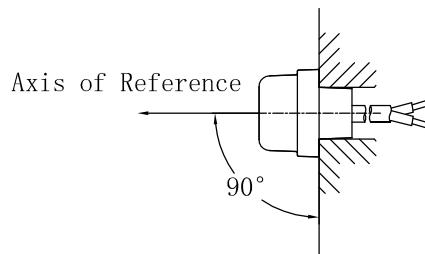
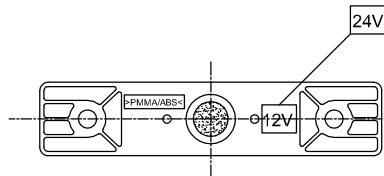
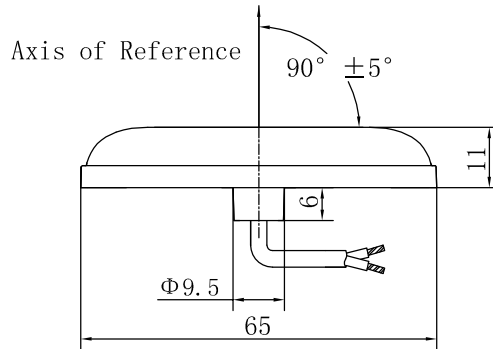
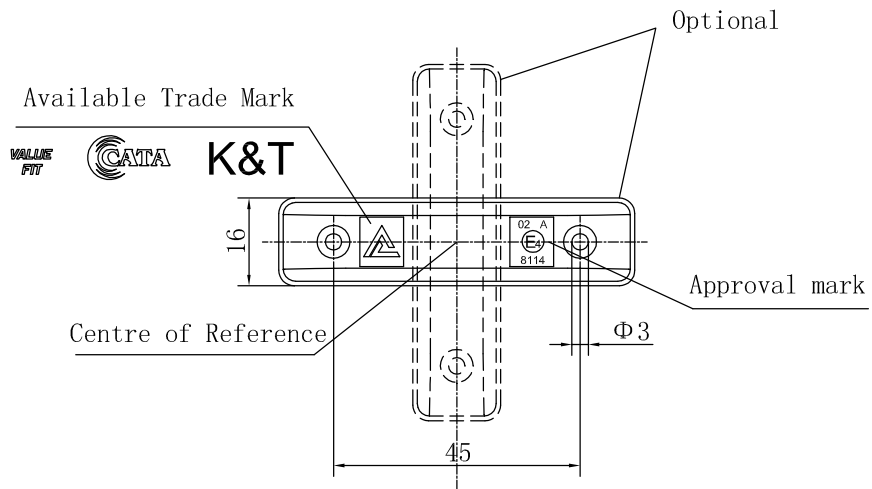
2. Construction and material

Construction	Material	Remarks
Lens	PMMA	Transparent
Housing	ABS	---
Electrical wiring	Copper covered with insulation	

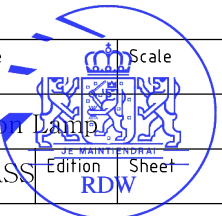
3. Name and address of manufacturer : Shanghai CATA Signal Co., Ltd.  
No.89, Nanxuan Road, Nanhui Industrial Park,  
201314, Shanghai,  
P.R. China

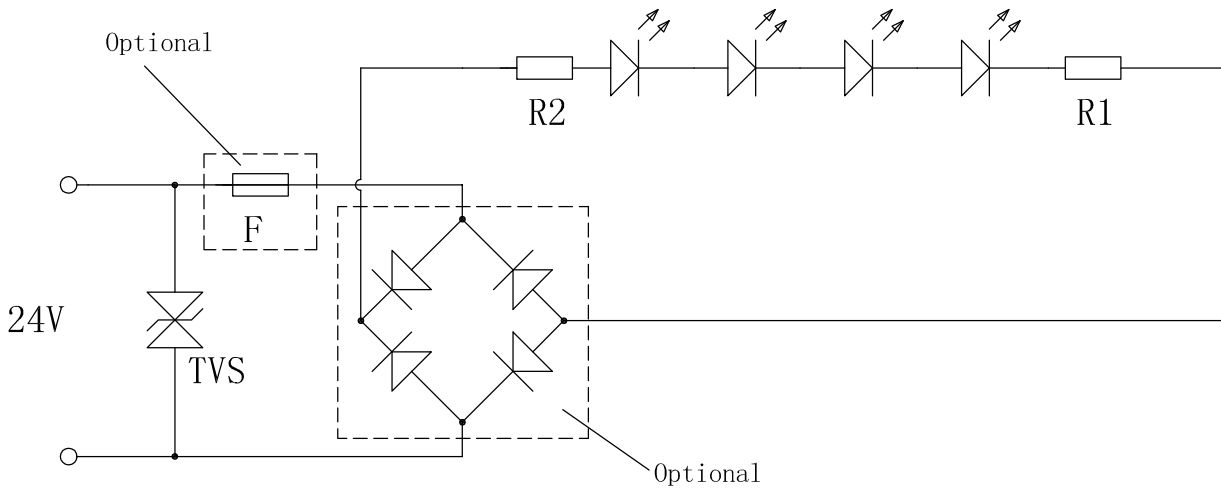
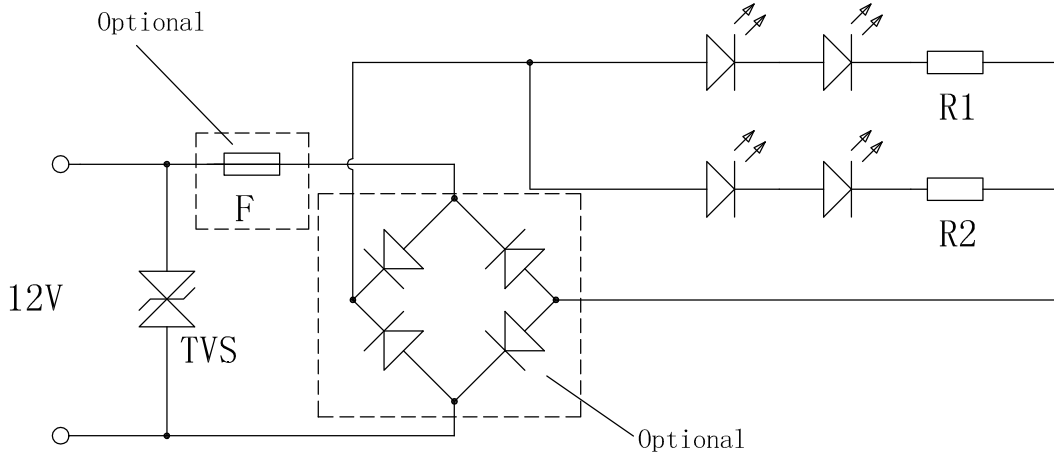
4. Name and address of representative of manufacturer : AREV-lighting e.K.  
Nahestr.85, 53757 Sankt Augustin, Germany



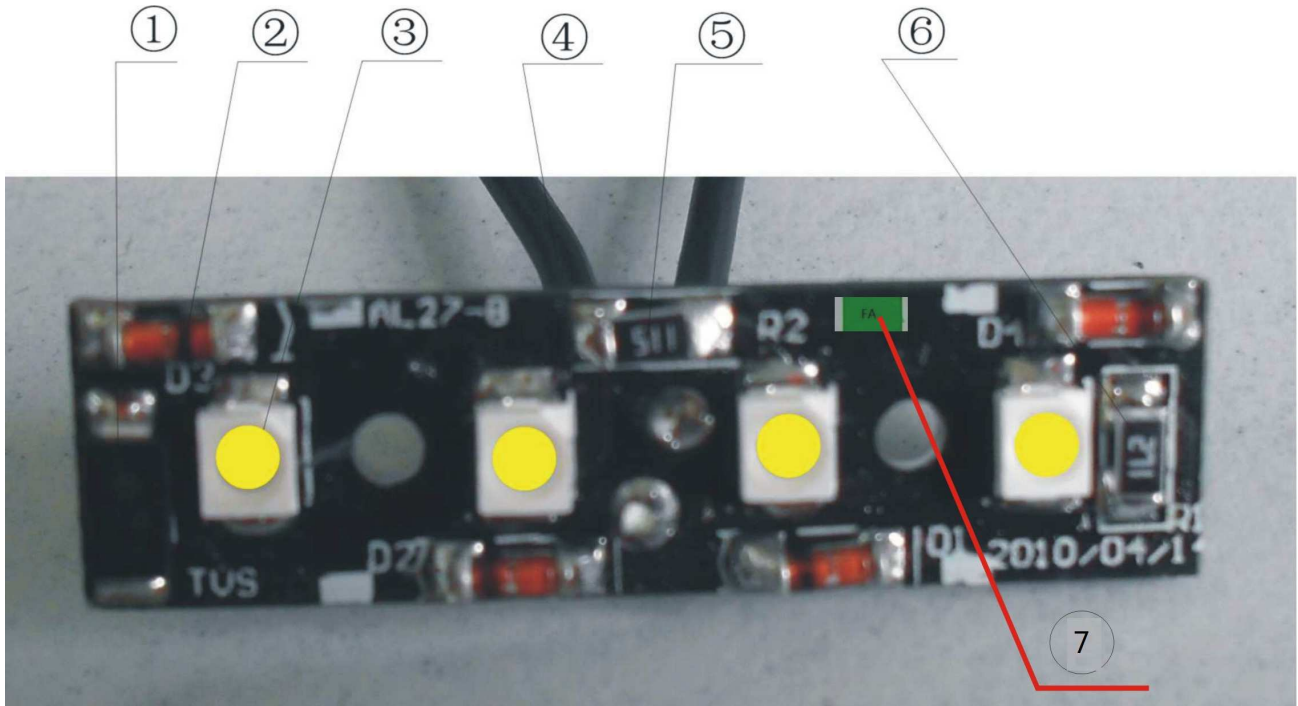


Designed by	Checked by	Approved by - date	Material	Date	Scale
			Front Position Lamp		
Drawing No. AL27-FPL-ASS			Edition Sheet		





Designed by	Checked by	Approved by - date	Material	Date	Scale
			Circuit Diagram		
Drawing No.		AL27-FPL		Edition Sheet	
				RDW	



Bill of Materials

No.	Park Name	Type	Drawing No.	Qty	Remark
1	Suppressor diode	SMAJ20A	TVS	1	For 12V
	Suppressor diode	SMAJ36CA	TVS	1	For 24V
2	Diode	4148		4	Optional
3	LED	3528		4	white
4	wire	2*0.5 <sup>2</sup>		2	
5	Resistance	1/4W	R1	1	
6	Resistance	1/4W	R2	1	
7	Resettable Fuse		F	1	Optional





Manufacturer : Shanghai CATA Signal Co., Ltd.  
Type : AL27-FPL

## TEST REPORT

according to UNECE-Regulation

**Uniform provisions concerning the approval of front and rear position (side) lamps, stop-lamps and end-outline marker lamps for power-driven vehicles and their trailers**

### ECE-R7

including all amendments until

**series of Amendments: 02  
Supplement 19**

Approval status	
UNECE approval	: <u>E4-7R-028114 Ext.01</u>

Structure of report:

0. general information
1. Tested ~~vehicle(s)~~ object(s)
2. Test record
3. Remarks concerning tested object(s)
4. Appendices
5. Statement of conformity

Manufacturer : Shanghai CATA Signal Co., Ltd.  
Type : AL27-FPL

## 0. General Information

- 0.1. Make (trade name of the manufacturer) :  ; K&T; VALUEFIT
- 0.2. Type : AL27-FPL
- 0.3. Category of vehicle : Not applicable
- 0.4. Name and address of the manufacturer : Shanghai CATA Signal Co., Ltd.  
No.89, Nanxuan Road, Nanhui Industrial Park,  
201314, Shanghai,  
P.R. China
- 0.5. No. of the information folder : AL27-FPL-01  
-Date of issue : August 24, 2014  
-Date of last change : April, 28, 2010

## 1. Tested vehicle(s) / object(s)

- 1.1 Description
- 1.1.1 ~~Vehicle~~ / object :  
Commercial description : Not applicable  
Type(s) / ~~variant(s)~~ / version(s) : AL27-FPL
- |           | resettable fuse                     | bridge rectifiers                   |
|-----------|-------------------------------------|-------------------------------------|
| Version1: | <input checked="" type="checkbox"/> | <input checked="" type="checkbox"/> |
| Version2: | <input checked="" type="checkbox"/> | <input checked="" type="checkbox"/> |
| Version3: | <input checked="" type="checkbox"/> | <input checked="" type="checkbox"/> |
| Version4: | <input checked="" type="checkbox"/> | <input checked="" type="checkbox"/> |
- Remarks : Non-replaceable light sources, 4 LEDs, 0.4W, 12V/24V
- 1.1.2 Condition of vehicle(s)/Object(s) : ~~new, used, pretested~~
- 1.2 Worst case selection : The determination of worst case scenario was done according QMA 1.301.005, section 6.2.2.2
- 1.2.1. Test date : September 08, 2014
- 1.2.2. Test site : Shanghai Motor Vehicle Inspection Center  
68, Yutian South Road, Anting, Jiading, 201805,  
Shanghai, P.R.China
- 1.3. Remarks : The results of the test refer exclusively to the object(s) mentioned under point 1.1 of this report.

Manufacturer : Shanghai CATA Signal Co., Ltd.  
 Type : AL27-FPL

## 2. Test record

2.1. Test facilities : The test facilities are in compliance with the requirements of the regulation.

2.2. Test results : The type has been tested according to the modification(s) mentioned in appendix 0.

The new parts meet the requirements of the regulation.

~~An actual practical test of the type was not necessary. The results of the previous test(s) are still valid.~~

Markings : The trade mark is marked clearly legible and indelible on the lens ~~and on the housing~~ of the lamp.

The rated voltage and rated wattage are clearly legible and indelible marked ~~on the lens and on the housing~~ of the lamp.

Space for the approval mark and for additional symbols is provided on the lens ~~and on the housing~~.

2.3. General specifications : The lamps are designed and made that under normal use their satisfactory operation is ensured and they retain the required characteristics.

The colour of the light emitted is within the limits of the coordinates for **WHITE** as prescribed in Paragraph 8 of the Regulation.

2.4. Photometric tests : The light intensity was measured after 1 minute burning period and after 30 minutes burning. The light intensity and its distribution are in compliance with the requirement after 1 minute burning period and after 30 minutes burning period.

The light distribution angles and levels of intensity have been measured in accordance with Annex 4 of the Regulation, based on the manufacturer's indication of the centre of reference and axis of reference.

The lamp containing more than one light source complies with the minimum intensity required when any one light source has failed.

Manufacturer : Shanghai CATA Signal Co., Ltd.  
 Type : AL27-FPL

**Version 1:**

Results of photometric tests of the **front position lamp, category A (12V)**

measured after 1 minute burning period when all light sources lit

	light intensity of the lamps in reference axis [cd]	allowable maximum	required minimum
sample No. 1	<u>18.9</u>	140	4
sample No. 2	<u>19.4</u>	140	4

measured after 30 minute burning period when all light sources lit

distribution of the intensity of the lamps in [cd]								
horizontal angle		L20°	L10°	L5°	V	R5°	R10°	R20°
vertical angle required minimum intensity	U10°	-	-	0.8	-	0.8	-	-
	U5°	0.4	0.8	-	2.8	-	0.8	0.4
	H	-	1.4	3.6	4	3.6	1.4	-
	D5°	0.4	0.8	-	2.8	-	0.8	0.4
	D10°	-	-	0.8	-	0.8	-	-
vertical angle sample no. 1	U10°			<u>12.1</u>		<u>9.6</u>		
	U5°	<u>8.1</u>	<u>16.4</u>		<u>16.8</u>		<u>11.9</u>	<u>3.9</u>
	H		<u>17.9</u>	<u>19.7</u>	<u>22.8</u>	<u>18.4</u>	<u>16.5</u>	
	D5°	<u>5.3</u>	<u>16.2</u>		<u>21.2</u>		<u>10.5</u>	<u>11.0</u>
	D10°			<u>24.2</u>		<u>20.1</u>		
vertical angle sample no. 2	U10°			<u>16.4</u>		<u>15.2</u>		
	U5°	<u>11.0</u>	<u>18.5</u>		<u>17.9</u>		<u>15.6</u>	<u>9.6</u>
	H		<u>18.2</u>	<u>19.0</u>	<u>23.3</u>	<u>18.3</u>	<u>12.1</u>	
	D5°	<u>13.2</u>	<u>21.5</u>		<u>19.1</u>		<u>18.6</u>	<u>11.0</u>
	D10°			<u>20.7</u>		<u>20.3</u>		

	sample no. 1	sample no. 2	allowable maximum	required minimum
maximum intensity [cd]	<u>25.2</u>	<u>25.8</u>	140	4
minimum intensity in the fields defined in Annex 1 of the Regulation [cd]	<u>0.52</u>	<u>0.44</u>	--	0.05

Manufacturer : Shanghai CATA Signal Co., Ltd.  
 Type : AL27-FPL

Results of photometric tests of the front position lamp, category A (24V)

measured after 1 minute burning period when all light sources lit

	light intensity of the lamps in reference axis [cd]	allowable maximum	required minimum
sample No. 1	<u>17.2</u>	140	4
sample No. 2	<u>17.8</u>	140	4

measured after 30 minute burning period when all light sources lit

distribution of the intensity of the lamps in [cd]								
horizontal angle		L20°	L10°	L5°	V	R5°	R10°	R20°
vertical angle required minimum intensity	U10°	-	-	0.8	-	0.8	-	-
	U5°	0.4	0.8	-	2.8	--	0.8	0.4
	H	-	1.4	3.6	4	3.6	1.4	-
	D5°	0.4	0.8	-	2.8	-	0.8	0.4
	D10°	-	-	0.8	-	0.8	-	-
vertical angle sample no. 1	U10°			<u>20.5</u>		<u>19.0</u>		
	U5°	<u>11.5</u>	<u>18.5</u>		<u>17.8</u>		<u>17.3</u>	<u>11.1</u>
	H		<u>18.0</u>	<u>17.9</u>	<u>22.6</u>	<u>16.9</u>	<u>17.9</u>	
	D5°	<u>9.8</u>	<u>18.1</u>		<u>19.5</u>		<u>15.4</u>	<u>10.2</u>
	D10°			<u>15.2</u>		<u>16.4</u>		
vertical angle sample no. 2	U10°			<u>20.4</u>		<u>19.8</u>		
	U5°	<u>13.2</u>	<u>19.6</u>		<u>18.0</u>		<u>19.6</u>	<u>11.0</u>
	H		<u>19.2</u>	<u>18.1</u>	<u>23.1</u>	<u>19.4</u>	<u>20.1</u>	
	D5°	<u>13.4</u>	<u>19.8</u>		<u>18.5</u>		<u>19.4</u>	<u>11.3</u>
	D10°			<u>19.5</u>		<u>20.1</u>		

	sample no. 1	sample no. 2	allowable maximum	required minimum
maximum intensity [cd]	<u>24.7</u>	<u>25.5</u>	140	4
minimum intensity in the fields defined in Annex 1 of the Regulation [cd]	<u>0.39</u>	<u>0.38</u>	--	0.05

Manufacturer : Shanghai CATA Signal Co., Ltd.  
 Type : AL27-FPL

**Version 2:**Results of photometric tests of the **front position lamp, category A (12V)**

measured after 1 minute burning period when all light sources lit

	light intensity of the lamps in reference axis [cd]	allowable maximum	required minimum
sample No. 1	<u>18.7</u>	140	4
sample No. 2	<u>19.1</u>	140	4

measured after 30 minute burning period when all light sources lit

distribution of the intensity of the lamps in [cd]								
horizontal angle		L20°	L10°	L5°	V	R5°	R10°	R20°
vertical angle required minimum intensity	U10°	-	-	0.8	-	0.8	-	-
	U5°	0.4	0.8	-	2.8	-	0.8	0.4
	H	-	1.4	3.6	4	3.6	1.4	-
	D5°	0.4	0.8	-	2.8	-	0.8	0.4
	D10°	-	-	0.8	-	0.8	-	-
vertical angle sample no. 1	U10°			<u>11.8</u>		<u>9.5</u>		
	U5°	<u>7.8</u>	<u>15.8</u>		<u>16.4</u>		<u>12.0</u>	<u>3.7</u>
	H		<u>17.6</u>	<u>18.8</u>	<u>22.1</u>	<u>17.8</u>	<u>16.0</u>	
	D5°	<u>10.6</u>	<u>10.0</u>		<u>20.6</u>		<u>15.8</u>	<u>4.8</u>
	D10°			<u>24.0</u>		<u>20.0</u>		
vertical angle sample no. 2	U10°			<u>16.2</u>		<u>15.5</u>		
	U5°	<u>10.8</u>	<u>18.2</u>		<u>18.8</u>		<u>16.6</u>	<u>9.3</u>
	H		<u>19.7</u>	<u>19.5</u>	<u>22.9</u>	<u>19.1</u>	<u>12.5</u>	
	D5°	<u>13.3</u>	<u>20.1</u>		<u>19.0</u>		<u>19.0</u>	<u>10.6</u>
	D10°			<u>20.2</u>		<u>20.1</u>		

	sample no. 1	sample no. 2	allowable maximum	required minimum
maximum intensity [cd]	<u>24.6</u>	<u>23.4</u>	140	4
minimum intensity in the fields defined in Annex 1 of the Regulation [cd]	<u>0.51</u>	<u>0.39</u>	--	0.05

Manufacturer : Shanghai CATA Signal Co., Ltd.  
 Type : AL27-FPL

### Results of photometric tests of the front position lamp, category A (24V)

measured after 1 minute burning period when all light sources lit

	light intensity of the lamps in reference axis [cd]	allowable maximum	required minimum
sample No. 1	<u>16.3</u>	140	4
sample No. 2	<u>17.0</u>	140	4

measured after 30 minute burning period when all light sources lit

distribution of the intensity of the lamps in [cd]								
horizontal angle		L20°	L10°	L5°	V	R5°	R10°	R20°
vertical angle required minimum intensity	U10°	-	-	0.8	-	0.8	-	-
	U5°	0.4	0.8	-	2.8	--	0.8	0.4
	H	-	1.4	3.6	4	3.6	1.4	-
	D5°	0.4	0.8	-	2.8	-	0.8	0.4
	D10°	-	-	0.8	-	0.8	-	-
vertical angle sample no. 1	U10°			<u>18.0</u>		<u>18.3</u>		
	U5°	<u>12.2</u>	<u>18.0</u>		<u>16.0</u>		<u>17.0</u>	<u>11.0</u>
	H		<u>18.3</u>	<u>18.6</u>	<u>24.1</u>	<u>17.7</u>	<u>17.4</u>	
	D5°	<u>9.7</u>	<u>17.0</u>		<u>17.8</u>		<u>16.0</u>	<u>8.6</u>
	D10°			<u>15.0</u>		<u>14.8</u>		
vertical angle sample no. 2	U10°			<u>19.1</u>		<u>19.0</u>		
	U5°	<u>12.7</u>	<u>19.0</u>		<u>17.4</u>		<u>19.0</u>	<u>10.5</u>
	H		<u>18.9</u>	<u>17.5</u>	<u>23.5</u>	<u>18.3</u>	<u>19.1</u>	
	D5°	<u>12.5</u>	<u>19.2</u>		<u>17.7</u>		<u>18.7</u>	<u>10.0</u>
	D10°			<u>19.0</u>		<u>19.3</u>		

	sample no. 1	sample no. 2	allowable maximum	required minimum
maximum intensity [cd]	<u>27.2</u>	<u>25.4</u>	140	4
minimum intensity in the fields defined in Annex 1 of the Regulation [cd]	<u>0.39</u>	<u>0.33</u>	--	0.05

Manufacturer : Shanghai CATA Signal Co., Ltd.  
 Type : AL27-FPL

**Version 3:** Please refer to the previous type approval with E4-7R-028114 Ext.00

**Version 4:**

Results of photometric tests of the **front position lamp, category A (12V)**

measured after 1 minute burning period when all light sources lit

	light intensity of the lamps in reference axis [cd]	allowable maximum	required minimum
sample No. 1	<u>19.1</u>	140	4
sample No. 2	<u>19.5</u>	140	4

measured after 30 minute burning period when all light sources lit

distribution of the intensity of the lamps in [cd]								
horizontal angle		L20°	L10°	L5°	V	R5°	R10°	R20°
vertical angle required minimum intensity	U10°	-	-	0.8	-	0.8	-	-
	U5°	0.4	0.8	-	2.8	-	0.8	0.4
	H	-	1.4	3.6	4	3.6	1.4	-
	D5°	0.4	0.8	-	2.8	-	0.8	0.4
	D10°	-	-	0.8	-	0.8	-	-
vertical angle sample no. 1	U10°			<u>12.2</u>		<u>9.5</u>		
	U5°	<u>8.2</u>	<u>16.2</u>		<u>16.9</u>		<u>12.0</u>	<u>3.9</u>
	H		<u>18.0</u>	<u>19.4</u>	<u>22.7</u>	<u>18.3</u>	<u>16.4</u>	
	D5°	<u>11.3</u>	<u>10.6</u>		<u>20.9</u>		<u>16.4</u>	<u>5.1</u>
	D10°			<u>24.5</u>		<u>20.6</u>		
vertical angle sample no. 2	U10°			<u>16.0</u>		<u>16.2</u>		
	U5°	<u>11.9</u>	<u>18.9</u>		<u>18.3</u>		<u>16.2</u>	<u>10.6</u>
	H		<u>18.6</u>	<u>18.5</u>	<u>23.2</u>	<u>18.9</u>	<u>12.6</u>	
	D5°	<u>13.6</u>	<u>21.4</u>		<u>19.6</u>		<u>18.3</u>	<u>11.3</u>
	D10°			<u>20.4</u>		<u>20.8</u>		

	sample no. 1	sample no. 2	allowable maximum	required minimum
maximum intensity [cd]	<u>25.1</u>	<u>25.1</u>	140	4
minimum intensity in the fields defined in Annex 1 of the Regulation [cd]	<u>0.49</u>	<u>0.42</u>	--	0.05



Manufacturer : Shanghai CATA Signal Co., Ltd.  
 Type : AL27-FPL

Results of photometric tests of the front position lamp, category A (24V)

measured after 1 minute burning period when all light sources lit

	light intensity of the lamps in reference axis [cd]	allowable maximum	required minimum
sample No. 1	<u>17.8</u>	140	4
sample No. 2	<u>18.1</u>	140	4

measured after 30 minute burning period when all light sources lit

distribution of the intensity of the lamps in [cd]								
horizontal angle		L20°	L10°	L5°	V	R5°	R10°	R20°
vertical angle required minimum intensity	U10°	-	-	0.8	-	0.8	-	-
	U5°	0.4	0.8	-	2.8	--	0.8	0.4
	H	-	1.4	3.6	4	3.6	1.4	-
	D5°	0.4	0.8	-	2.8	-	0.8	0.4
	D10°	-	-	0.8	-	0.8	-	-
vertical angle sample no. 1	U10°			<u>18.6</u>		<u>19.0</u>		
	U5°	<u>13.0</u>	<u>18.5</u>		<u>17.3</u>		<u>17.2</u>	<u>12.0</u>
	H		<u>19.0</u>	<u>19.2</u>	<u>25.8</u>	<u>18.5</u>	<u>18.6</u>	
	D5°	<u>10.9</u>	<u>18.3</u>		<u>19.0</u>		<u>16.0</u>	<u>9.7</u>
	D10°			<u>15.9</u>		<u>16.0</u>		
vertical angle sample no. 2	U10°			<u>20.3</u>		<u>20.1</u>		
	U5°	<u>13.6</u>	<u>19.8</u>		<u>17.9</u>		<u>19.6</u>	<u>10.8</u>
	H		<u>19.0</u>	<u>18.2</u>	<u>24.2</u>	<u>19.5</u>	<u>20.0</u>	
	D5°	<u>13.5</u>	<u>19.5</u>		<u>18.1</u>		<u>19.6</u>	<u>11.4</u>
	D10°			<u>19.3</u>		<u>20.0</u>		

	sample no. 1	sample no. 2	allowable maximum	required minimum
maximum intensity [cd]	<u>28.1</u>	<u>27.4</u>	140	4
minimum intensity in the fields defined in Annex 1 of the Regulation [cd]	<u>0.42</u>	<u>0.41</u>	--	0.05

Manufacturer : Shanghai CATA Signal Co., Ltd.  
Type : AL27-FPL

- 2.5. Illuminating surface : Please refer to the previous type approval with E4-7R-028114 Ext.00
- 2.6. Explanatory note : not applicable

### 3. Remark concerning tested object(s)

All versions of the lamps as stated in the information document are covered with the tested version(s) and test object(s) respectively.

### 4. Appendices

- 0 List of modifications
- Information folder no. : AL27-FPL-01

### 5. Statement of conformity

The in point 0.5. mentioned information folder and the type described in that comply with the requirements mentioned on page 1.

With regard to the required level of performance to be achieved, the tested items were representative for the type to be approved (see point 1.2).

The mentioned test results refer to the vehicle(s)/object(s) described under point 1.1. of this report.

Engineering Center Shanghai, September 09, 2014  
HH/EZ



Huang Heng  
Expert Technical Service

Manufacturer : Shanghai CATA Signal Co., Ltd.  
Type : AL27-FPL

List of modifications

Appendix 0

Correction of : ---

Modification of : ---

Addition of : Trade mark;  
resettable fuse and bridge rectifiers as optional electrical parts

Deletion of : ---