

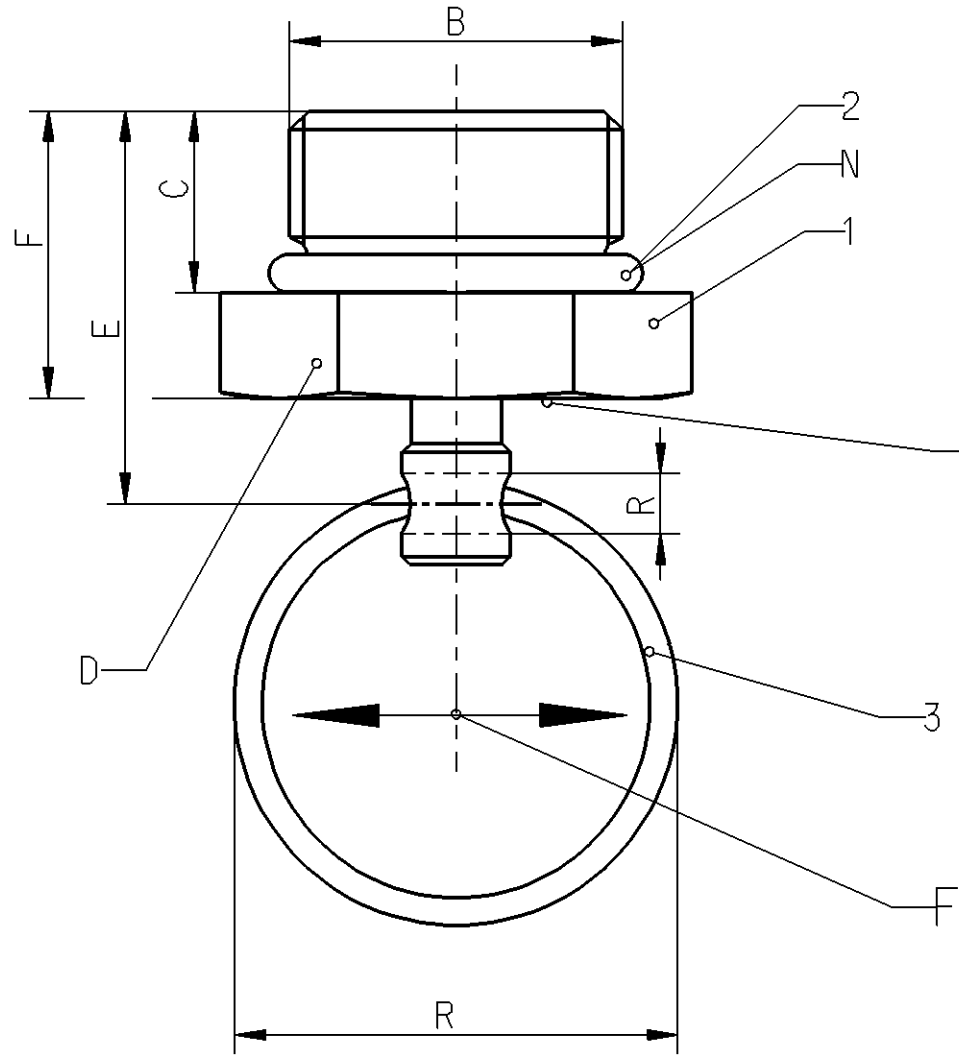
Non e permesso consegnare a terzi o riprodurre questo documento, ne utilizzare il contenuto o renderlo comunque noto a terzi senza autorizzazione esplicita. Ogni infrazione costituisce un evidente abuso e comportera il risarcimento dei danni subiti. E' fatta riserva di tutti i diritti derivanti da brevetti o modelli.

Copying of this document and giving it to others and the use or communication of the contents hereof, are forbidden without express authority. Contravention of this restriction will constitute an evident abuse and result in a liability to the payment of damages. All rights are reserved in the event of the grant of patent or registration of a utility model or design. This document is the subject of copyright.

Toute communication ou reproduction de ce document, toute exploitation ou communication de son contenu sont interdites, sauf autorisation expresse. Tout manquement a cette regle constitue un abus evident et expose son auteur au versement de dommages et interets. Tous droits de proprieete industrielle reserves, notamment en matiere de brevets et de modesles.

Weitergabe sowie Vervielfaeltigung dieser Unterlage, Verwertung und Mitteilung ihres Inhalts nicht gestattet, soweit nicht ausdrucklich zugestanden. Zuwiderhandlungen stellen einen offensichtlichlichen Missbrauch dar und verpflichten zu Schadensersatz. Alle Rechte fuer den Fall der Patenterteilung oder Gebrauchsmuster-Eintragung vorbehalten.

1	2	3	4	5	6	7	8	
A	B	C	D	E	F	G	R	
	M22x1,5	~12	Hex.27 max.Torque 45Nm	~26	~17		without O-ring	DIN74292-C with Ring ⊕ $\varnothing 30 \pm 2$ in Hole $\sim \varnothing 3,5$



Thermal range of application :
 Thermischer Anwendungsbereich : -40 °C to + 80 °C
 Gamme d'application thermique :
 Campo termico d'applicazione :

Admissible working pressure:
 Zulaessiger Betriebsdruck: $P_e \leq 20$ bar
 Pression d'utilisation permissible:
 Pressione di esercizio permissible:

- ① Material : CuZn
- ② Material : None
- ③ Material : Steel
Surface Protection: gal Ni

Marking:
 Markierung:
 Marquage:
 Marcatura:

acc. to 934 300 000 0 Doc.Code 035 General Specification: JED-271 ; JED-622

F max. \leq ~4x40N at 7Bar

General Specification: JED-334-0		Copyright WABCO®		WABCO						
Further Technical Data:		Date	Signature							
Doc. Code:	Sheet: To	Drawn		Drain Valve Ablassventil Valve de purge Valvola di scarico						
General Tolerances JED-261		2009-11-05	wcadmin							
Range of Nominal Dimensions (± mm)		Checked								
Class 1)		2009-11-05	Maertin							
		Expert		Czapiewski						
Fine	0.5	1.0	1.5	2.0	Mass	Scale	Material No.	Date of first issue: 2008-12-16		
Medium	1.0	2.0	3.0	4.0	0,048	/	934 300 003 0	Doc.Code	Language	Sheet
Coarse	2.0	3.5	5.0	6.5	Size	CAD System		005	ML	1/1
Tapped Holes acc.		A 3	Pro/E	ECN-No.		Revision	Techn. Resp.	Replacement for		
1) Tolerance Class Applied Crossmarked				151445	1x	F	5080			