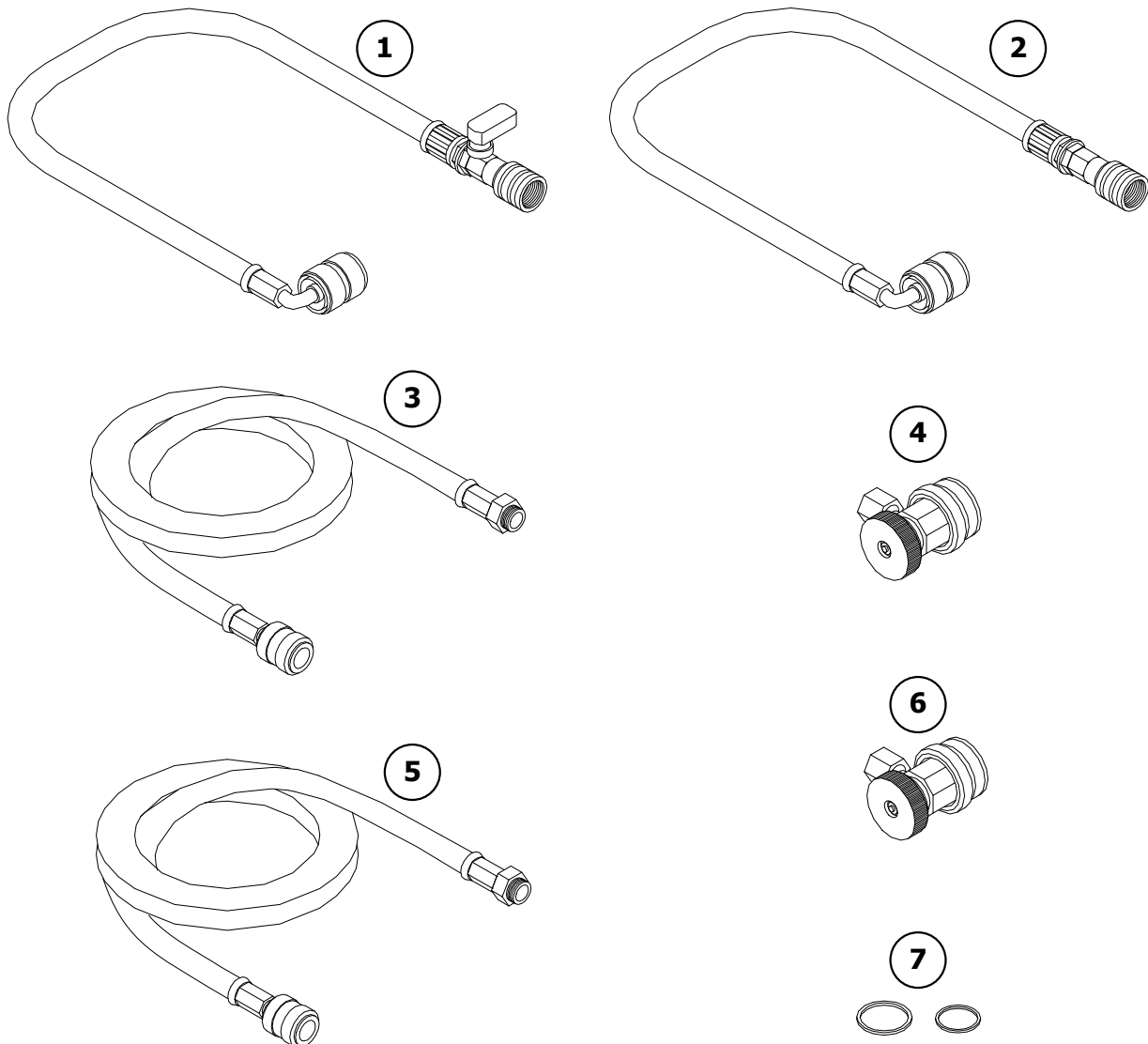
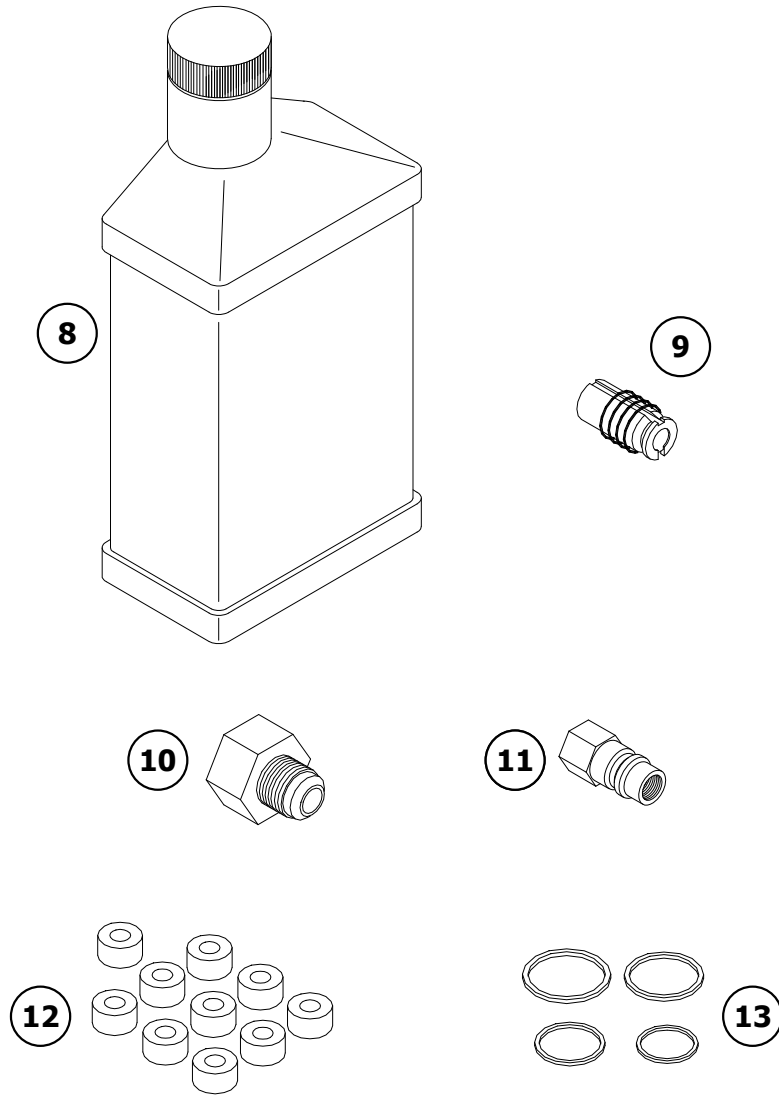


## 2.0 - SPARE PARTS

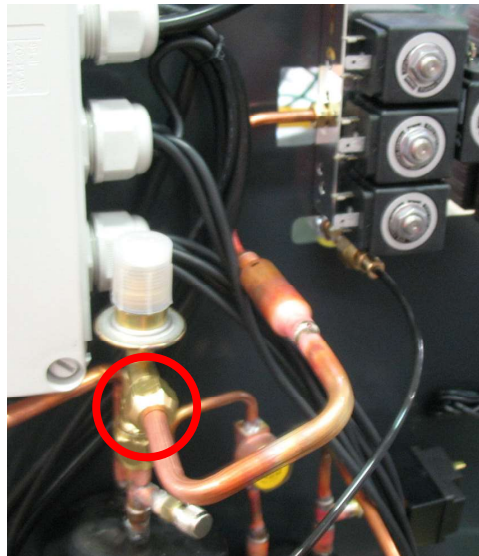


- |                                                                                                                                                                                                                                                                                                                                                                                                                                                                                |                                                                                                                                                                                                                                                                                                                  |
|--------------------------------------------------------------------------------------------------------------------------------------------------------------------------------------------------------------------------------------------------------------------------------------------------------------------------------------------------------------------------------------------------------------------------------------------------------------------------------|------------------------------------------------------------------------------------------------------------------------------------------------------------------------------------------------------------------------------------------------------------------------------------------------------------------|
| <ol style="list-style-type: none"> <li>1. Red hose tank           <ul style="list-style-type: none"> <li>✓ Blue hose tank 1450 mm + O-Ring</li> </ul> </li> <li>2. Yellow hose 600 mm + O-Ring</li> <li>3. 5 m High side red hose</li> <li>4. High side quick coupler</li> <li>5. 5 m Low side blue hose</li> <li>6. Low side quick coupler</li> <li>7. O-Ring kit for quick couplers</li> </ol> <ul style="list-style-type: none"> <li>• Hoses extension kit 2,5 m</li> </ul> | <p><b>SP00100054 (5117418_01)</b><br/> <b>SP00100063 (SL31407)</b><br/> <b>SP00100064 (SL31408)</b><br/> <b>SP00100035 (5117493)</b><br/> <b>SP00100083 (RA18191A)</b><br/> <b>SP00100036 (5117494)</b><br/> <b>SP00100082 (RA18190A)</b><br/> <b>SP00100057 (RA19150)</b><br/> <b>SP00100075 (RA245VSK)</b></p> |
|--------------------------------------------------------------------------------------------------------------------------------------------------------------------------------------------------------------------------------------------------------------------------------------------------------------------------------------------------------------------------------------------------------------------------------------------------------------------------------|------------------------------------------------------------------------------------------------------------------------------------------------------------------------------------------------------------------------------------------------------------------------------------------------------------------|



- |                                                                                                                                                                                                |                                                                                                      |
|------------------------------------------------------------------------------------------------------------------------------------------------------------------------------------------------|------------------------------------------------------------------------------------------------------|
| <p><b>8.</b> Vacuum pump oil (0,6 l)<br/>                     ✓ Vacuum pump oil (12 x 0,6 l)</p>                                                                                               | <p><b>SP00100086 (5604052)</b><br/> <b>SP00100088 (5604052PACK)</b></p>                              |
| <p><b>9.</b> Piston for solenoid valve 4,5 mm<br/>                     ✓ Piston for solenoid valve 2,5/3 mm</p>                                                                                | <p><b>SP00100041 (5125014)</b><br/> <b>SP00100042 (5125015)</b></p>                                  |
| <p><b>10.</b> Tank adapting coupler</p>                                                                                                                                                        | <p><b>SP00100080 (5117228)</b></p>                                                                   |
| <p><b>11.</b> Tank quick coupler</p>                                                                                                                                                           | <p><b>SP00100019 (5117226)</b></p>                                                                   |
| <p><b>12.</b> Joints for <math>\frac{1}{4}</math> SAE hoses</p>                                                                                                                                | <p><b>SP00100084 (RA40083)</b></p>                                                                   |
| <p><b>13.</b> O-Ring 3037 <math>\varnothing</math> 14<br/>                     ✓ O-Ring 2031 <math>\varnothing</math> 11<br/>                     ✓ O-Ring 2018 <math>\varnothing</math> 8</p> | <p><b>SP00100004 (1107031)</b><br/> <b>SP00100002 (1107004)</b><br/> <b>SP00100003 (1107006)</b></p> |

### O-Ring location



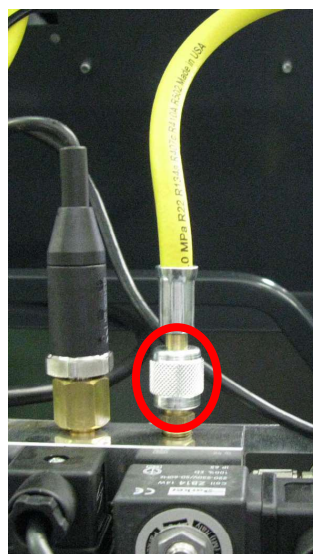
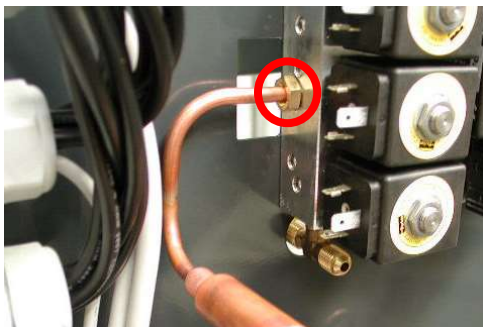
O-Ring - SP00100002 (1107004)



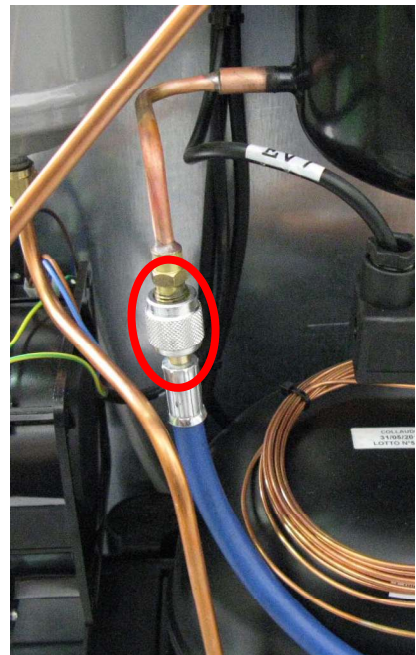
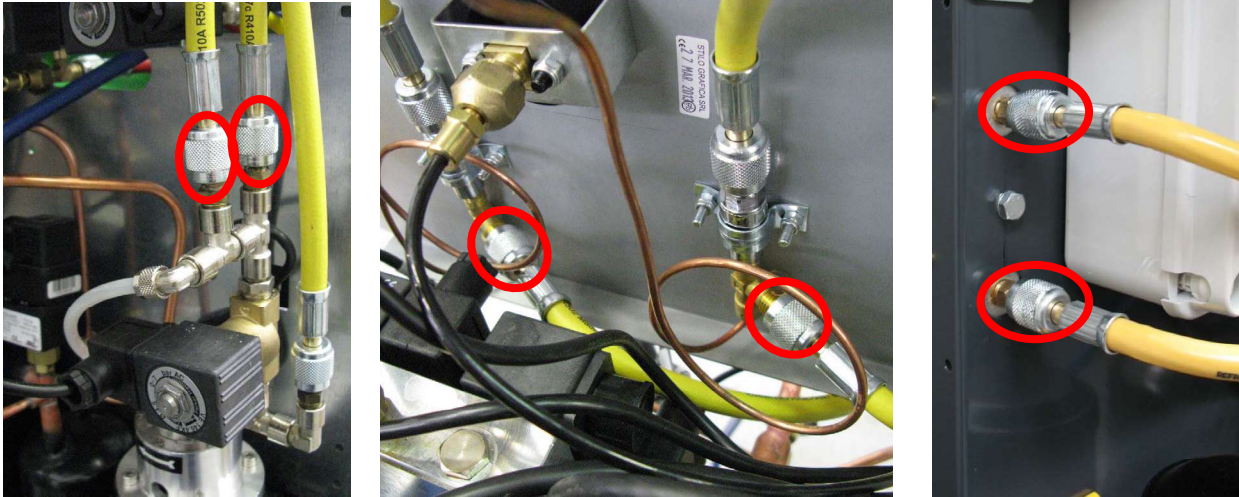
O-Ring - SP00100004 (1107031)



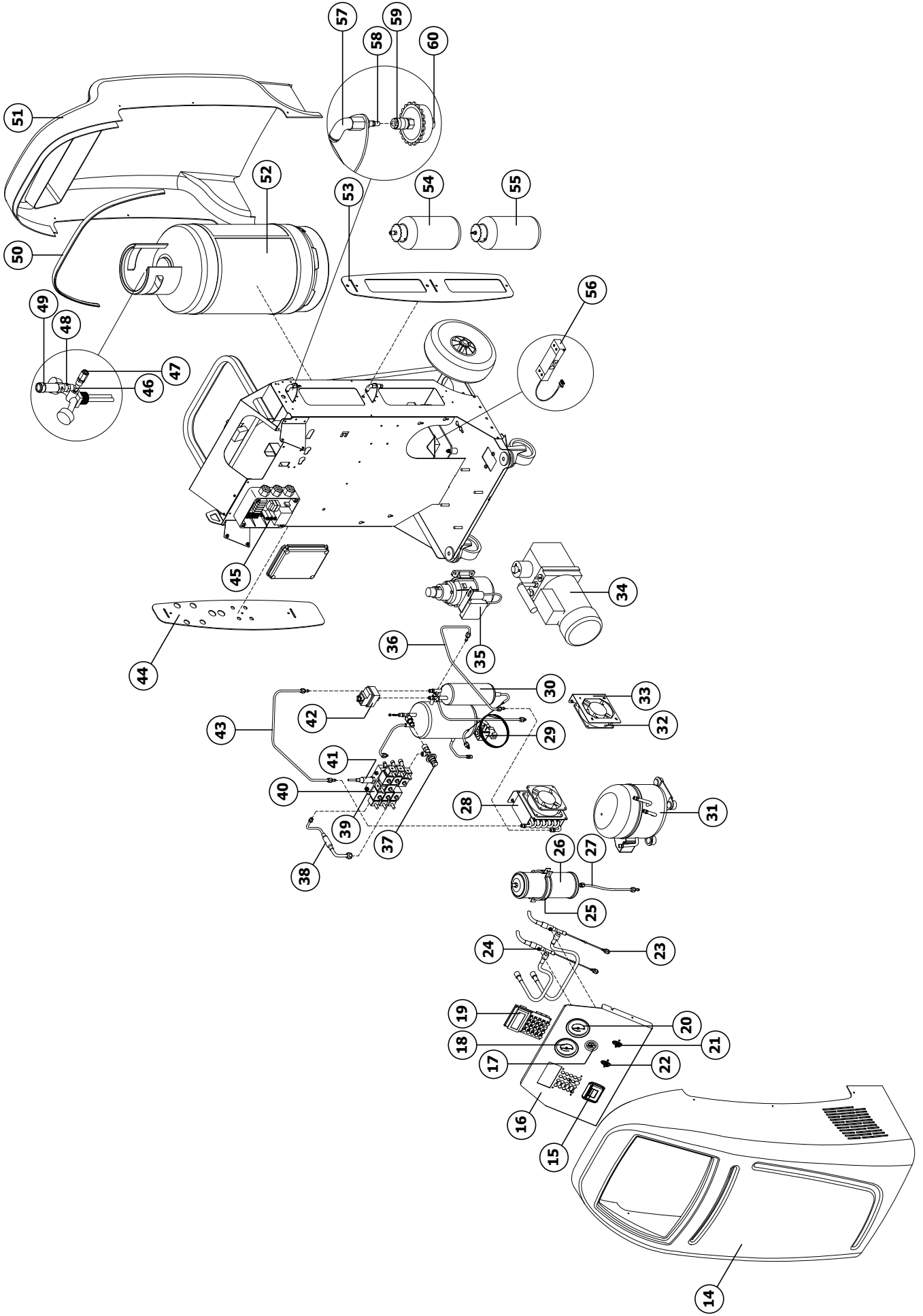
O-Ring - SP00100003 (1107006)



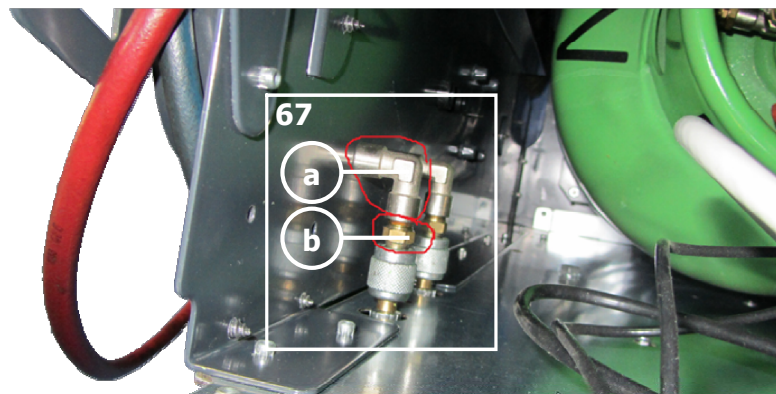
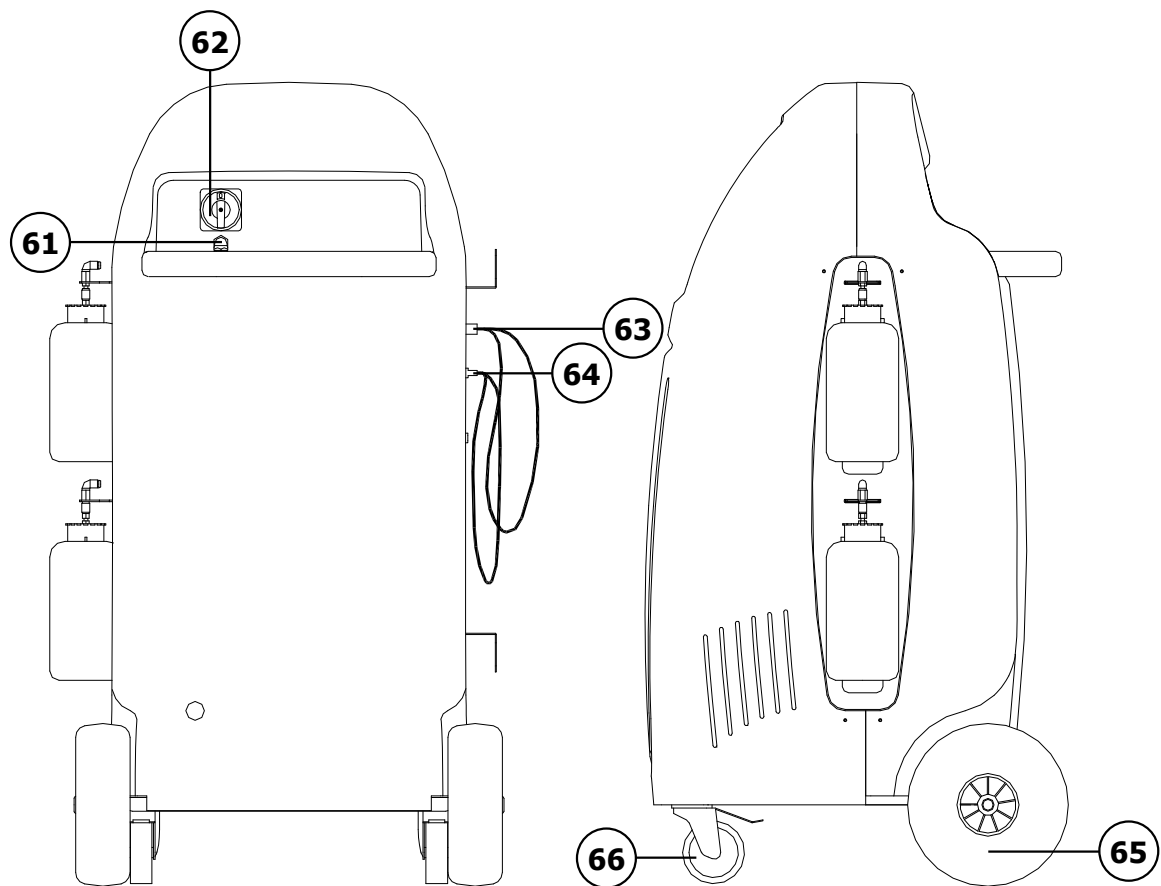
O-Ring - SP00100003 (1107006)



O-Ring - SP00100003 (1107006)

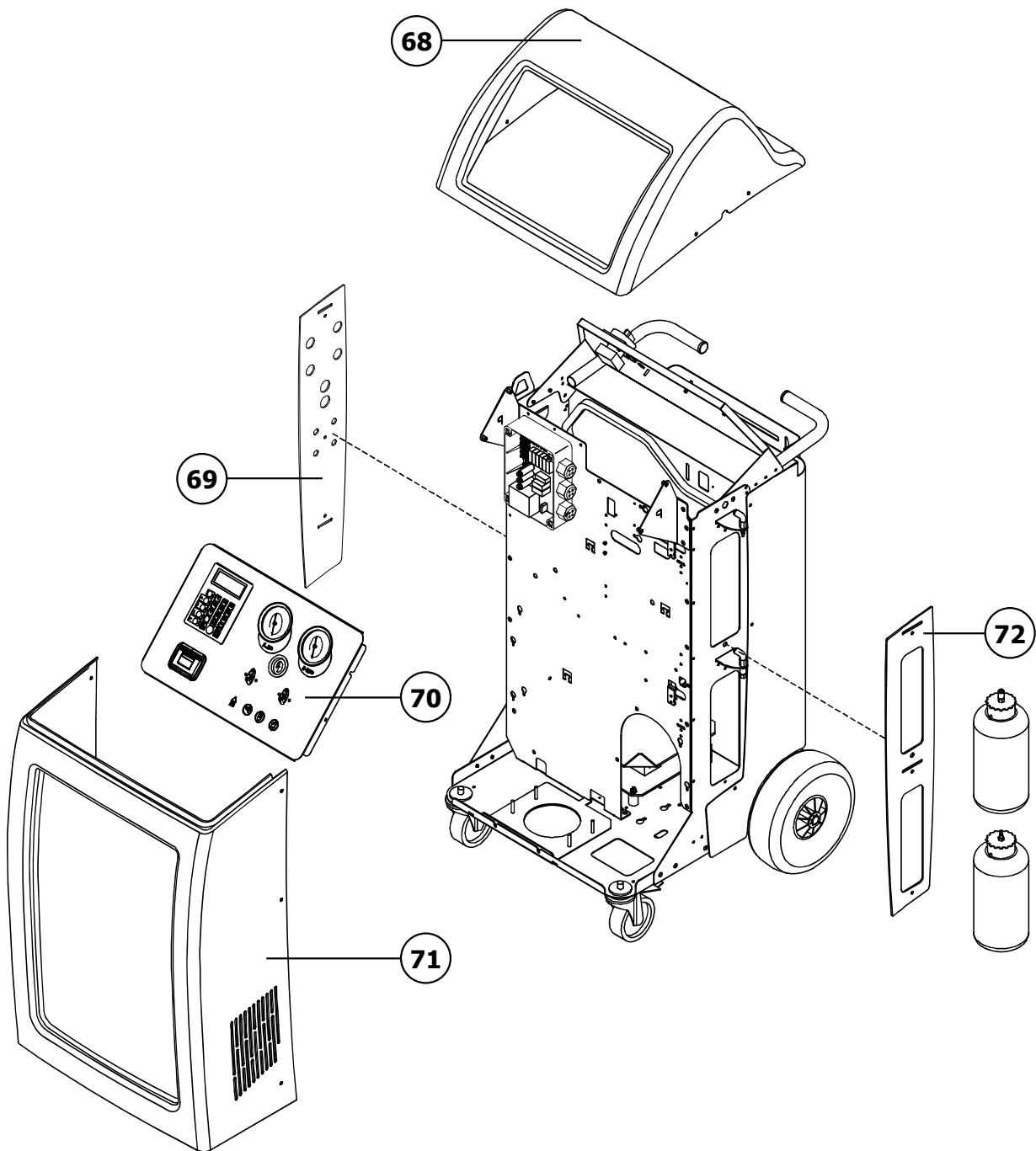


- 14.** Frontal thermoform –Silver RAL9006–  
 ✓ AC790PRO Sticker  
 ✓ ROBINAIR Sticker
- 15.** Printer  
 ✓ Power supply cable for printer  
 ✓ Serial cable for printer  
 ✓ Roll of printer paper
- 16.** Front panel
- 17.** Inside tank pressure meter (**M3**)  
 ✓ Polyamide capillary hose
- 18.** Low side gauge (**M1**)
- 19.** Display board
- 20.** High side gauge (**M2**)
- 21.** Red handle  
 ✓ Screw 3x8 UNI 7985
- 22.** Blue handle  
 ✓ Screw 3x8 UNI 7985
- 23.** Pressure meters capillary tube
- 24.** Dashboard valve
- 25.** Drying filter strap
- 26.** Filter dryer (**F2**)
- 27.** Filter-compressor pipe
- 28.** Complete ventilated exchanger (before the serial number 551106)  
 ✓ Complete ventilated exchanger (from the serial number 551106)  
 ✓ Radiator support square  
 ✓ Exchanger  
 ✓ Fan
- 29.** 4,5 mm Solenoid valve
- 30.** Assembled distiller (from the serial number 551106)  
 ✓ Distiller (before the serial number 551106)  
 ✓ Distiller (from the serial number 551106)
- 31.** Compressor (**6**)
- 32.** Fan
- 33.** Auxiliary fan supporting square
- 34.** Vacuum pump (**2**) 283 l/min  
 ✓ Oil restore cap  
 ✓ Oil discharge screw
- 35.** Assembled fluid pump (**11**)
- 36.** Distiller-radiator pipe (outlet)
- 37.** Expansion valve (**3**) SP00100026 (5117398)
- 38.** Mechanical filter (**F1**) SP00100028 (5117468)
- 39.** Solenoid valves set  
 ✓ Protection unidirectional valve  
 SP00100037 (5117500)
- 40.** Coil 230 Vac SP00100056 (AC350/500-3)
- 41.** Transducer kit (**P1**) SP00101819  
 ✓ Pressure transducer (**P1**) SP00100065 (SL31410)  
 ✓ Safety pressure gauge (**P2**) SP00100033 (5117484)
- 42.** Safety pressure gauge (**P2**) SP00100033 (5117484)
- 43.** Distiller –radiator pipe (inlet) SP00100104 (5117551)
- 44.** Pipes side thermoform –Black– SP00100141 (0643169)
- 45.** Complete power box SP00100791 (SL31365\_02)  
 ✓ Power board SP00100051 (2659332\_02)  
 ✓ Fuse T 100 mA 5x20 (F1) SP00100093 (3123025)  
 ✓ Fuse T 12,5 A 5x20 (F2 and F3) SP00100078 (3123030)  
 ✓ Fuse T 800 mA 5x20 (flying fuse) SP00100124 (3123029)
- 46.** Union tee SP00100101 (5117488)
- 47.** Uncondensate discharge valve SP00100031 (5117482)
- 48.** Cylindrical gear reducer SP00100022 (5117341)
- 49.** Tank security valve SP00100032 (5117483)
- 50.** Double profile for AC Robinair SP00101279 (1107071)
- 51.** Rear thermoform –Silver RAL9006– SP00100334 (0643213)
- 52.** 40 l Storage tank (**7**) SP00100121 (SL31494\_01)
- 53.** Bottles side thermoform –Black– SP00101603
- 54.** Oil injection assembled bottle SP00100112 (SL31464)
- 55.** Oil discharge assembled bottle SP00100113 (SL31464/S)
- 56.** Bottle loading cell SP00100108 (SL31453\_01)
- 57.** L-shaped coupler for pipe Ø 6 SP00100107 (5117458\_01)
- 58.** Male quick coupler SP00100020 (5117332)
- 59.** Female quick coupler SP00100023 (5117342)
- 60.** Straight coupler for pipe Ø 6 SP00100100 (5117459)
- Internal hoses kit (for pump, oil injection bottle and oil discharge bottle) SP00101163 (SP00101163810)
- Only needed for 110 V variant**
- Fuse holder power supply cable SP00100381 (2303350)
  - Panel fuse holder 30 A 250 V SP00100420 (3101044)  
 ✓ Fuse T 25 A 6,3x32 SP00100445 (3123026)
  - Autotransformer 110 V-230 V 2500 VA SP00100399 (2603065)
  - Assembled fluid pump (60 Hz) SP00100863 (SL31507)
- SP00100291 (0643165TM)**
- SP00100486 (3602683)**
- SP00100994 (3602823)**
- SP00101306 (SP00101306810)**
- SP00100009 (2303283)**
- SP00100010 (2303284)**
- SP00100087 (5607069)**
- SP00100927 (0111296\_01)**
- SP00100006 (1601033)**
- SP00100660**
- SP00100008 (1601035)**
- SP00100105 (2659269\_02/C790)**
- SP00100007 (1601034)**
- SP00100017 (5111022)**
- SP00100544**
- SP00100018 (5111023)**
- SP00100544**
- SP00100099 (5117406)**
- SP00100053 (5117400/1)**
- SP00100096 (5109062)**
- SP00100001 (5117399)**
- SP00100027 (5117467)**
- SP00100111 (SL31463)**
- SP00100116 (SL31504)**
- SP00100089 (0109560)**
- SP00100102 (5117502)**
- SP00100014 (3127032)**
- SP00100011 (3109094)**
- SP00100115 (SP00100115810)**
- SP00100789 (SL31363)**
- SP00100120 (SL31502)**
- SP00100114 (SL31495)**
- SP00100014 (3127032)**
- SP00100090 (0109565)**
- SP00100094 (3127041)**
- SP00100077 (0625072)**
- SP00100079 (5103068)**
- SP00100110 (SL31458)**
- SP00100103 (5117550)**



- |                                            |                                |
|--------------------------------------------|--------------------------------|
| <b>61.</b> Standard EU power cable         | <b>SP00100092 (3119125)</b>    |
| ✓ UK power cable                           | <b>SP00100440 (3119167)</b>    |
| <b>62.</b> Main power switch               | <b>SP00100013 (3113125)</b>    |
| <b>63.</b> False HP quick coupler          | <b>SP00100098 (5117312)</b>    |
| <b>64.</b> False LP quick coupler          | <b>SP00100097 (5117311)</b>    |
| <b>65.</b> A/C rear wheel kit (1 piece)    | <b>SP00101190</b>              |
| ✓ Wheel locking seeger                     | <b>SP00100016 (5109061)</b>    |
| <b>66.</b> Front wheel                     | <b>SP00100046 (0107026_01)</b> |
| <b>67.</b> Service hoses fitting kit       | <b>SP00101765</b>              |
| (1 x SP00100614 + 1 x SP00100649)          |                                |
| <b>a.</b> 1/8 F L-shaped coupler           | <b>SP00100614 (5117280)</b>    |
| <b>b.</b> 1/8 NPT – 1/4 SAE O-Ring Fitting | <b>SP00100649</b>              |
| • Hoses winding protection                 | <b>SP00100091 (0621036)</b>    |

**AC790PRO-TMB**



- |                                                             |                                                     |
|-------------------------------------------------------------|-----------------------------------------------------|
| <b>68.</b> Upper thermoform –Silver RAL9006–                | <b>SP00101021810</b>                                |
| <b>69.</b> Pipes side thermoform –Black–                    | <b>SP00100118 (0643205)</b>                         |
| <b>70.</b> Front panel                                      | <b>SP00100117 (0111291_01)</b>                      |
| <b>71.</b> Frontal thermoform –Silver RAL9006–<br>✓ Sticker | <b>SP00101020810</b><br><b>SP00100497 (3602788)</b> |
| <b>72.</b> Bottles side thermoform –Black–                  | <b>SP00101604</b>                                   |