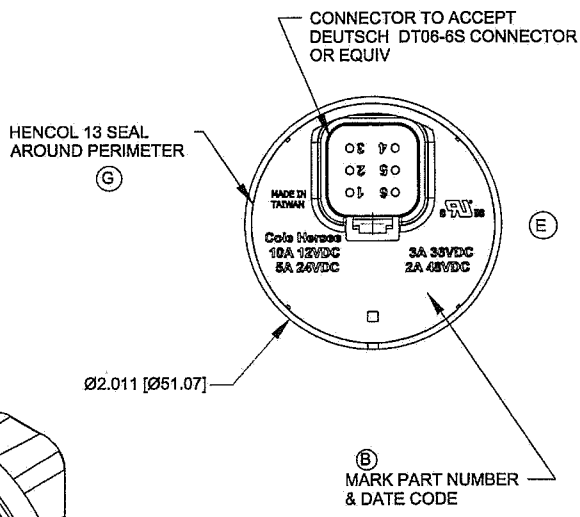
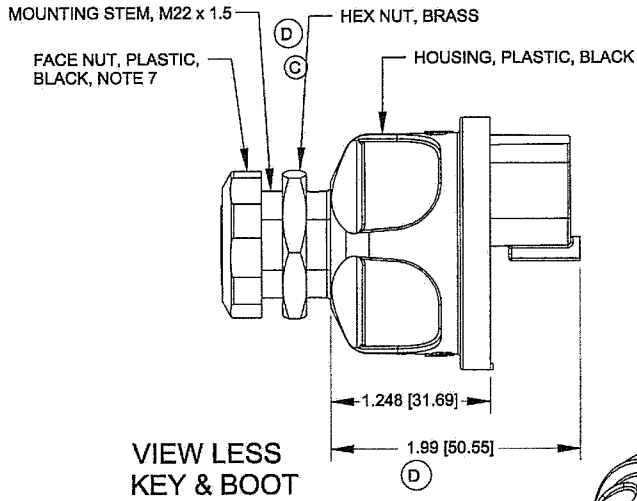


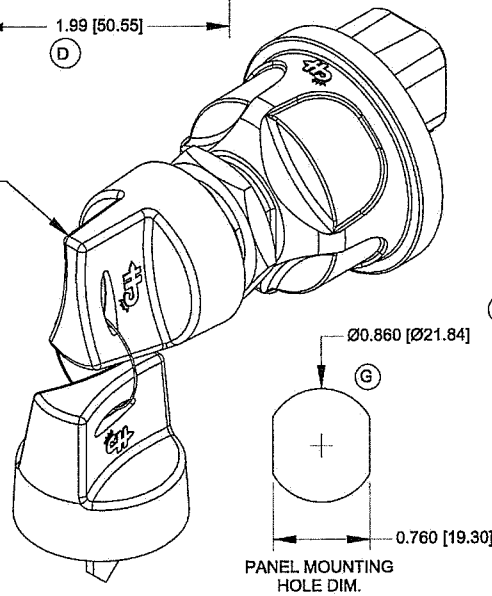
3

2

1



2 DOUBLE BITTED BOOTED KEYS RINGED, BLACK, NOTE 7



- NOTES:
1. TOLERANCES PLUS OR MINUS 0.015 [0.38]
 2. CONTACT AREA SEALED TO IP67
 3. BACK OF SWITCH SEALED WHEN MATING CONNECTOR IS INSTALLED
 4. FOR RESISTIVE LOAD RATING SEE CHART OR BACK OF SWITCH
 5. KEY REMOVEABLE IN OFF POSITION ONLY
 6. MATERIALS: HOUSING BLACK THERMOPLASTIC
INTERNAL STATIONARY CONTACTS COPPER
 7. KEY BOOT FITS OVER FACE NUT
 8. SWITCH TESTED TO SAE J259, UL RECOGNIZED TO UL 1054
 9. IF THE APPLICATION MOUNTS THE SWITCH WITH THE LOCK CYLINDER OR LEVER APPROACHING VERTICAL, CONTACT THE FACTORY FOR AN APPLICATION REVIEW AND POTENTIAL ALTERNATE PRODUCTS BEFORE DESIGN IS SET.
 10. SW. MUST NOT BREAK CIRCUIT OR BE DAMAGED IF TORQUED TO 15 IN-LBS [1.89Nm]

2 PL

CIRCUIT	12VDC RESISTIVE LOAD
START	5 AMPS
ACCESSORY	10 AMPS
IGNITION	10 AMPS
BATTERY	

CONNECTED TOGETHER INTERNALLY
CONNECTED TOGETHER INTERNALLY

Control Record

of Change	ECN No.	Date
NUT, 1.950	07102	3/30/07
DELETED HEX	07049	2/15/07
NOTES	06325	10/4/06
DRAWING	06287	8/11/06

Tolerances: Unless otherwise specifically noted, the following are default tolerances:
 * 2-place Decimal Dimensions +/- .02"
 * 3-place Decimal Dimensions +/- .003"
 * Angular Dimensions +/- 1.0 Deg
 * Metric: Refer to equivalent English Dimensional Tolerance
 >>> NOTE: All tolerances are Non-Cumulative. <<<

Dimensional Units: All dimensions are expressed in inches except those shown in brackets (mm) are expressed in millimeters

REF or an Asterisk (*) = Non-Toleranced Reference Dimension; shown for clarification purposes only.

Used On: EX28124
or Ref.:

PROPRIETARY INFORMATION: This Engineering Drawing, and the information contained herein, is proprietary to Cole Hersee Company and may not be disclosed, reproduced, or in any other way transferred or communicated to any other party without the express written consent of an authorized representative of Cole Hersee Company.

DESIGN CONTROL: It is the responsibility of the individual using / referencing this drawing to assure that the noted design revision level agrees with the revision level of the Controlled Document (Master Drawing). This is a NON-CONTROLLED DOCUMENT unless otherwise specifically noted.

DO NOT SCALE - Dimensional variation may occur during printing / reproduction.

Special Characteristics:

- Critical Characteristics, relating to Safety and/or Regulatory Compliance
- Significant Characteristics relating to Process Control (SPC)
- Control Dimension relating to Form - Fit - Function as defined by Cole Hersee Company and/or the Customer

(Note that the identification of any Characteristics as being "Special" does not alter the requirement that ALL specified dimensions & tolerances must be met.)

Drawn By: DPS
Date Drawn: 8/11/06
Responsible Engineer: JT

PAGE 1
Created using Autocad Inventor

Cole Hersee Co.
 20 Old Colony Ave., South Boston, MA, 02127
 Phone 617-288-2100 Web: www.colehersee.com

Description:
SW, ROT, 2POS, PLSTC

Drawing / Part No.: **95060-07**
 Current Rev.: **G**

3

2

1