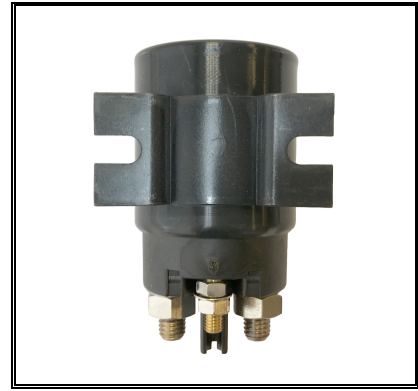


TECHNICAL DATA SHEET

ECE912 / ECE914

Unipolar Power Relay
for continuous use

12VDC / 24VDC



GENERAL CHARACTERISTICS

Protection degree: IP65
Weight: 0.50 kg approx.
Contacts: copper coated

FIELDS OF APPLICATION

Markets: industrial vehicles, handling vehicles, pleasure navy, industry...
Particular applications: starting relay, preheating, motor control, power circuit...

CONTROL CIRCUIT

Connection: M5 terminals
Tightening torque M5: 3.2 / 3.5 N.m
Holding power: < 15 W
Interlocking tension: > 9 VDC (12V) / 16 VDC (24V)
Disengaging tension: < 7 VDC (12V) / 9 VDC (24V)

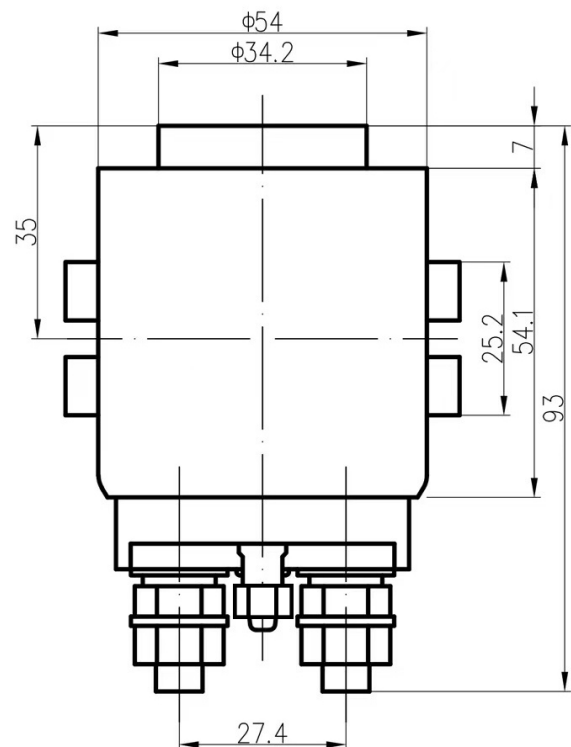
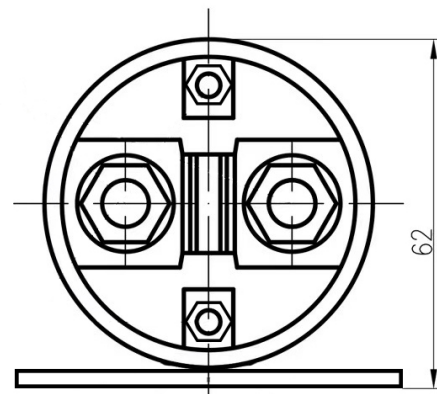
POWER CIRCUIT

Connection by M8 terminals
Tightening torque: 12 / 13 N.m
Type: normally opened unipolar
Continuous intensity: 300 A
Max. capacity: 600 A during 30 seconds
Max. capacity: 2400 A during 1 second

PARTICULAR CHARACTERISTICS:

Temperature range: -40° to +85° C
Black galvanised finishing.

Size diagrams:



CIRCUIT:

