

N E D E R L A N D  
( THE NETHERLANDS )

## COMMUNICATION

Concerning: APPROVAL GRANTED  
APPROVAL EXTENDED  
APPROVAL REFUSED  
APPROVAL WITHDRAWN  
PRODUCTION DEFINITELY DISCONTINUED

of a type of retroreflecting device pursuant to Regulation No. 3

Approval No.: E4 - 3R - 02 9836

Extension No.: -- Correction No.: 1

Approval mark:



IA IIIA IB

02



9836

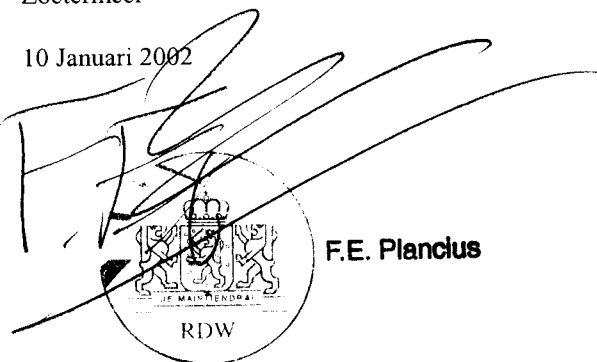
- |   |  |   |   |
|---|--|---|---|
| 1 | Trade name or mark of the device   | : | HELLA or TALMU  |
| 2 | Manufacturer's name for the type of device   | : | 341419  |
| 3 | Manufacturer's name and address  | : | Hella Lighting Finland Oy<br>Inkereentie 566<br>Fin-24280 Salo<br>Finland |
| 4 | Name and address of his representative   | : | --  |
| 5 | Submitted for approval on  | : | 3 December 2001   |
| 6 | Technical service responsible for conducting approval test   | : | N.V. KEMA   |
| 7 | Date of test report  | : | 9 January 2002  |
| 8 | Number of test report  | : | 01-168  |
| 9 | Concise description:<br>In isolation/part of an assembly of devices<br>Colour of the light emitted | : | white/red/amber   |



Approval No.: E4 - 3R - 02 9836

Extension No.: -- Correction No.: 1

- 10 Position of the approval mark : see annexed drawing
- 11 Reasons for extension if applicable : --
- 12 Approval granted/~~refused~~/~~extended~~/~~withdrawn~~
- 13 Place : Zoetermeer
- 14 Date : 10 Januari 2002
- 15 Signature :

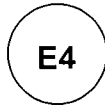


The signature is a large, stylized handwritten mark in black ink. Below it is a circular official stamp. The stamp features a central emblem with a crown and two lions, with the motto 'DE MAIR HENDRAI' below it. The letters 'RDW' are printed at the bottom of the stamp. To the right of the stamp, the name 'F.E. Plancius' is printed in a bold, sans-serif font.

- 16 The list of documents deposited with the Administrative Service which has granted approval is annexed to this communication and may be obtained on request:
- 1 drawing No. 341 563-00
  - test report as mentioned in item 8

Remark: The rear lamp unit contains two retroreflectors:

- one side-retroreflector class IB and
- one retroreflector class IA or one triangular retroreflector class IIIA.

N E D E R L A N D  
( THE NETHERLANDS )

## COMMUNICATION

Concerning: APPROVAL GRANTED  
~~APPROVAL EXTENDED~~  
~~APPROVAL REFUSED~~  
~~APPROVAL WITHDRAWN~~  
~~PRODUCTION DEFINITELY DISCONTINUED~~

of a type of retroreflecting device pursuant to Regulation No. 3

Approval No.: E4 - 3R - 02 9836

Extension No.: --

Approval mark:

IB  
02



9836

- |   |  |   |   |
|---|--|---|---|
| 1 | Trade name or mark of the device   | : | HELLA or TALMU  |
| 2 | Manufacturer's name for the type of device   | : | 341419  |
| 3 | Manufacturer's name and address  | : | Hella Lighting Finland Oy<br>Inkereentie 566<br>Fin-24280 Salo<br>Finland |
| 4 | Name and address of his representative   | : | --  |
| 5 | Submitted for approval on  | : | 3 December 2001   |
| 6 | Technical service responsible for conducting approval test   | : | N.V. KEMA   |
| 7 | Date of test report  | : | 9 January 2002  |
| 8 | Number of test report  | : | 01-168  |
| 9 | Concise description:<br>In <del>isolation</del> /part of an assembly of devices<br>Colour of the light emitted | : | white/red/amber   |

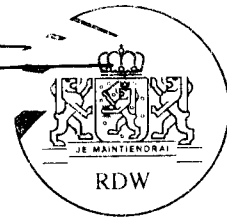


Approval No.: E4 - 3R - 02 9836

Extension No.: --

- 10 Position of the approval mark : see annexed drawing
- 11 Reasons for extension if applicable : --
- 12 Approval granted/~~refused~~/~~extended~~/~~withdrawn~~
- 13 Place : Zoetermeer
- 14 Date : 10 JAN. 2002
- 15 Signature :

ing. A.M. Boekestein



- 16 The list of documents deposited with the Administrative Service which has granted approval is annexed to this communication and may be obtained on request:
- 1 drawing No. 341 563-00 (annexed)
  - test report as mentioned in item 8

rear position (side) lamp reciprocally incorporated with stop lamp category S1 colour: red lamp: P21W/5W

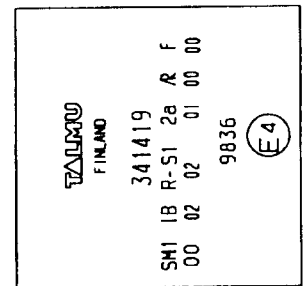
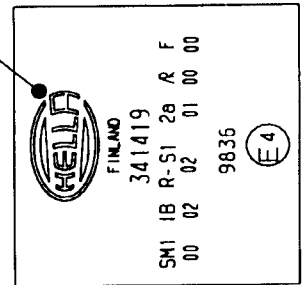
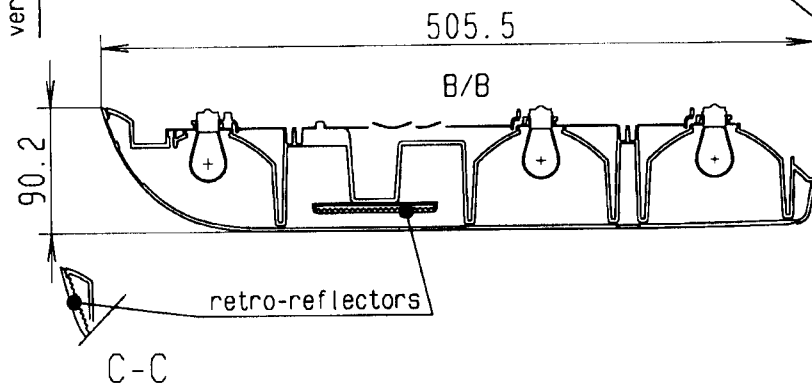
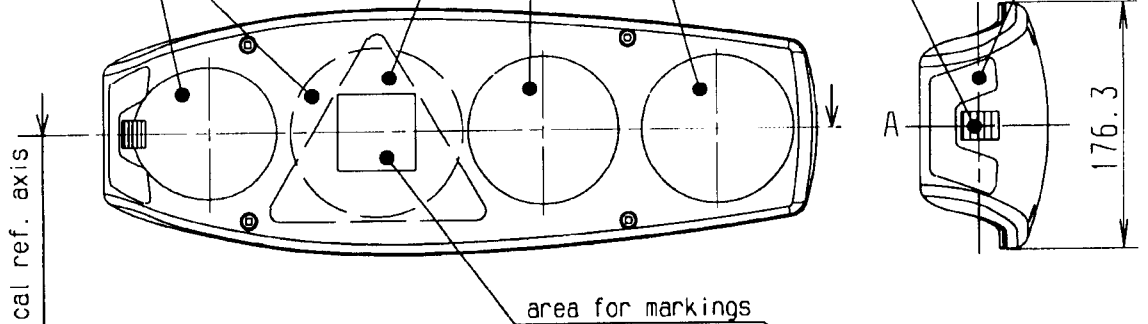
alternative: triangular retro-reflector class IIIA or rear retro-reflector class IA

direction indicator category 2a colour: amber lens colour: clear lamp: PY21W

alternative: rear fog lamp colour: red lamp: P21W or reversing lamp colour: clear lamp: P21W

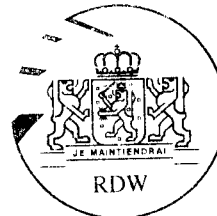
side marker lamp combined with rear position (side) lamp category: SM1 colour: red lamp: P21W/5W

side retro-reflector class IB colour: red



alternative

LENS MATERIAL: PMMA  
RETRO REFLECTORS MATERIAL: PMMA



20	30	A-Index Rev. Ind	war was	Blatt Page	Aenderung Rev. Description	A-Nr. Rev. No.	Datum Date	K-Gr./User id Depart./User id

Diese Unterlage ist vertraulich zu behandeln. Ihre Weitergabe sowie die Verwertung und Mitteilung ihres Inhalts ist nur mit unserer ausdruecklichen Genehmigung gestattet. Wir behalten uns alle Rechte vor, insbesondere das Recht zur Schutzrechtsanmeldung.

This document is confidential. It's contents are not to be exploited, passed on or disclosed to third parties without our express permission. All rights reserved.

Masstab Scale	---	Datum Date	04.09.2001	User id	EHA
Projektionsmethode Projection		Erstellt/Entw. Drawn		Freigegeben Checked	
		Konstr.-Gr. Department			



Benennung	Artikel-Nr. Part No.
Title REAR COMBINATION LAMP 341419	Zeichnungs-Nr. Drawing No. 341 563-00
Ersatz fuer Replaces	Blatt: Page:
CATIA:	Blattzahl: Of: Dok.-Status:

Format  
Size  
A4



N E D E R L A N D  
( THE NETHERLANDS )



COMMUNICATION

Concerning: APPROVAL GRANTED  
~~APPROVAL EXTENDED~~  
~~APPROVAL REFUSED~~  
~~APPROVAL WITHDRAWN~~  
~~PRODUCTION DEFINITELY DISCONTINUED~~

of a type of device pursuant to Regulation No. 6

Approval No.: E4 - 6R - 01 9836

Extension No.: --

Approval mark:

2a  
01



9836


- |   |  |   |   |
|---|--|---|---|
| 1 | Trade name or mark of the device                           | : | HELLA or TALMU  |
| 2 | Manufacturer's name for the type of device                 | : | 341419  |
| 3 | Manufacturer's name and address                            | : | Hella Lighting Finland Oy<br>Inkereentie 566<br>Fin-24280 Salo<br>Finland |
| 4 | Name and address of his representative                     | : | --  |
| 5 | Submitted for approval on                                  | : | 3 December 2001   |
| 6 | Technical service responsible for conducting approval test | : | N.V. KEMA   |
| 7 | Date of test report  | : | 9 January 2002  |
| 8 | Number of test report                                      | : | 01-168  |
| 9 | Concise description:                                       |   |   |
|   | Category   | : | 2a  |
|   | Number and category of filament lamp(s)                    | : | 1x PY21W  |

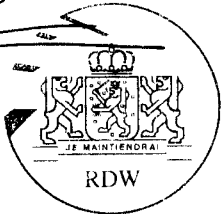


Approval No.: E4 - 6R - 01 9836

Extension No.: --

- 10 Position of the approval mark : see annexed drawing
- 11 Reasons for extension if applicable : --
- 12 Approval granted/~~refused~~/~~extended~~/~~withdrawn~~
- 13 Place : Zoetermeer
- 14 Date : 10 JAN. 2002
- 15 Signature :

  
ing. A.M. Boekestein



- 16 The list of documents deposited with the Administrative Service which has granted approval is annexed to this communication and may be obtained on request:
- 1 drawing No. 341 563-00 (annexed)
  - 1 table with the dimensions of the illuminating surfaces No. 341 575-00 (annexed)
  - test report as mentioned in item 8

rear position (side) lamp reciprocally incorporated with stop lamp category S1 colour: red lamp: P21W/5W

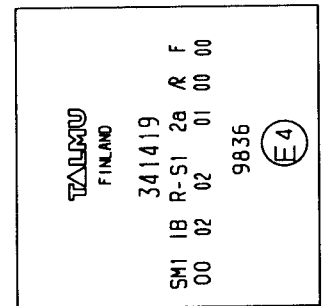
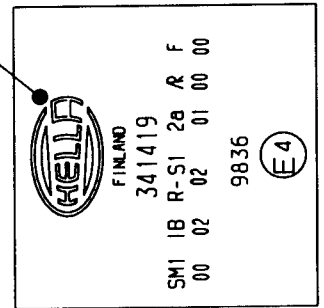
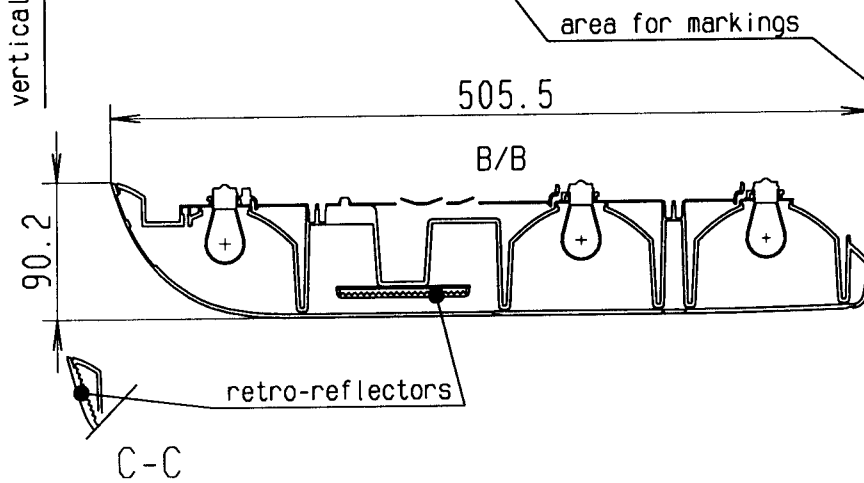
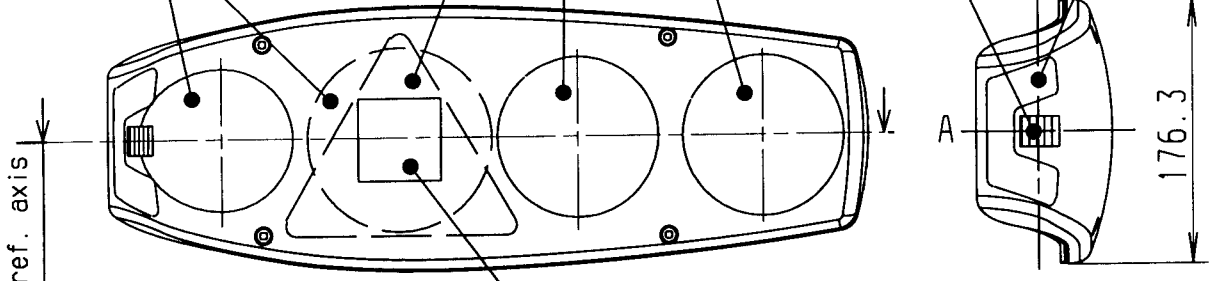
alternative: triangular retro-reflector class IIIA or rear retro-reflector class IA

direction indicator category 2a colour: amber lens colour: clear lamp: PY21W

alternative: rear fog lamp colour: red lamp: P21W or reversing lamp colour: clear lamp: P21W

side marker lamp combined with rear position (side) lamp category: SM1 colour: red lamp: P21W/5W

side retro-reflector class IB colour: red



LENS MATERIAL: PMMA  
RETRO REFLECTORS MATERIAL: PMMA



alternative

2D	3D	A-Index Rev. Ind	war was	Blatt Page	Aenderung Rev. Description	A-Nr. Rev. No.	Datum Date	K-Gr./User id Depart./User id
----	----	---------------------	------------	---------------	-------------------------------	-------------------	---------------	----------------------------------

Diese Unterlage ist vertraulich zu behandeln. Ihre Weitergabe sowie die Verwertung und Mitteilung ihres Inhalts ist nur mit unserer ausdruecklichen Genehmigung gestattet. Wir behalten uns alle Rechte vor, insbesondere das Recht zur Schutzrechtsanmeldung.

This document is confidential. It's contents are not to be exploited, passed on or disclosed to third parties without our express permission. All rights reserved.

Masstab Scale	---	Datum Date	04.09.2001	User id	EHA
Projektionsmethode Projection		Erstellt/Entw. Drawn		Freigegeben Checked	
		Konstr. -Gr. Department			



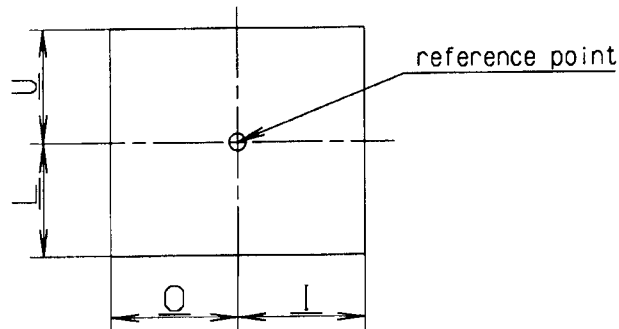
Benennung	Artikel-Nr.	Part No.
Title	Zeichnungs-Nr.	Drawing No.
REAR COMBINATION LAMP 341419	341 563-00	Format Size A4
Ersatz fuer Replaces	Blatt: Page:	Blattzahl: Of:
CATIA:	Dok. -Status:	



Determining the lower, upper and lateral limits of the illuminating surface of the lamp device.

According to European DIRECTIVE 91/663/EEC, Annex I "Installation of lighting and light-signalling devices", clause 1.9.2.

According to ECE regulation 48/01 "Installation of lighting and light-signalling devices", clause 2.9.2.



Function	upper limit (U) mm		lower limit (L) mm		outer limit (O) mm		inner limit (I) mm	
	Reversing lamp	37		41		44		38
Rear fog lamp	36		39		45		45	
Rear direction indicator lamp	46		40		44		43	
Triangular retro-reflector class IIIA	63		63		71		71	
Rear retro-reflector class IA	57		57		57		57	
Rear position (side) lamp	35		38		30		45	
Stop lamp	36		38		28		41	
Side-marker lamp/ rear position (side) lamp	10		16		9		9	
Side retro-reflector class IB	49		49		32		16	


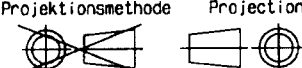


Belongs drw. no. 341 563

20	30	A-Index Rev. Ind	war was	Blatt Page	Aenderung Rev. Description	A-Nr. Rev. No.	Datum Date	K-Gr./User id Depart./User id
----	----	---------------------	------------	---------------	-------------------------------	-------------------	---------------	----------------------------------

Diese Unterlage ist vertraulich zu behandeln. Ihre Weitergabe sowie die Verwertung und Mitteilung ihres Inhalts ist nur mit unserer ausdruecklichen Genehmigung gestattet. Wir behalten uns alle Rechte vor, insbesondere das Recht zur Schutzrechtsanmeldung.

This document is confidential. It's contents are not to be exploited, passed on or disclosed to third parties without our express permission. All rights reserved.

Masstab Scale	Datum Date	Userid	 <b>Hella Lighting Finland</b>
Projektionsmethode Projection	Erstellt/Entw. Drawn	EHA	
	Freigegeben Checked	PEI	
	Konstr.-Gr. Department		
Benennung REAR COMBINATION LAMP 1190	Artikel-Nr. Part No.		
Title ILLUMINATING SURFACE	Zeichnungs-Nr. Drawing No.	341 575-00	Format Size A4
Ersatz fuer Replaces	Blatt: Page:	Blattzahl: Of:	
CATIA:	Dok.-Status:		

N E D E R L A N D  
( THE NETHERLANDS )

## COMMUNICATION

Concerning: APPROVAL GRANTED  
~~APPROVAL EXTENDED~~  
~~APPROVAL REFUSED~~  
~~APPROVAL WITHDRAWN~~  
~~PRODUCTION DEFINITELY DISCONTINUED~~

of a type of device pursuant to Regulation No. 7

Approval No.: E4 - 7R - 02 9836

Extension No.: --

Approval mark:

R-S1  
02



9836

- |   |  |   |   |
|---|--|---|---|
| 1 | Trade name or mark of the device   | : | HELLA or TALMU  |
| 2 | Manufacturer's name for the type of device   | : | 341419  |
| 3 | Manufacturer's name and address  | : | Hella Lighting Finland Oy<br>Inkereentie 566<br>Fin-24280 Salo<br>Finland |
| 4 | Name and address of his representative   | : | --  |
| 5 | Submitted for approval   | : | 3 December 2001   |
| 6 | Technical service responsible for conducting approval test   | : | N.V. KEMA   |
| 7 | Date of test report  | : | 9 January 2002  |
| 8 | Number of test report  | : | 01-168  |
| 9 | Concise description:<br>By category of lamps<br>Colour of light emitted<br>Number and category of filament lamps | : | S1-R<br>red/selective yellow/white<br>1x P21/5W                           |

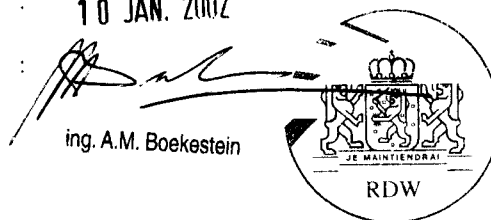


Approval No.: E4 - 7R - 02 9836

Extension No.: --

- 10 Position of the approval mark : see annexed drawing
- 11 Reasons for extension if applicable : --
- 12 Approval granted/~~refused~~/~~extended~~/~~withdrawn~~
- 13 Place : Zoetermeer
- 14 Date : 10 JAN. 2002
- 15 Signature :

ing. A.M. Boekestein

The signature of ing. A.M. Boekestein is written in black ink. To the right of the signature is a circular official stamp of the RDW (Rijksdienst voor Ondernemend Nederland). The stamp features a coat of arms with a crown on top and the motto 'JE M'ENTENDRAI' below it. The letters 'RDW' are printed at the bottom of the stamp.

- 16 The list of documents deposited with the Administrative Service which has granted approval is annexed to this communication and may be obtained on request:
- 1 drawing No. 341 563-00 (annexed)
  - 1 table with the dimensions of the illuminating surfaces No. 341 575-00 (annexed)
  - test report as mentioned in item 8

rear position (side) lamp reciprocally incorporated with stop lamp category S1 colour: red lamp: P21W/5W

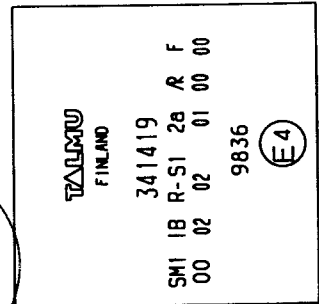
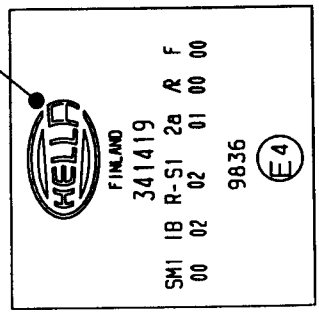
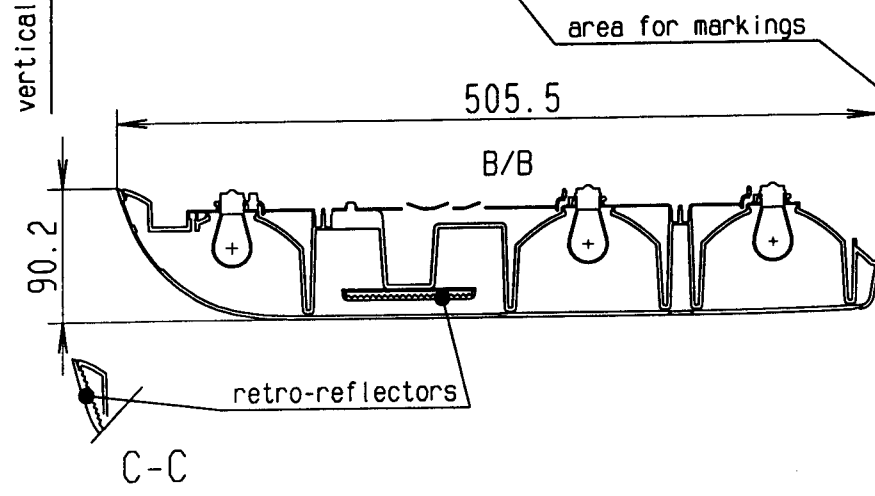
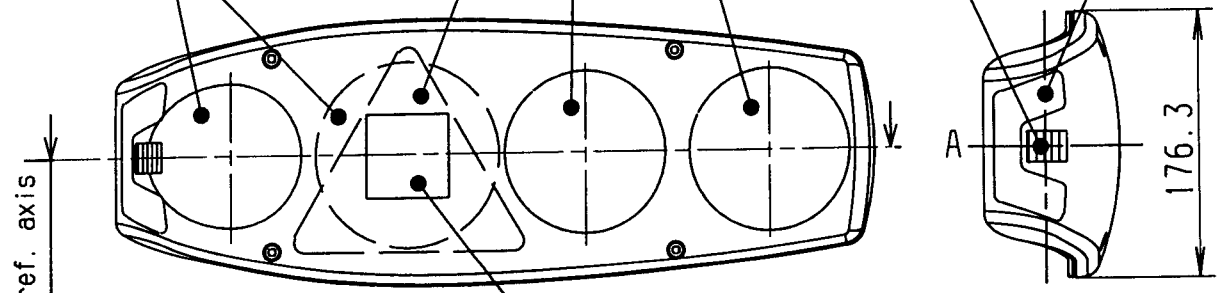
alternative: triangular retro-reflector class IIIA or rear retro-reflector class IA

direction indicator category 2a colour: amber lens colour: clear lamp: PY21W

alternative: rear fog lamp colour: red lamp: P21W or reversing lamp colour: clear lamp: P21W

side marker lamp combined with rear position (side) lamp category: SM1 colour: red lamp: P21W/5W

side retro-reflector class IB colour: red



LENS MATERIAL: PMMA  
RETRO REFLECTORS MATERIAL: PMMA

20	30	A-Index Rev. Ind	war was	Blatt Page	Aenderung Rev. Description	A-Nr. Rev. No.	Datum Date	K-Gr. /User id Depart. /User id
----	----	---------------------	------------	---------------	-------------------------------	-------------------	---------------	------------------------------------

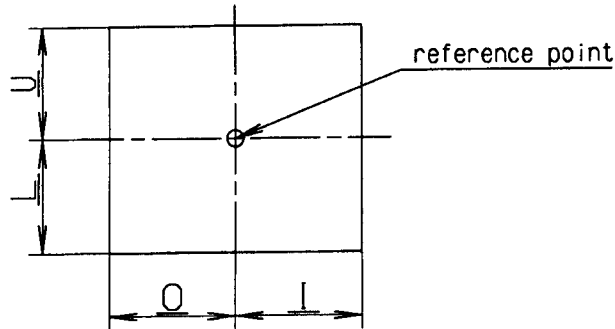
Diese Unterlage ist vertraulich zu behandeln. Ihre Weitergabe sowie die Verwertung und Mitteilung ihres Inhalts ist nur mit unserer ausdruecklichen Genehmigung gestattet. Wir behalten uns alle Rechte vor, insbesondere das Recht zur Schutzrechtsanmeldung. This document is confidential. It's contents are not to be exploited, passed on or disclosed to third parties without our express permission. All rights reserved.

Masstab Scale	-----	Datum Date	04.09.2001	Userid	EHA	
Projektionsmethode Projection		Erstellt/Entw. Drawn		Freigegeben Checked		
		Konstr.-Gr. Department				
Benennung		Artikel-Nr.	Part No.			
Title		Zeichnungs-Nr.	Drawing No.		Format Size	
REAR COMBINATION LAMP 341419		341 563-00			A4	
Ersatz fuer Replaces		Blatt: Page:	Blattzahl: Of:			
CATIA:		Dok. -Status:				

Determining the lower, upper and lateral limits of the illuminating surface of the lamp device.

According to European DIRECTIVE 91/663/EEC, Annex I "Installation of lighting and light-signalling devices", clause 1.9.2.

According to ECE regulation 48/01 "Installation of lighting and light-signalling devices", clause 2.9.2.



Function	upper limit	lower limit	outer limit	inner limit
	(U) mm	(L) mm	(O) mm	(I) mm
Reversing lamp	37	41	44	38
Rear fog lamp	36	39	45	45
Rear direction indicator lamp	46	40	44	43
Triangular retro-reflector class IIIA	63	63	71	71
Rear retro-reflector class IA	57	57	57	57
Rear position (side) lamp	35	38	30	45
Stop lamp	36	38	28	41
Side-marker lamp/ rear position (side) lamp	10	16	9	9
Side retro-reflector class IB	49	49	32	16



Belongs drw. no. 341 563

				Aenderung Rev. Description		A-Nr. Rev. No.	Datum Date	K-Gr. /Userid Depart. /Userid
20	30	A-Index Rev. Ind	war was	Blatt Page				

Diese Unterlage ist vertraulich zu behandeln. Ihre Weitergabe sowie die Verwertung und Mitteilung ihres Inhalts ist nur mit unserer ausdruecklichen Genehmigung gestattet. Wir behalten uns alle Rechte vor, insbesondere das Recht zur Schutzrechtsanmeldung.

This document is confidential. It's contents are not to be exploited, passed on or disclosed to third parties without our express permission. All rights reserved.

Masstab Scale	Erstellt/Entw. Drawn	Datum Date	Userid	<b>HELLA</b> Hella Lighting Finland
Projektionsmethode Projection	Freigegeben Checked	25.09.2001	EHA	
	Konstr. -Gr. Department	25.09.2001	PEI	
Benennung REAR COMBINATION LAMP 1190				Artikel-Nr. Part No.
Title ILLUMINATING SURFACE				Zeichnungs-Nr. Drawing No.
Ersatz fuer Replaces				Blatt: Page:
CATIA:				Blattzahl: Of:
				Dok. -Status:
				Format Size A4

N E D E R L A N D  
( THE NETHERLANDS )

## COMMUNICATION

Concerning: APPROVAL GRANTED  
~~APPROVAL EXTENDED~~  
~~APPROVAL REFUSED~~  
~~APPROVAL WITHDRAWN~~  
~~PRODUCTION DEFINITELY DISCONTINUED~~

of a type of reversing light pursuant to Regulation No. 23

Approval No.: E4 - 23R - 00 9836

Extension No.: --

Approval mark:

00-AR



9836

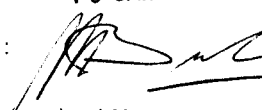
- |   |   |   |   |
|---|---|---|---|
| 1 | Trade name or mark of the device                            | : | HELLA or TALMU  |
| 2 | Manufacturer's name for the type of device                  | : | 341419  |
| 3 | Manufacturer's name and address                             | : | Hella Lighting Finland Oy<br>Inkereentie 566<br>Fin-24280 Salo<br>Finland |
| 4 | Name and address of his representative                      | : | --  |
| 5 | Submitted for approval on                                   | : | 3 December 2001   |
| 6 | Technical service responsible for conducting approval test  | : | N.V. KEMA   |
| 7 | Date of test report   | : | 9 January 2002  |
| 8 | Number of test report                                       | : | 01-168  |
| 9 | Concise description<br>Number and category of filament lamp | : | 1x P21W   |




Approval No.: E4 - 23R - 00 9836

Extension No.: --

- 10 Position of the approval mark : see annexed drawing
- 11 Comments  
This device shall be installed on a vehicle  
only as part of a pair of devices : yes/no
- 12 Reasons for extension if applicable : --
- 13 Approval granted/~~refused~~/~~extended~~/~~withdrawn~~
- 14 Place : Zoetermeer
- 15 Date : 10 JAN. 2002
- 16 Signature :

  
ing. A.M. Boekestein



- 17 The list of documents deposited with the Administrative Service which has granted approval is annexed to this communication and may be obtained on request:
- 1 drawing No. 341 563-00 (annexed)
  - 1 table with the dimensions of the illuminating surfaces No. 341 575-00 (annexed)
  - test report as mentioned in item 8

rear position (side) lamp reciprocally incorporated with stop lamp category S1 colour: red lamp: P21W/5W

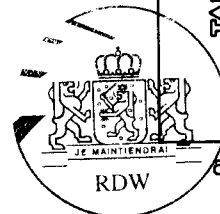
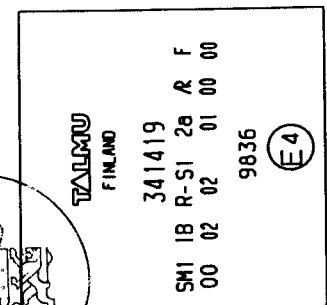
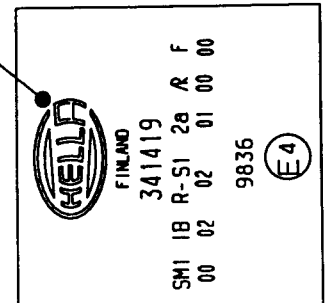
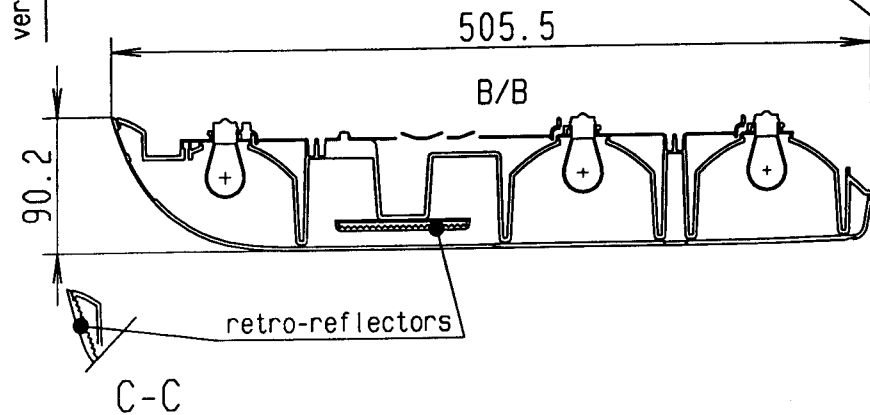
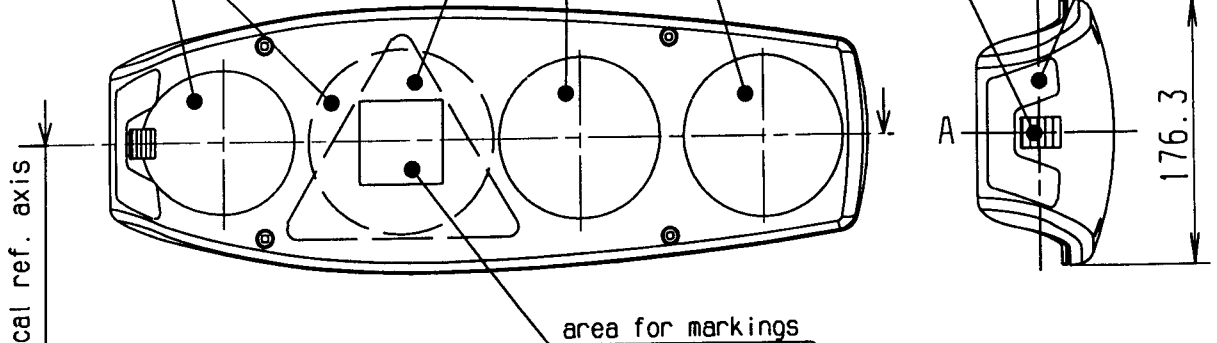
alternative: triangular retro-reflector class IIIA or rear retro-reflector class IA

direction indicator category 2a colour: amber lens colour: clear lamp: PY21W

alternative: rear fog lamp colour: red lamp: P21W or reversing lamp colour: clear lamp: P21W

side marker lamp combined with rear position (side) lamp category: SM1 colour: red lamp: P21W/5W

side retro-reflector class IB colour: red



LENS MATERIAL: PMMA  
RETRO REFLECTORS MATERIAL: PMMA

20	30	A-Index	war	Blatt	Aenderung	A-Nr.	Datum	K-Gr./User id
		Rev. Ind	was	Page	Rev. Description	Rev. No.	Date	Depart./User id

Diese Unterlage ist vertraulich zu behandeln. Ihre Weitergabe sowie die Verwertung und Mitteilung ihres Inhalts ist nur mit unserer ausdruecklichen Genehmigung gestattet. Wir behalten uns alle Rechte vor, insbesondere das Recht zur Schutzrechtsanmeldung.

This document is confidential. It's contents are not to be exploited, passed on or disclosed to third parties without our express permission. All rights reserved.

Masstab Scale	---	Datum Date	04.09.2001	Userid	EHA
Projektionsmethode Projection		Erstellt/Entw. Drawn		Freigegeben Checked	
		Konstr.-Gr. Department			



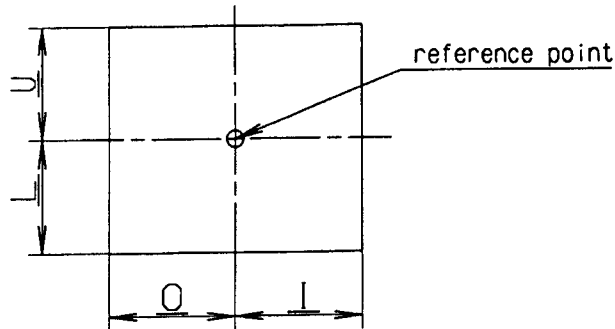
Benennung	Artikel-Nr.	Part No.
Title	Zeichnungs-Nr.	Drawing No.
REAR COMBINATION LAMP 341419	341 563-00	Format Size A4
Ersatz fuer Replaces	Blatt: Page:	Blattzahl: Of:
CATIA:	Dok. -Status:	



Determining the lower, upper and lateral limits of the illuminating surface of the lamp device.

According to European DIRECTIVE 91/663/EEC, Annex I "Installation of lighting and light-signalling devices", clause 1.9.2.

According to ECE regulation 48/01 "Installation of lighting and light-signalling devices", clause 2.9.2.



Function	upper limit (U) mm	lower limit (L) mm	outer limit (O) mm	inner limit (I) mm
Reversing lamp	37	41	44	38
Rear fog lamp	36	39	45	45
Rear direction indicator lamp	46	40	44	43
Triangular retro-reflector class IIIA	63	63	71	71
Rear retro-reflector class IA	57	57	57	57
Rear position (side) lamp	35	38	30	45
Stop lamp	36	38	28	41
Side-marker lamp/rear position (side) lamp	10	16	9	9
Side retro-reflector class IB	49	49	32	16


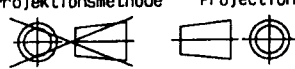


Belongs drw. no. 341 563

2D	3D	A-Index Rev. Ind	war was	Blatt Page	Aenderung Rev. Description	A-Nr. Rev. No.	Datum Date	K-Gr./User id Depart./User id

Diese Unterlage ist vertraulich zu behandeln. Ihre Weitergabe sowie die Verwertung und Mitteilung ihres Inhalts ist nur mit unserer ausdrücklichen Genehmigung gestattet. Wir behalten uns alle Rechte vor, insbesondere das Recht zur Schutzrechtsanmeldung.

This document is confidential. It's contents are not to be exploited, passed on or disclosed to third parties without our express permission. All rights reserved.

Masztab Scale	Erstellt/Entw. Drawn	Datum Date	User id	 <b>Hella Lighting Finland</b>
Projektionsmethode Projection	Freigegeben Checked	25.09.2001	EHA	
	Konstr.-Gr. Department	25.09.2001	PEI	
Benennung REAR COMBINATION LAMP 1190				Artikel-Nr. Part No.
Title ILLUMINATING SURFACE				Zeichnungs-Nr. Drawing No. 341 575-00
Ersatz fuer Replaces				Format Size A4
CATIA:				Blatt: Page
				Blattzahl: Of:
				Dok.-Status:

N E D E R L A N D  
( THE NETHERLANDS )

## COMMUNICATION

Concerning: APPROVAL GRANTED  
~~APPROVAL EXTENDED~~  
~~APPROVAL REFUSED~~  
~~APPROVAL WITHDRAWN~~  
PRODUCTION DEFINITELY DISCONTINUED

of a type of rear fog lamp pursuant to Regulation No. 38

Approval No.: E4 - 38R - 00 9836

Extension No.: --

Approval mark:

F-00



9836


- |   |   |   |   |
|---|---|---|---|
| 1 | Trade name or mark of the device                            | : | HELLA or TALMU  |
| 2 | Manufacturer's name for the type of device                  | : | 341419  |
| 3 | Manufacturer's name and address                             | : | Hella Lighting Finland Oy<br>Inkereentie 566<br>Fin-24280 Salo<br>Finland |
| 4 | Name and address of his representative                      | : | --  |
| 5 | Submitted for approval on                                   | : | 3 December 2001   |
| 6 | Technical service responsible for conducting Approval test  | : | N.V. KEMA   |
| 7 | Date of test report   | : | 9 January 2002  |
| 8 | Number of test report                                       | : | 01-168  |
| 9 | Concise description<br>Number and category of filament lamp | : | 1x P21W   |




Approval No.: E4 - 38R - 00 9836

Extension No.: --

- 10 Position of the approval mark : see annexed drawing
- 11 Reasons for extension if applicable : --
- 12 Approval granted/~~refused~~/~~extended~~/~~withdrawn~~
- 13 Place : Zoetermeer
- 14 Date : 10 JAN. 2002
- 15 Signature :

  
ing. A.M. Boekestein



- 16 The list of documents deposited with the Administrative Service which has granted approval is annexed to this communication and may be obtained on request:
- 1 drawing No. 341 563-00 (annexed)
  - 1 table with the dimensions of the illuminating surfaces No. 341 575-00 (annexed)
  - test report as mentioned in item 8

rear position (side) lamp reciprocally incorporated with stop lamp category S1 colour: red lamp: P21W/5W

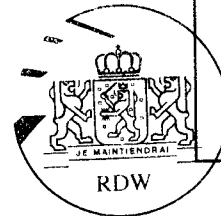
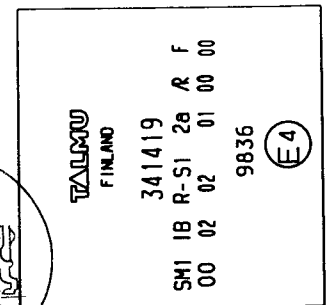
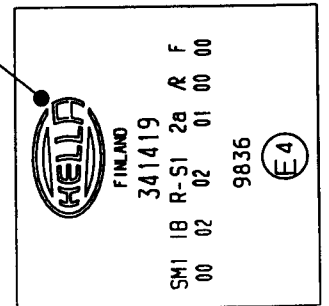
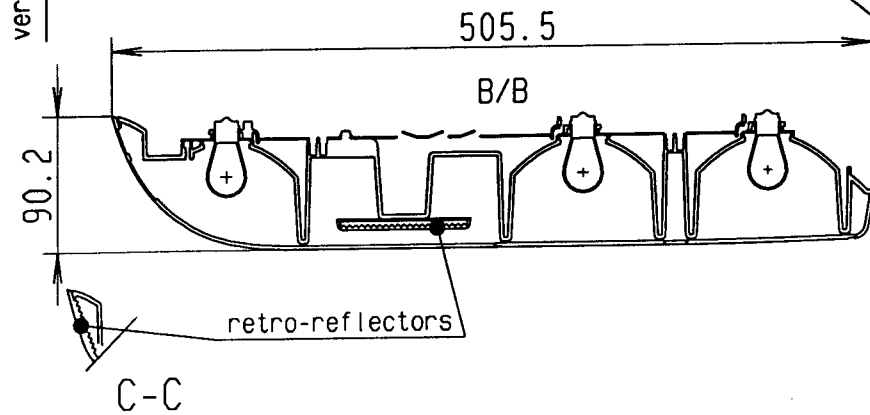
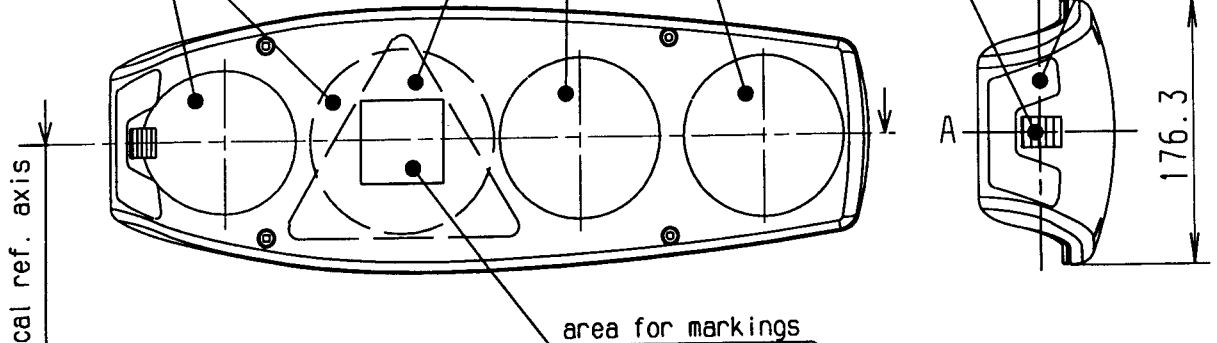
alternative: triangular retro-reflector class IIIA or rear retro-reflector class IA

direction indicator category 2a colour: amber lens colour: clear lamp: PY21W

alternative: rear fog lamp colour: red lamp: P21W or reversing lamp colour: clear lamp: P21W

side marker lamp combined with rear position (side) lamp category: SM1 colour: red lamp: P21W/5W

side retro-reflector class IB colour: red



LENS MATERIAL: PMMA  
RETRO REFLECTORS MATERIAL: PMMA

20	30	A-Index Rev. Ind	war was	Blatt Page	Aenderung Rev. Description	A-Nr. Rev. No.	Datum Date	K-Gr. /User id Depart. /User id
----	----	---------------------	------------	---------------	-------------------------------	-------------------	---------------	------------------------------------

Diese Unterlage ist vertraulich zu behandeln. Ihre Weitergabe sowie die Verwertung und Mitteilung ihres Inhalts ist nur mit unserer ausdruecklichen Genehmigung gestattet. Wir behalten uns alle Rechte vor, insbesondere das Recht zur Schutzrechtsanmeldung.

This document is confidential. It's contents are not to be exploited, passed on or disclosed to third parties without our express permission. All rights reserved.

Masstab Scale	---	Datum Date	04.09.2001	Userid	EHA
Projektionsmethode Projection		Erstellt/Entw. Drawn		Freigegeben Checked	
		Konstr. -Gr. Department			

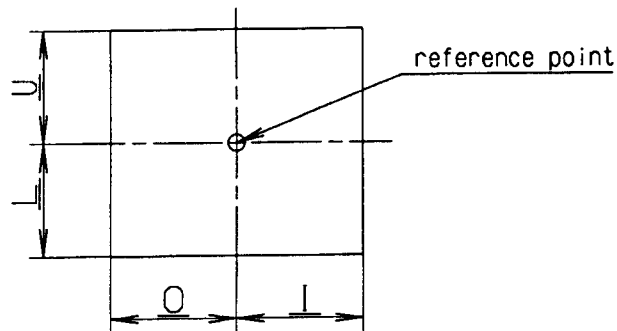


Benennung	Artikel-Nr.	Part No.
Title	Zeichnungs-Nr.	Drawing No.
REAR COMBINATION LAMP 341419	341 563-00	Format Size A4
Ersatz fuer Replaces	Blatt: Page:	Blattzahl: Of:
CATIA:	Dok. -Status:	

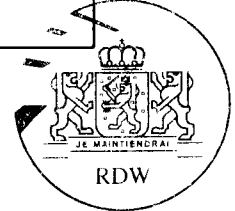
Determining the lower, upper and lateral limits of the illuminating surface of the lamp device.

According to European DIRECTIVE 91/663/EEC, Annex I "Installation of lighting and light-signalling devices", clause 1.9.2.

According to ECE regulation 48/01 "Installation of lighting and light-signalling devices", clause 2.9.2.



Function	upper limit (U) mm	lower limit (L) mm	outer limit (O) mm	inner limit (I) mm
Reversing lamp	37	41	44	38
Rear fog lamp	36	39	45	45
Rear direction indicator lamp	46	40	44	43
Triangular retro-reflector class IIIA	63	63	71	71
Rear retro-reflector class IA	57	57	57	57
Rear position (side) lamp	35	38	30	45
Stop lamp	36	38	28	41
Side-marker lamp/ rear position (side) lamp	10	16	9	9
Side retro-reflector class IB	49	49	32	16


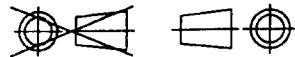


Belongs drw. no. 341 563

2D	3D	A-Index Rev. Ind	war was	Blatt Page	Aenderung Rev. Description	A-Nr. Rev. No.	Datum Date	K-Gr./User id Depart./User id

Diese Unterlage ist vertraulich zu behandeln. Ihre Weitergabe sowie die Verwertung und Mitteilung ihres Inhalts ist nur mit unserer ausdruecklichen Genehmigung gestattet. Wir behalten uns alle Rechte vor, insbesondere das Recht zur Schutzrechtsanmeldung.

This document is confidential. It's contents are not to be exploited, passed on or disclosed to third parties without our express permission. All rights reserved.

Masstab Scale	Datum Date	User id	 <b>Hella Lighting Finland</b>
Projektionsmethode Projection	Erstellt/Entw. Drawn	25.09.2001 EHA	
	Freigegeben Checked	25.09.2001 PEI	
Benennung REAR COMBINATION LAMP 1190		Artikel-Nr.	Part No.
Title ILLUMINATING SURFACE		Zeichnungs-Nr. 341 575-00	Drawing No. Format Size A4
Ersatz fuer Replaces	Blatt: Page:	Blattzahl: Of:	
CATIA:	Dok.-Status:		

N E D E R L A N D  
( THE NETHERLANDS )

## COMMUNICATION

Concerning: APPROVAL GRANTED  
~~APPROVAL EXTENDED~~  
~~APPROVAL REFUSED~~  
~~APPROVAL WITHDRAWN~~  
~~PRODUCTION DEFINITELY DISCONTINUED~~

of a type of side-marker lamp marked SM1 pursuant to Regulation No. 91

Approval No.: E4 - 91R - 00 9836

Extension No.: --

Approval mark:

00 SM1



9836

- |   |  |   |   |
|---|--|---|---|
| 1 | Trade name or mark of the device                           | : | HELLA or TALMU  |
| 2 | Manufacturer's name for the type of device                 | : | 341419  |
| 3 | Manufacturer's name and address                            | : | Hella Lighting Finland Oy<br>Inkereentie 566<br>Fin-24280 Salo<br>Finland |
| 4 | Name and address of his representative                     | : | --  |
| 5 | Submitted for approval on                                  | : | 3 December 2001   |
| 6 | Technical service responsible for conducting approval test | : | N.V. KEMA   |
| 7 | Date of test report  | : | 9 January 2002  |
| 8 | Number of test report                                      | : | 01-168  |
| 9 | Concise description  | : |   |
|   | Colour of light emitted                                    | : | amber/red   |
|   | Number and category of filament lamps                      | : | 1 x P21/5W ( 5 W filament)  |



Approval No.: E4 - 91R - 00 9836

Extension No.: --

- 10 Position of the approval mark : see annexed drawing
- 11 Reasons for extension if applicable : --
- 12 Approval granted/~~refused~~/~~extended~~/~~withdrawn~~
- 13 Place : Zoetermeer
- 14 Date : 10 JAN. 2002
- 15 Signature :

  
ing. A.M. Boekestein



RDW

- 16 The list of documents deposited with the Administrative Service which has granted approval is annexed to this communication and may be obtained on request:
- 1 drawing No. 341 563-00 (annexed)
  - 1 table with the dimensions of the illuminating surfaces No. 341 575-00 (annexed)
  - test report as mentioned in item 8

rear position (side) lamp reciprocally incorporated with stop lamp category S1 colour: red lamp: P21W/5W

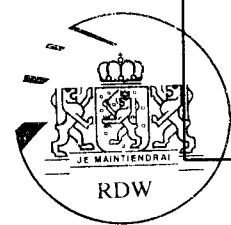
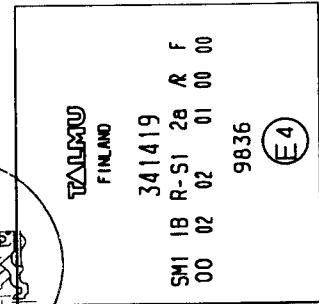
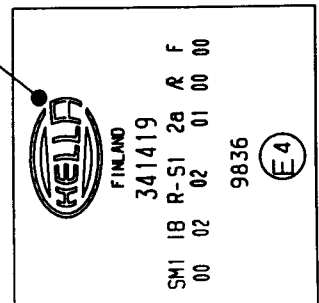
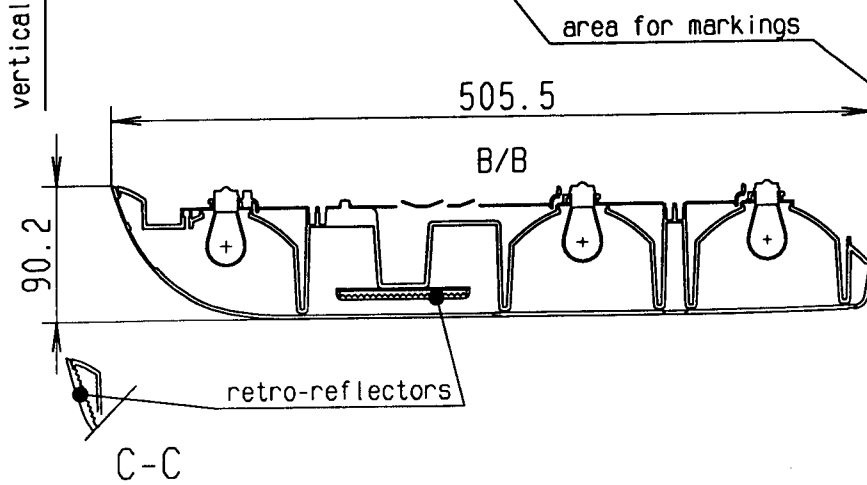
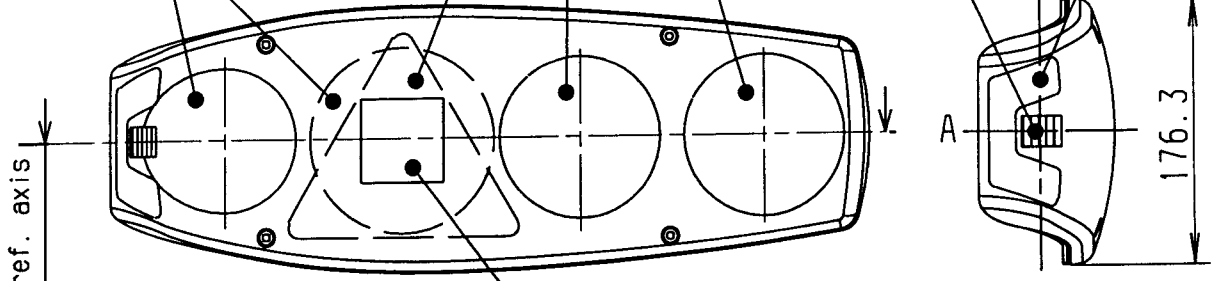
alternative: triangular retro-reflector class IIIA or rear retro-reflector class IA

direction indicator category 2a colour: amber lens colour: clear lamp: PY21W

alternative: rear fog lamp colour: red lamp: P21W or reversing lamp colour: clear lamp: P21W

side marker lamp combined with rear position (side) lamp category: SM1 colour: red lamp: P21W/5W

side retro-reflector class IB colour: red



LENS MATERIAL: PMMA  
RETRO REFLECTORS MATERIAL: PMMA

2D	3D	A-Index Rev. Ind	war was	Blatt Page	Aenderung Rev. Description	A-Nr. Rev. No.	Datum Date	K-Gr./Userid Depart./Userid
----	----	---------------------	------------	---------------	-------------------------------	-------------------	---------------	--------------------------------

Diese Unterlage ist vertraulich zu behandeln. Ihre Weitergabe sowie die Verwertung und Mitteilung ihres Inhalts ist nur mit unserer ausdruecklichen Genehmigung gestattet. Wir behalten uns alle Rechte vor, insbesondere das Recht zur Schutzrechtsanmeldung. This document is confidential. It's contents are not to be exploited, passed on or disclosed to third parties without our express permission. All rights reserved.

Masstab Scale	---	Datum Date	04.09.2001	Userid	EHA	
Projektionsmethode Projection		Erstellt/Entw. Drawn		Freigegeben Checked		
		Konstr.-Gr. Department				

Benennung	Artikel-Nr.	Part No.
-----------	-------------	----------

Title	Zeichnungs-Nr.	Drawing No.	Format Size
REAR COMBINATION LAMP 341419	341 563-00		A4

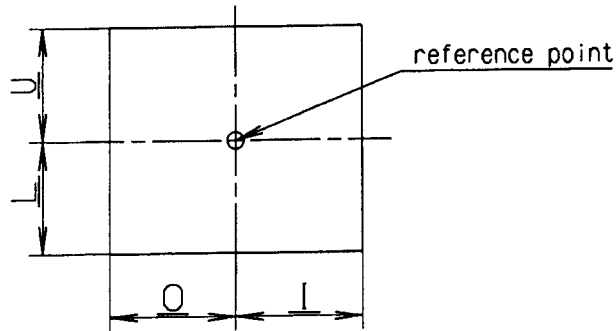
Ersatz fuer Replaces	Blatt: Page:	Blattzahl: Of:	Dok. -Status:
CATIA:			



Determining the lower, upper and lateral limits of the illuminating surface of the lamp device.

According to European DIRECTIVE 91/663/EEC, Annex I "Installation of lighting and light-signalling devices", clause 1.9.2.

According to ECE regulation 48/01 "Installation of lighting and light-signalling devices", clause 2.9.2.



Function	upper limit (U) mm	lower limit (L) mm	outer limit (O) mm	inner limit (I) mm
Reversing lamp	37	41	44	38
Rear fog lamp	36	39	45	45
Rear direction indicator lamp	46	40	44	43
Triangular retro-reflector class IIIA	63	63	71	71
Rear retro-reflector class IA	57	57	57	57
Rear position (side) lamp	35	38	30	45
Stop lamp	36	38	28	41
Side-marker lamp/ rear position (side) lamp	10	16	9	9
Side retro-reflector class IB	49	49	32	16


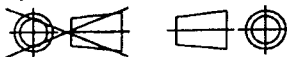


Belongs drw. no. 341 563

2D/3D	A-Index Rev. Ind	was was	Blatt Page	Aenderung Rev. Description	A-Nr. Rev. No.	Datum Date	K-Gr./Userid Depart./Userid

Diese Unterlage ist vertraulich zu behandeln. Ihre Weitergabe sowie die Verwertung und Mitteilung ihres Inhalts ist nur mit unserer ausdruecklichen Genehmigung gestattet. Wir behalten uns alle Rechte vor, insbesondere das Recht zur Schutzrechtsanmeldung.

This document is confidential. It's contents are not to be exploited, passed on or disclosed to third parties without our express permission. All rights reserved.

Masztab Scale	Erstellt/Entw. Drawn	Datum Date	Userid	 <b>Hella Lighting Finland</b>	
Projektionsmethode Projection	Freigegeben Checked	25.09.2001	EHA		
	Konstr.-Gr. Department	25.09.2001	PEI		
Benennung REAR COMBINATION LAMP 1190				Artikel-Nr. Part No.	
Title ILLUMINATING SURFACE				Zeichnungs-Nr. Drawing No. 341 575-00	Format Size A4
Ersatz fuer Replaces				Blatt: Page:	Blattzahl: Of:
CATIA:				Dok.-Status:	