

Product Catalog

Car Aftermarket Sunroofs

2016

For internal use only
at installation partners!



Dear Partners,

This catalogue provides you with everything you need to know about our sunroofs and relevant accessories. It should enable you to prepare offers quickly and simply and to provide information at any time. If you have technical questions beyond the scope of this price list or require installation support, simply call our technical hotline.

We wish you much enjoyment and success with our products.

Sincerely,

Your Webasto Team

Contents

An overview of Webasto	4
Products	6
Hollandia 100 – Pop-up roof	8
Hollandia 300 – Tilt and slide roof	12
Hollandia 400 – Folding roof	24
Hollandia 700 – Integrated tilt and slide roof	30
Operating elements	34
Material list	36
Terms of Use	44

An overview of Webasto

About Webasto

Webasto Group based in Stockdorf near Munich has been a family-owned business ever since the company was founded in 1901. Internationally, the group has more than at 50 locations (including over 30 production plants) dedicated to the business sectors roof and thermal systems. Webasto is one of the top 100 automotive suppliers worldwide. The company's core competencies include development, production and sales of roof and convertible systems as well as heating, cooling and ventilation systems for passenger cars, recreational vehicles, boats as well as commercial and special vehicles.

Tried-and-tested quality

Webasto sunroofs undergo internal endurance tests at the factory in order to prove their uniformly high standards in terms of weathertightness and the ability to withstand stress. In a wide variety of test series, the individual roofs are subjected to, among others, steady rain, extreme stress, arctic weather conditions and strong soiling. Professional installation represents a further column in Webasto's philosophy of quality. This is carried out solely by highly qualified partners who are certified regularly in training sessions and who undergo further education. The detailed test series and the excellent training of our partners make it possible for us to provide you with top Webasto quality; this is confirmed regularly by the German TÜV testing authority. Make your decision for the number-one provider of car roof systems in the world, and look forward to the 3-year warranty.

All around safety

Webasto sunroofs represent not only for excellent quality, but also for exceptional safety. The Auto-Close system automatically closes the sunroof when parking to keep out rain, dirt and unwelcomed visitors. The Auto-Retract system prevents the sunroof from closing if the opening is blocked. The tinted protective Venus® glass reflects UV radiation and solar heat and does not impair light. With these technical features we are able to offer our clients safety and peace of mind while driving.



General information.

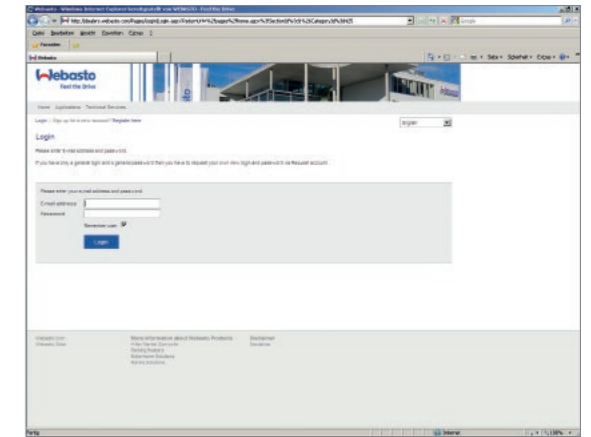
Our sales and delivery terms always apply for deliveries. The prices given reflect the recommended retail prices in euro and do not include VAT. This price list replaces all other prior price lists null and void. Subject to change without notice and errors and omissions excepted.

The Webasto dealer portal

<http://dealers.webasto.com>

Through a secured access you receive comprehensive information on all Webasto products.

- Showroom
- Application data/Vehicle Specific Installation Advice
- Technical documentation
- Training material
- Warranty procedures

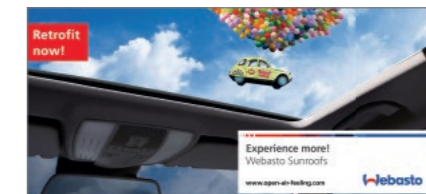
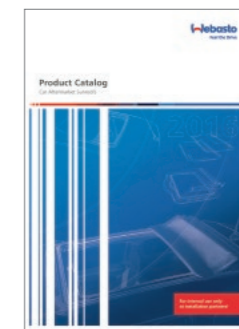


Your marketing material

www.webasto-media.com

The Media Server assists you with advertising materials as printable data for your individual requirements.

- Extensive photo material
- Ads and mailing templates
- Sales arguments
- Endcustomer brochures and flyers
- Posters and much more



The sunroof website

www.open-air-feeling.com

The website for end customers with comprehensive information on Webasto sunroofs.

- Products and its advantages
- International dealer locator
- Product configurator





Products

The product range for aftermarket car sunroofs includes the most diverse sunroofs. You have the right sunroof at hand for every client wish.

Hollandia 100 –
Pop-up roof



Hollandia 300 –
Tilt and slide roof

NEW



Hollandia 400 –
Folding roof



Hollandia 700 –
Integrated tilt and slide roof



Hollandia 100

Pop-up roof

This classic pop-up roof brings the full Webasto open-air comfort at an attractive price. As a classic entry level model the Hollandia 100 provides a great feeling of space and pleasant fresh air.

Hollandia 100

Model overview	TAN	Part No.	Net price in EUR
Deluxe manual	-	3393396A	-

Accessories	Part No.	Net price in EUR
Kit RSR set Hollandia 100/300/500	335SLR0000	-

Model overview/Technical data

	Deluxe
Dimensions of glass element W x L (mm)	748 x 378
Visible glass element W x L (mm)	702 x 335
Tilt height (mm)	85
Operation and accessories	
Manual	■

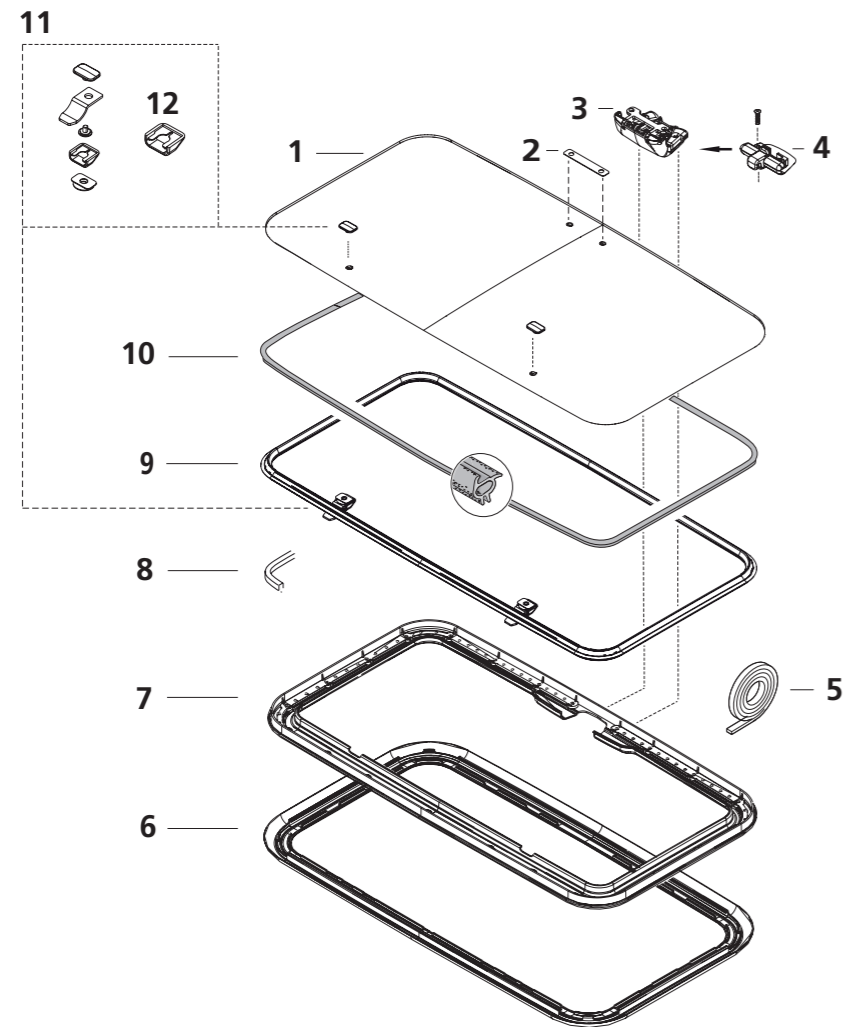


Mode of operation: Pop-up roof



Hollandia 100

Pop-up roof



Parts list

Item No.	Part No.	Description	Repair-time (min.)
1	3394357A	Glass panel assy (Venus) H100-II	10
2	3394358A	Handle attachment assy H100-II	15
3	3394359A	Latch handle assy H100-II	15
4	3394362A	Latch handle holder H100-II	15
5	61NSMR0719200	Sealing tape	50
6	3394363A	Headliner cover light grey	10
7	3394372A	Lower frame H100-II	20
8	61NPOR0729800	U-profile for lower frame	20
9	61NPOR0756400	Upper frame 14 mm including Pos. 5 and 10	35
10	61NSMR0756300	Main seal (1985-)	35
11	3394375A	Front hinge unit H100-II	15
12	3394376A	Hinge cover H100-II	5

Hollandia 300

Tilt and slide roof

The Hollandia 300 is one of Webasto's most popular sunroofs. The spoiler roof is ideal for coupés and hatchback cars.

Hollandia 300 Entry NEW

Model overview	TAN	Part No.	Net price in EUR
Entry FD (front drive)	19343	3395212A	295,00
Entry RD (rear drive)	19343	3395213A	295,00
Entry FD + RSR	19343	3396553A	353,00
Entry RD + RSR	19343	3396554A	353,00

Hollandia 300 Comfort NEW

Model overview	TAN	Part No.	Net price in EUR
Comfort FD (front drive)	19343	3395214A	375,00
Comfort RD (rear drive)	19343	3395215A	375,00
Comfort FD + RSR	19343	3396555A	433,00
Comfort RD + RSR	19343	3396556A	433,00
Comfort USA FD + RSR	19343	3395408B	443,00
Comfort USA RD + RSR	19343	3395407B	443,00

Accessories	Part No.	Net price in EUR
Trimshell H300 Entry FD	3395770A	40,00
Trimshell H300 Entry RD	3395775A	40,00
Trimshell H300 Comfort FD grey	3395766A	60,00
Trimshell H300 Comfort FD beige	3395767A	60,00
Trimshell H300 Comfort FD black	3395768A	60,00
Bare Trimshell H300 Comfort FD	3395769A	56,00
Trimshell H300 Comfort RD grey	3395771A	60,00
Trimshell H300 Comfort RD beige	3395772A	60,00
Trimshell H300 Comfort RD black	3395773A	60,00
Bare Trimshell H300 Comfort RD	3395774A	56,00
RSR set H300 E&C	3395322A	81,00

The trimshell must always be ordered in additionally!



Model overview/Technical data

	Entry	Comfort
Dimensions of glass element W x L (mm)	748 x 448	748 x 448
Visible glass element W x L (mm)	600 x 350	600 x 330
Tilt height (mm)	52	52
Slide opening length (mm)	250	250
Operation and accessories		
Electric	■	
Soft Touch		■
Auto-Close system		■
Rollo		■
Trimshell	PP-carrier/non-woven textile (grey)	PP-carrier/fabric (3 colors)

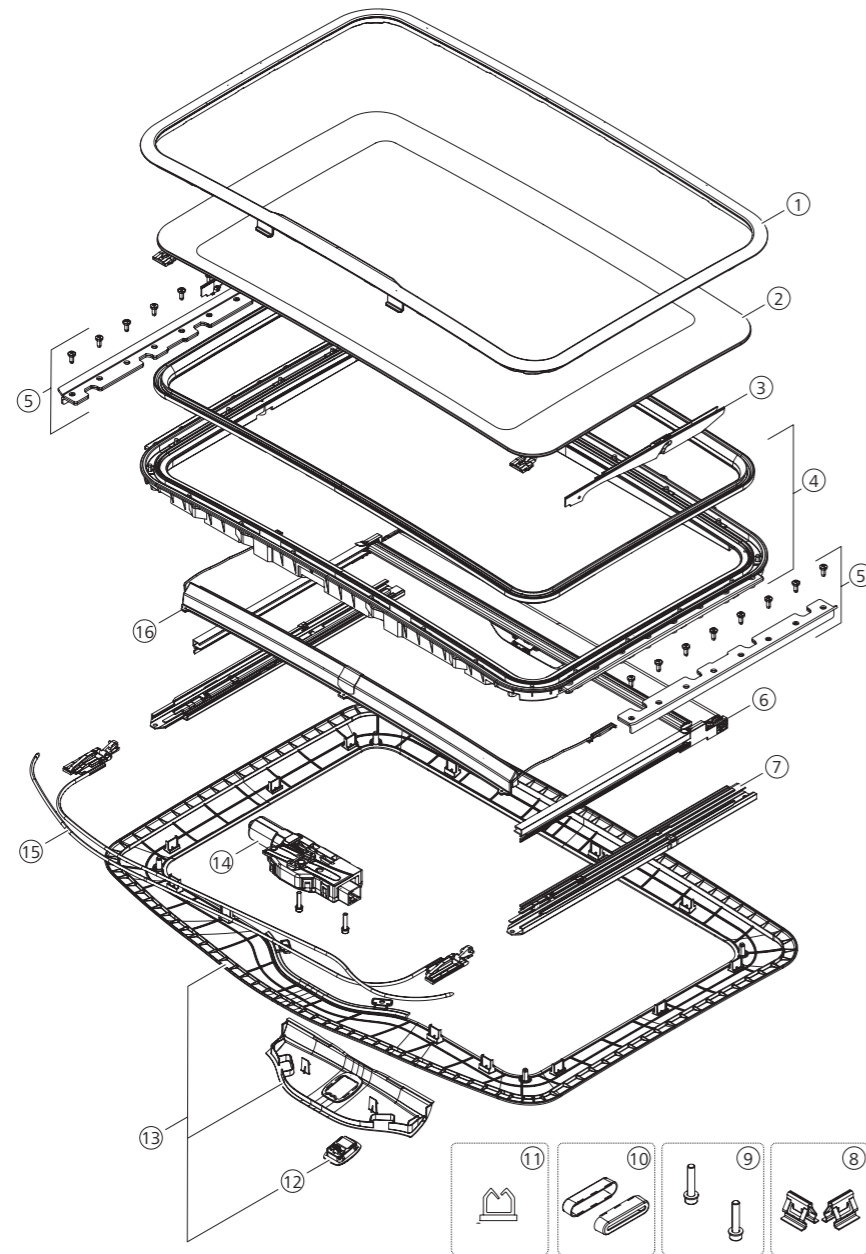
■ Standard

Mode of operation: Tilt and slide roof



Hollandia 300

Exclusive Large

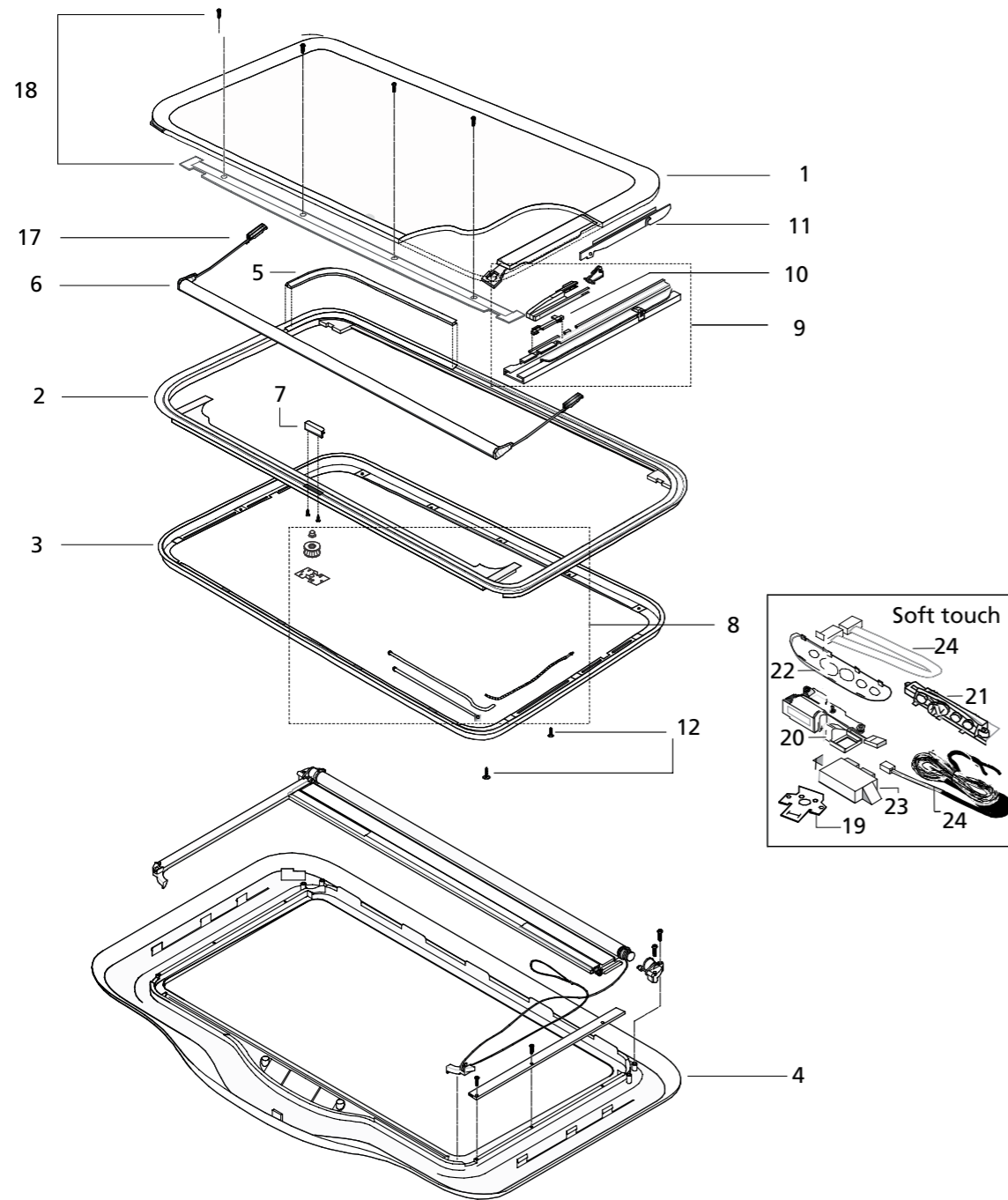


Parts list

Item No.	Part No.	Description	Repair-time (min.)
1	33S3LR4124	Glass Panel Venus	40
2	33S3LR3221	Locker slide LH/RH	50
3	33S3LR3210	Stop LH/RH	5
4	33S3LR3208	Mechanism LH	50
4	33S3LR3209	Mechanism RH	50
5	33S3LR3207	Drive cables electrical	50
6	33S3LR0001	Sunshade	60
7	33S3LR4121	Sunshade guides	0
8	33S70R0006	Handle sunshade S7	5
9	33S70R3972	Sunshade guides steel	5
10	33S3LR3211	Louvre black	15
11	33S3LR3212	Speednut	0
12	33S3LR0008	Set Motor Cover ST	0
13	33S3LR0011	Set Flatcable SCU-OP/UI	15
14	33S3LR0018	Set UI H3DL L Excl. ST	5
15	33S3MR0015	Wiring harness	0
16	33S3LR0009	Set SCU H3L	15
Without img.	33S3LR4137	Motor with soft touch	35
Without img.	33S3LR0016	Wire Harness H3L DL Excl	0
Without img.	33S3LR3227	Switch	3
Without img.	33S3LR4120	Switch anthracite	3
Without img.	33S3LR3226	Motor cover	30
Without img.	33S3LR4136	Set Motor EL. Hollandia 300 DL L	35
Without img.	33S3LR3987	Edge trim (2.6 meter)	15
Without img.	33S3LR3225	Subframe assy	80
Without img.	33S3LR3217	Mounting set underframe	0
Without img.	33S3LR3224	Retainerring 860 service set	20
Without img.	33S3LR3206	Glass holder + screws	70
Without img.	33S3LR3222	Set Assy topframe/dry	40
Without img.	33S3LR3203	Seal	30
Without img.	33S3LR3204	Wind deflector	5
Without img.	33S3LR3205	Mounting block LH/RH	5

Hollandia 300

Deluxe Large

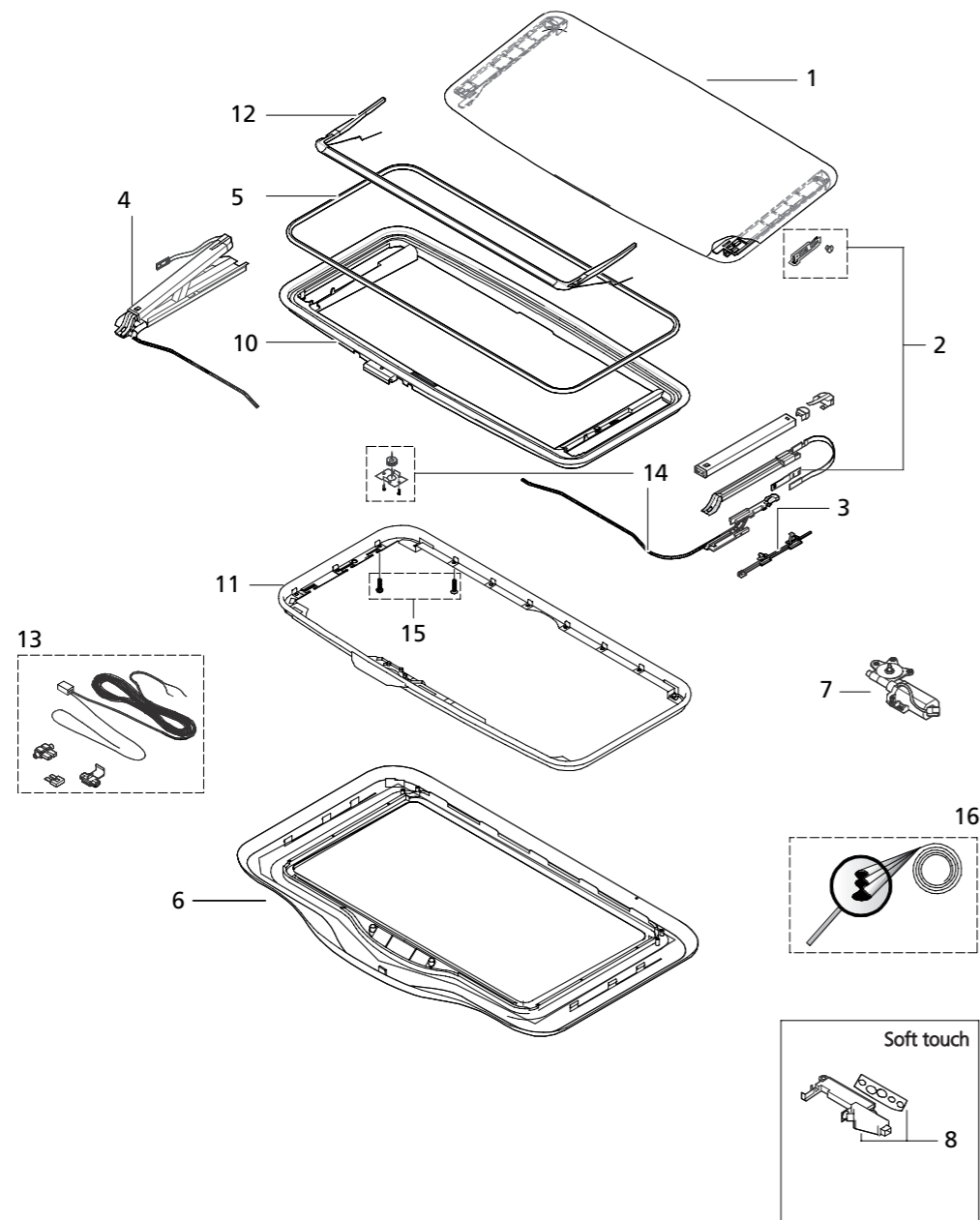


Parts list

Item No.	Part No.	Description	Repair-time (min.)
1	3353LR4124	Glass panel Venus	40
2	3353LR3222	Set Assy topframe/dry	40
3	3353LR3224	Retainerring 860 service set	20
4	3390930A	Set trim shell/rollo, beige	0
4	3353LR0004	Set trim shell/rollo, grey	15
5	3353LR3203	Seal	30
6	3353LR3204	Wind deflector	5
7	3353LR3206	Glass holder + screws	70
8	3353LR3207	Drive cables electrical	50
9	3395816A	Mechanism set LH & RH	55
10	3353LR3210	Stop LH/RH	5
11	3353LR3221	Locker slide LH/RH	50
12	3353LR3217	Mounting set underframe	0
Without img.	3353LR4136	Set Motor EL. Hollandia 300 DL L	35
Without img.	3353LR0012	Set Control Panel EL.	5
Without img.	3353LR0013	Set Switch Assy H3L EL.	15
Without img.	3353MR0015	Wiring harness	0
17	3353LR3205	Mounting block LH/RH	5
18	3353LR0006	Set Trimsh. Front Cover	5
19	3353LR0007	Set Motor Bracket	20
20	3353LR4137	Motor with soft touch	35
21	3353LR0010	Set Operation Panel	15
22	3353MR0010	Cover control panel	5
23	3353LR0014	Set SCU RS-funct. H3L	0
24	3353LR0011	Set Flatcable SCU-OP/UI	15
24	3353LR0035	Set flatcable 4 m 8p.	15
Without img.	3353LR5131	Rubber template	0

Hollandia 300

Deluxe Medium

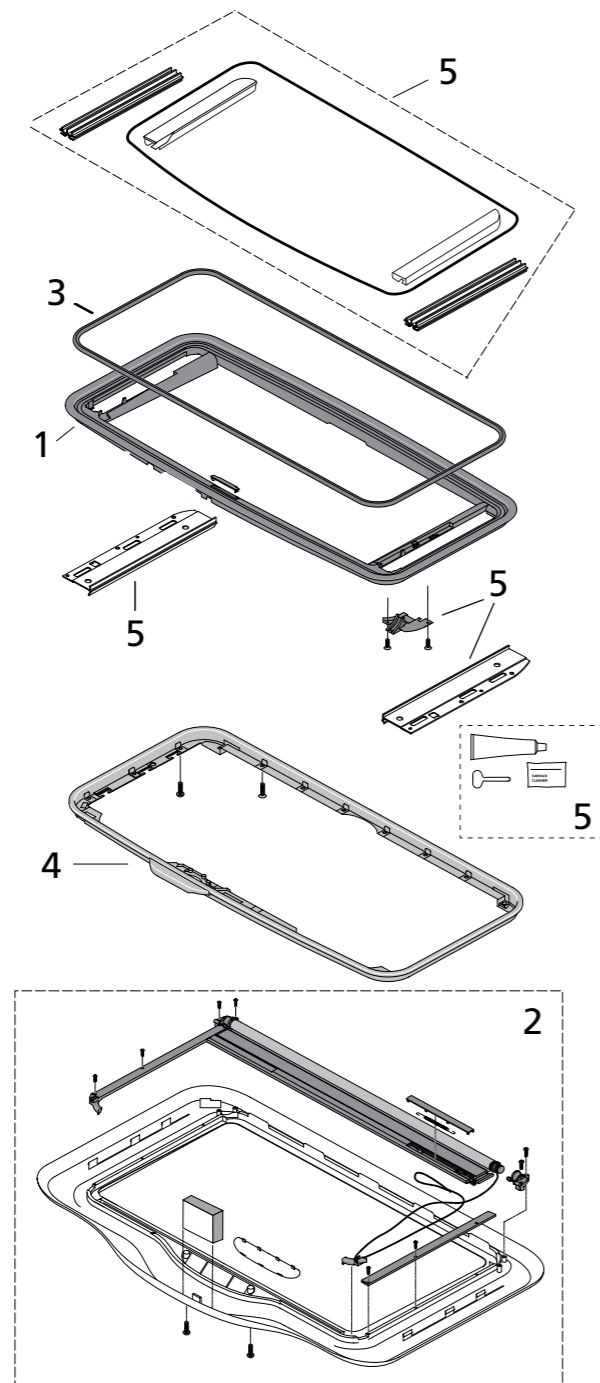


Parts list

Item No.	Part No.	Description	Repair-time (min.)
1	33S3MR0001A	Glass panel H300 Deluxe Medium	10
2	33S3MR0002	Glass panel fixation S300 M	5
3	33S3MR0003	Guide insert	45
4	33S3MR0028	Set mechanism	30
5	33S3MR0029	Set Seal for milled	30
6	33S3MR0026	Set Trimshell (w/o rollo)	30
6	33S3MR0006	Trimshell-rollo grey	15
7	3391077A	Motor Hollandia 300DLM HS	15
7	33S3MR0008	Motor Stratos 300 Medium	15
8	3391079A	Service Set SCU Hollandia 500 HS green	20
8	33S3MR0009	Sunroof Control Unit	20
8	33S5MR0001	Service Set SCU S500/S300 DLM	20
Without img.	33S3MR0010	Cover control panel	5
Without img.	33S3LR0012	Set Control Panel EL.	5
10	33S3LR0012	Set Control Panel EL.	30
11	33S3MR0012A	Clamp Frame Stratos 300	20
12	33S3MR0013	Wind deflector Stratos 300 Medium	5
13	33S3MR0015	Wiring harness	0
14	33S3MR0016	Drive cables	45
15	33S3MR0017	Screws clamp frame	0
16	33S3MR0020	Serv. set Finish Profile	10
Without img.	33S3MR0019	Plastic inner template S300 M	0
Without img.	33S3MR0018	Rubber outer template	0

Hollandia 300

Deluxe Medium FTM (roof element without function)

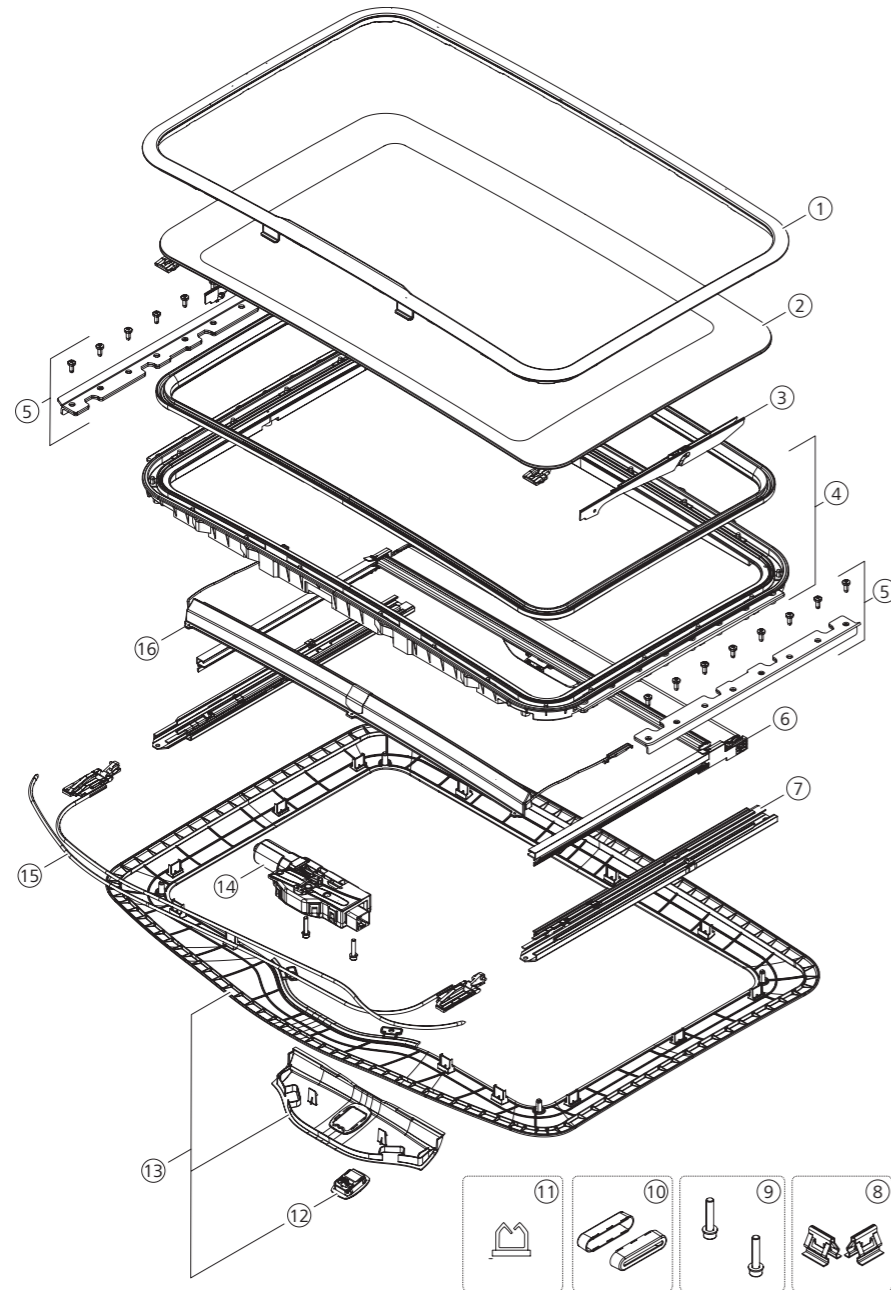


Parts list

Item No.	Part No.	Description	Repair-time (min.)
1	3353MR0030	Set milled topframe H3M	30
2	3353MR0006	Trimshell-rollo grey	15
3	3353MR0029	Set seal from Prod. 5112509	30
4	3353MR0012A	Clamp Frame Stratos 300	20
5	3355MR0002	Set fixed cover	20

Hollandia 300

Entry/Comfort



Parts list

Item No.	Part No.	Description	Repair-time (min.)
1	3395298A	Roof moulding black	40
1	3395299A	Roof moulding chrom	40
2	3395300A	Glass panel	90
3	3395320A	Sliding plates set	-
4	3395301A	Frame with seal	90
5	3395322A	RSR-System (2x)	15
6	3395317A	Rollo assy incl. handle	20
7	3395304A	Mechanism set Front Drive LH/RH	60
7	3395319A	Mechanism set Rear Drive LH/RH	60
8	3395305A	Clip set (14x)	-
9	3395306A	Screw/bolt set	-
10	3395307A	Sliding shoe set	20
11	3395318A	Harness clips (100x)	-
12	3395308A	Turtle Switch Entry Black	5
12	3395309A	Turtle Switch Comfort Black (Multiple Colour)	5
12	3395128A	Turtle Switch Comfort Black (White LED)	5
13	3395766A	Trimshell carrier, Trimshell cover and switch front drive Grey	10
13	3395767A	Trimshell carrier, Trimshell cover and switch front drive Beige	10
13	3395768A	Trimshell carrier, Trimshell cover and switch front drive Black	10
13	3395769A	Trimshell carrier, Trimshell cover and switch front drive Bare	10
13	3395770A	Trimshell carrier, Trimshell cover and switch front drive Entry	10
13	3395771A	Trimshell carrier, Trimshell cover and switch rear drive Grey	10
13	3395772A	Trimshell carrier, Trimshell cover and switch rear drive Beige	10
13	3395773A	Trimshell carrier, Trimshell cover and switch rear drive Black	10
13	3395774A	Trimshell carrier, Trimshell cover and switch rear drive Bare	10
13	3395775A	Trimshell carrier, Trimshell cover and switch rear drive Entry	10
14	3395310A	Motor Entry front drive	15
14	3395311A	Motor Entry rear drive	15
14	3395312A	Motor Comfort front drive	15
14	3395313A	Motor Comfort rear drive	15
14	3395314A	Motor Comfort front drive USA	15
14	3395315A	Motor Comfort rear drive USA	15
15	3395302A	Wind deflector	20
15	3395303A	Drive cable set front drive	75
16	3395316A	Drive cable set rear drive	75
Without img.	3395297A	Mounting set trimshell to headliner	-
Without img.	3395321A	Profile for headliner (10x)	-
Without img.	3396483A	Filling strip for soft wrap (10x)	5

Hollandia 400

Folding roof

The Hollandia 400 opens up an impressive 640 x 620 mm to turn almost any car into a semi-convertible. The sporty folding roof can be opened at random: from a narrow slit to a fully open roof.

Hollandia 400

Model overview	TAN	Part No.	Net price in EUR
Classic	90535	6154F04400	-
Deluxe Electric	90535	3396072A	-

Accessories	Part No.	Net price in EUR
Kit RSR set Hollandia 400 universal	3390915A	-

Model overview/Technical data

	Classic	Deluxe Electric
Size of folding roof W x L (mm)	832 x 1,130	
Slide opening W x L (mm)	640 x 620	
Operation and accessories		
Electric	■	

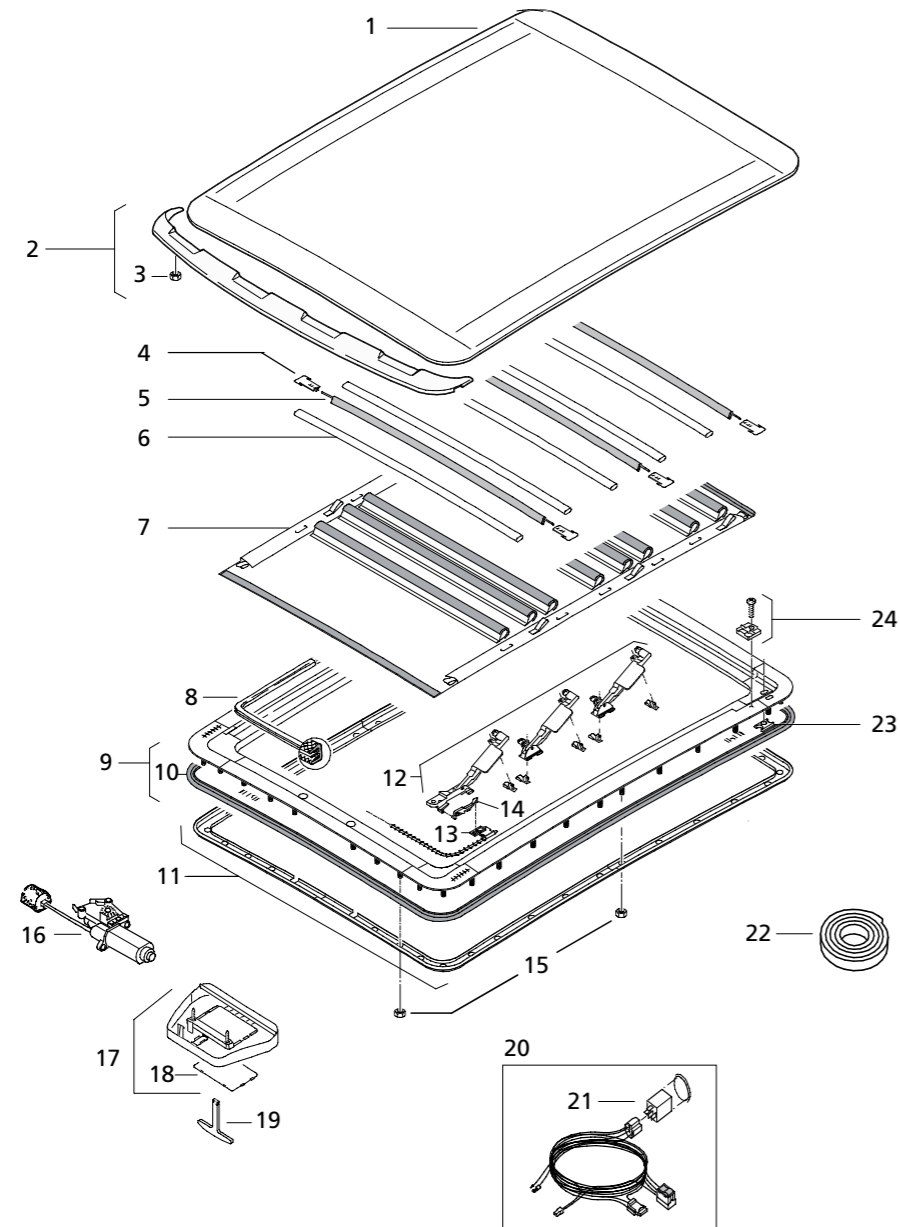


Mode of operation: Folding roof



Hollandia 400

Classic

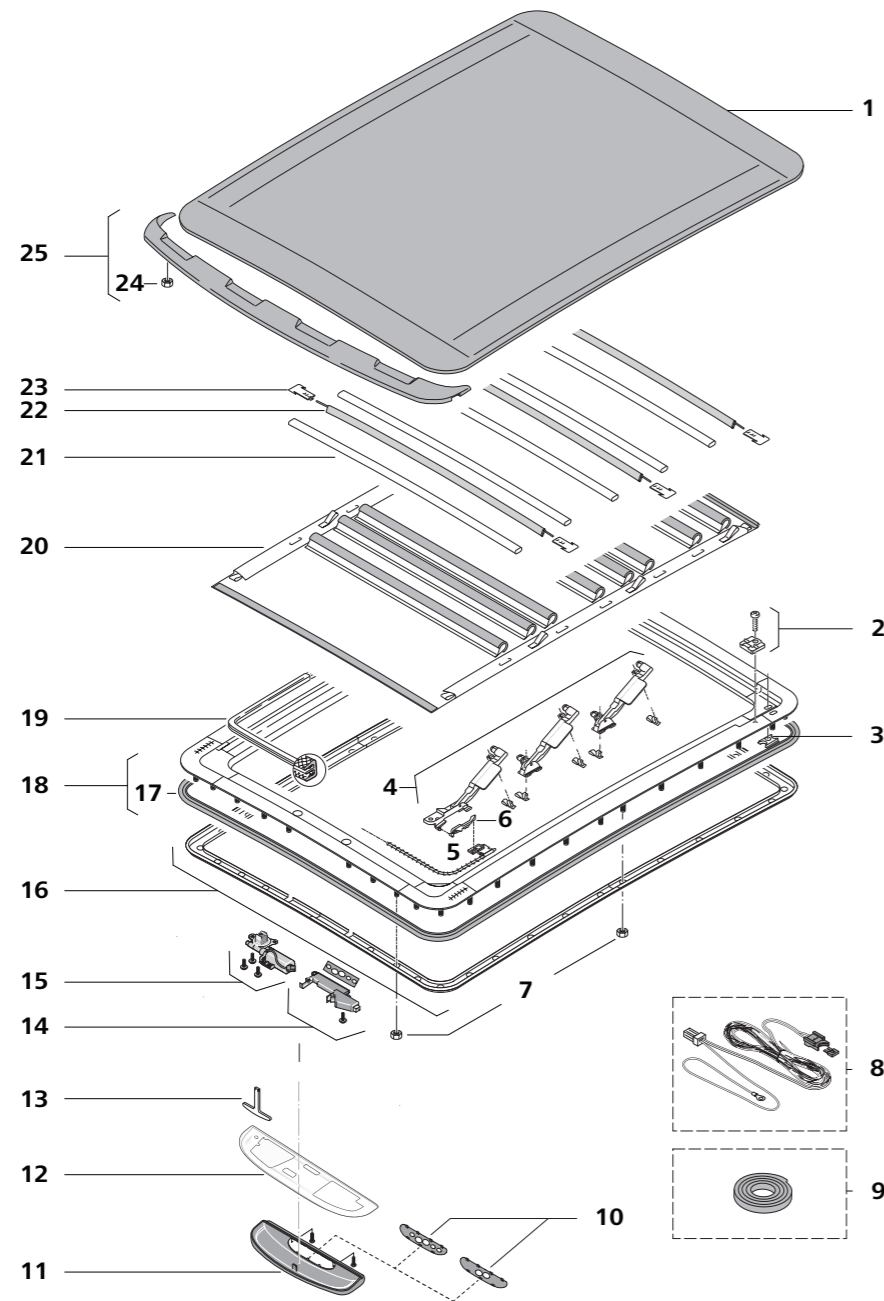


Parts list

Item No.	Part No.	Description	Repair-time (min.)
1	61S4FR0735000	Top Cover assy black	60
2	61S4FR0735100	Wind deflector	15
3	61S4FR0735200	Mounting set for wind deflector	15
4	61S4FR0733500	Endcap	25
5	61S4FR0735300	Bar Headliner	10
6	61S4FR0735400	Cross bar	50
7	61S4FR0735500	Headliner complete	60
8	61S4FR0735600	Edge profile	10
9	61S4FR0735700	Frame assy Hollandia 400 CL	110
9	61S4FR6107875	Frame assy Hollandia 400 CL	110
10	61S4FR0735800	Sealing for frame	105
11	61S4FR0735900	Clamp Frame	50
12	61S4FR0736800	Slide bar set complete	50
13	61S4FR6107889	Drive cables set Deluxe	60
14	61S4FR0734500	Elbow lever set incl. pos. 18	48
15	61S4FR0734200	Mounting set for frame	35
16	3307942A	Motor S 400 Classic	15
17	61S4FR0736300	Motor cover complete	5
18	61S4FR0736400	Emergency cap	0
19	61S4FR0723900	Emergency handle	0
20	61S4FR0736100	Wire Harness set standard motor	15
20	61S4FR6107852	Wire Harness set powerd motor	15
20	61S4FR6107851	Wire Harness set powerd motor	15
20	61S4FR6107850	Wire Harness set standard motor	15
21	61NSMR0733200	One touch open relay	10
22	61S4FR0758100	Foam sealing	60
23	61S4FR0734800	Spacer	40
24	61S4FR0734900	Stopper	30
Without img.	61S4FR0756000	Rubber cutting template Hollandia 400	0

Hollandia 400

Deluxe Electric



Parts list

Item No.	Part No.	Description	Repair-time (min.)
1	61S4FR0735000	Top Cover assy black	60
2	61S4FR0734900	Stopper	30
3	61S4FR0734800	Spacer	40
4	61S4FR0736800	Slide bar set complete	50
5	61S4FR6107889	Drive cables set Deluxe	60
6	61S4FR0734500	Elbow lever set incl. slider	48
7	61S4FR0734200	Mounting set for frame	35
8	33S3MR0015	Wiring harness	0
9	61S4FR0758100	Foam sealing	60
10	33S3MR0010	Cover control panel	5
10	3396087A	Cover control panel (EL)	5
11	61S4FR6107880	Motor cover	5
12	61S4FR0736750	Soft Wrap Bracket	0
13	61S4FR0723900	Emergency handle	0
14	61S4FR6107882	Control unit	10
14	3396086A	Control unit (EL)	10
15	61S4FR6107879	Motor	15
16	61S4FR0735900	Clamp Frame	50
17	61S4FR6107884	Frame assy	110
18	61S4FR0735800	Sealing for frame	105
19	61S4FR0735600	Edge profile	10
20	61S4FR0735500	Headliner complete	60
21	61S4FR0735400	Cross bar	50
22	61S4FR0735300	Bar Headliner	10
23	61S4FR0733500	Endcap	25
24	61S4FR0735200	Mounting set for wind deflector	15
25	61S4FR0735100	Wind deflector	15

Hollandia 700

Integrated tilt and slide roof

The Hollandia 700 was developed specifically for mid-size and luxury-class cars. This elegant tilt and slide sunroof with its new operating elements cannot be distinguished from an OEM sliding roof.

Hollandia 710

Model overview	TAN	Part No.	Net price in EUR
Comfort	-	3357100100C	-

Hollandia 730

Model overview	TAN	Part No.	Net price in EUR
Comfort	19326	3357300100C	-

Hollandia 735

Model overview	TAN	Part No.	Net price in EUR
Comfort	19327	3357500100C	-

Hollandia 740

Model overview	TAN	Part No.	Net price in EUR
Comfort	19328	3357400100C	-

Hollandia 790

Model overview	TAN	Part No.	Net price in EUR
Comfort	-	337900100C	-

Operating elements

The Entry versions' scope of delivery contains a black standard operating element. For the Comfort versions the operating element has to be ordered in addition to the basic unit. Therefore you can choose one of the following models:

Operating elements Comfort version	Part No.	Net price in EUR
Comfort black	3393192A	-
Comfort grey	3393193A	-
Comfort beige	3393194A	-

Accessories	Part No.	Net price in EUR
RSR set (150 mm)	33570R0027	-



Model overview/Technical data

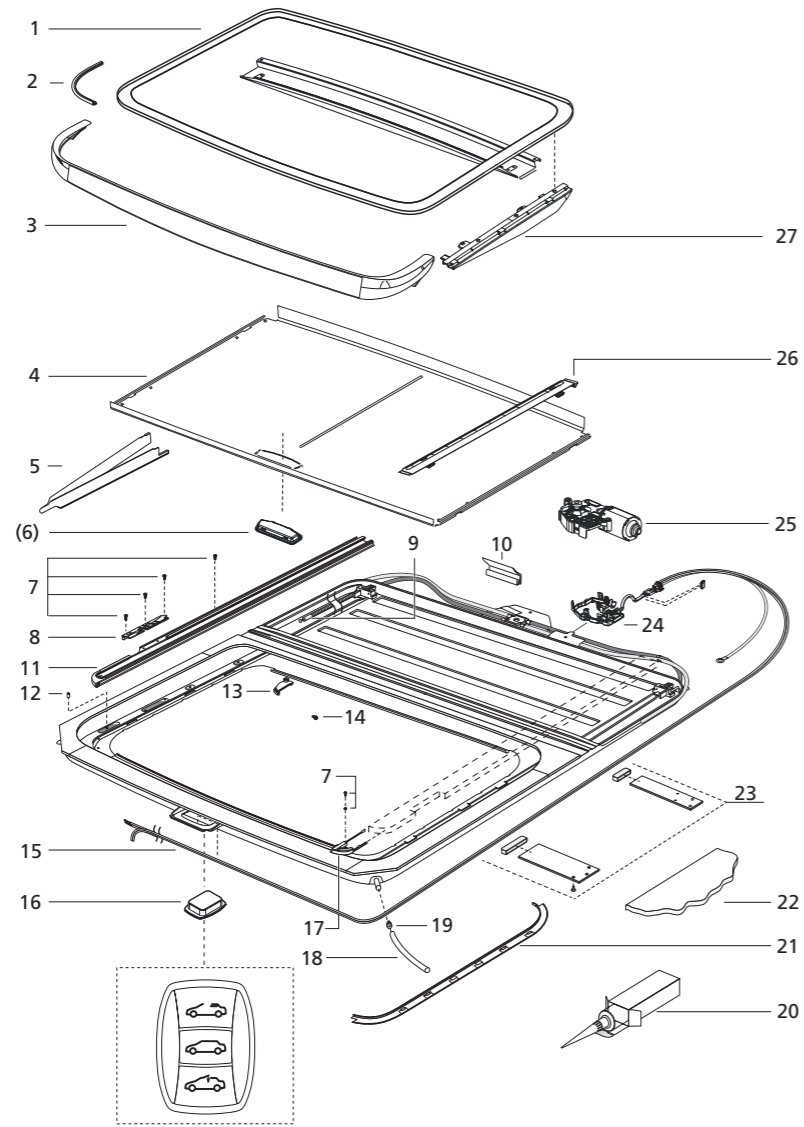
	Hollandia 710	Hollandia 730	Hollandia 735	Hollandia 740	Hollandia 790
Dimensions of glass element W x L (mm)	976 x 751	1,074 x 862	1,076 x 912	1,078 x 962	1,083 x 1,062
Visible glass element W x L (mm)	851 x 471	801 x 475	851 x 477	901 x 480	1,001 x 485
Tilt height (mm)	70	70	70	70	70
Slide opening length (mm)	252	352	352	352	352
Operation and equipment					
Soft touch	■	■	■	■	■
Illumination	■	■	■	■	■
Wind deflector	■	■	■	■	■
Sunblind	■	■	■	■	■
Auto-Close system	■	■	■	■	■

Mode of operation: Integrated tilt and slide roof



Hollandia 700

Comfort



Parts list

Item No.	Part No.	Description	Repair-time (min.)
1	3392894B	Glass panel/Drainchannel Set Hollandia 710	15
1	3392879A	Glass panel/Drainchannel Set Hollandia 720	15
1	3392812A	Glass panel/Drainchannel Set Hollandia 730	15
1	3392813A	Glass panel/Drainchannel Set Hollandia 735	15
1	3392814A	Glass panel/Drainchannel Set Hollandia 740	15
1	3392815A	Glass panel/Drainchannel Set Hollandia 790	15
2	33570R0029	Rubber seal	30
2	3390608A	Rubber seal, flocked type (including inlay)	30
3	33573R3973	Wind deflector Hollandia 730	0
3	33575R4236	Wind deflector Hollandia 710/Hollandia 735	0
3	33574R3974	Wind deflector Hollandia 740	0

Item No.	Part No.	Description	Repair-time (min.)
3	33579R3975	Wind deflector Hollandia 790	3
4	3393346A	Sunshade Hollandia 710	30
4	3393347A	Sunshade Hollandia 730	30
4	3393348A	Sunshade Hollandia 735	30
4	3393349A	Sunshade Hollandia 740	30
4	3393350A	Sunshade Hollandia 790	30
5	33570R3967	Interior mechanism covers	3
6	==> Pos 16	Handle sunshade (only in combination with switch)	0
7	33570R3985	Mounting set mechanism	0
8	33570R3944	Locator right side/left side	15
9	3393351A	Drive cables set right side/left side	120
10	33570R4205	Frame rubber	0
11	33571R0004	Mechanism assy left side Hollandia 710	60
11	3395817A	Mechanism set H710	60
11	3395815A	Mechanism set H700 LH & RH	60
11	33570R4208	Mechanism glass series – right side	60
12	33570R1286	Nut wind deflector	0
13	33570R3962	Blocking catch	0
14	33570R4209	Panel Mounting Set	0
15	3393352A	Wire harness Comfort	15
15	3393353A	Wire harness Entry, for Rocker switch	15
15	3393405A	Wire harness Entry, for „Turtle“ switch	15
16	3394684A	Switch WHITE/ handle SS H700 Comfort black	0
16	3394686A	Switch WHITE/ handle SS H700 Comfort grey	0
16	3394688A	Switch WHITE/ handle SS H700 Comfort beige	0
16	3393191A	Switch & handle sunshade Entry black	8
16	3393192A	Switch & handle sunshade Comfort black	8
16	3393193A	Switch & handle sunshade Comfort grey	8
16	3393194A	Switch & handle sunshade Comfort beige	8
17	33570R3961	Retraction mechanism	60
18	33570R3991	Drain tube (8 m) Ø 12 mm	50
18	33570R1046	Drain tube (8 m) 7 x 11 mm	50
19	33570R0030	Set drain hose clamp	0
20	33570R3990	Glue set	0
21	33570R4223	Side trimming	30
22	33570R1399	Foam 110 x 120 x 0.5 cm	0
23	33570R3988	Side support brackets	0
24	3393354A	Sunroof control unit MD4 Entry	45
24	3393355B	SCU MD4 H700-II Comfort	45
25	3393356A	Motor MD4	90
26	33570R4222	Sunshade guides and springs glass series	20
27	3393402A	Exterior covers Hollandia 710	5
27	3393357A	Exterior covers Hollandia 730 – Hollandia 790	5
Without img.	33570R3986	Trim ring	60
Without img.	33570R3959	Trim ring extra wide	30
Without img.	33570R3940	Trim ring extra wide and high	30
Without img.	33570R0027	RSR system 150 mm	30
Without img.	79451500	Add-a-circuit mini-fuse, 2 pieces	0
Without img.	79451600	Add-a-circuit mini-fuse, 2 pieces	0



Operating elements

Simple handling due to advanced technology. Webasto offers a number of controls for each sunroof. Whether they operate mechanically, electrically or with a one-touch function, all models win over with clever functionality, perfected engineering and easy handling.

Operating elements

- Soft touch
- Electrical operation
- Manual operation

	Control elements					
	Manual	Electric	Soft touch	Rollo	Sunblind	Auto-Close system
Hollandia 100						
Deluxe	■					
Hollandia 300						
Entry		■		■		
Comfort			■	■		■
Hollandia 400						
Classic		■				
Deluxe Electric		■				
Hollandia 700						
710 Comfort			■		■	■
730 Comfort			■		■	■
735 Comfort			■		■	■
740 Comfort			■		■	■
790 Comfort			■		■	■

Close at hand: Webasto operating elements

With every sunroof, Webasto provides operating units with clever functions, advanced technology and ease of use.



Manual operation

Simple and practical – the manual-operation model from Webasto: The latch handle with ergonomically shaped handle makes the use child's play. The opening position can be set individually.



Electrical operation

Use one of our two different electrical operation options to reliably bring your Webasto roof system into the position you want.



Entry



Comfort

Hollandia 300 Entry and Comfort

The operating elements with its simple functionality via a three-button system for the new spoiler sunroof feature a two-layer softcoating fitting seamlessly into the existing interior decor of today's vehicles. In the **Entry version** the control element comes in black without illumination. In the **Comfort version** it is black, framed with a chrome-colored ring and available in a choice of four LED illumination colors.



Comfort

Hollandia 700 Comfort

The operating unit for the H700 series with its elegant design is made of a smooth material. In addition to the standard Open/Close function the operating unit offers you extra highlights such as the Auto-Close and Soft-Touch functions for easier operation. The operating unit is available in three different colors and stylish LED lighting in selected colors.



Material list

Special note:
 The prices mentioned are gross for net. Only our sales and delivery terms apply for deliveries. The prices are the recommended retail price in euro without VAT. This price list renders all other prior price lists null and void and is subject to change.

Order number	Description	Net price in EUR
2280	Sunshade grey	
2281	Sunshade beige	
3261	Upper frame	
3262	Retainer ring	
3263	Trimshell manual grey	
3264	Trimshell manual beige	
3265	Trimshell electric grey	
3266	Trimshell electric beige	
3267	Seal	
3268	Drive Cables	
3269	Drive Cables Electrical	
3270	Mechanism LH	
3271	Mechanism RH	
3272	Mount set Retainer Ring	
3279	Retainer Ring	
3281	Motor cover	
4125	Glass panel Venus	
4126	Sunshade complete Emerald kompl.	
4127	Brackets 306 Break 3-5 drs mod.1997+Ox 750	
4204	Sunshade handle TVS/Emerald	
4231	Brackets Xsara	
482285	Switch ET B	
79451500	Add-a-circuit mini-fuse, 2 pieces	
79451550	Add-a-circuit Mini fuse set a 50 stuks	
79451555	Add-a-circuit Ato fuse set a 50 stuks	
79451600	Add-a-circuit mini-fuse, 2 pieces	
79451700	Add-a-circuit Mini fuse set a 10 stuks	
79451800	Add-a-circuit Ato fuse set a 10 stuks	
1910034A	Profiles TSL for 33S3L030A	
1910035A	Adapter Harness	
1910059A	Wind Deflectors Almera Tino Hyundai Matrix	
1910071A	Strapset Stratos 300 med.	
3210010a	Headliner Technic Grey L=10mtr	
3210013a	Headliner Technic Grey L=30mtr	
3210030a	Headliner Heavengrey L=10mtr	
3210033a	Headliner Heavengrey L=30mtr	
3300030A	Soft trim roller	
3307920A	Mechanism assy (LH+RH)	
3307921A	Assy glass panel Venus	
3307942A	Motor S 400 Classic	
3356R001	Recessed SKY screen set	

Order number	Description	Net price in EUR
3356R002	Adapter H500 RV SET	
3356R003	SKYscreen fixing set	
3356R006	Skyscreen liner (liner only)	
3356R007B	RV pan. Front Glasspanel incl. PMMA panel	
3356R009	RV pan. electric wireharness incl. switch	
3356R010	Anti Jamming set	
3390295A	Roof ring Hollandia 930	
3390296A	Roof ring Hollandia 935	
3390297A	Roof ring Hollandia 940	
3390302A	Front rail Hollandia 930	
3390303A	Front rail Hollandia 935	
3390304A	Front rail Hollandia 940	
3390307A	Trimming parts Hollandia 900	
3390308A	Motor block assy Hollandia 900	
3390309A	End cap rear Hollandia 900	
3390310A	Drainchannel rear Hollandia 930	
3390311A	Drainchannel rear Hollandia 935	
3390312A	Drainchannel rear Hollandia 940	
3390313A	Motor	
3390314A	Foam dust gasket	
3390315A	Mechanism covers H900	
3390316A	Front mechanism Hollandia 900 LH & RH	
3390327A	Outer covers glass panel Hollandia 900	
3390328A	Drain hose Hollandia 900 (L = 8 m)	
3390329A	Sunshade substrate Hollandia 930	
3390330A	Sunshade substrate Hollandia 935	
3390331A	Sunshade substrate Hollandia 940	
3390333A	Guide shoes sunshade Hollandia 900 (12 x)	
3390334A	Set fasteners (for 2 roofs)	
3390335A	Edge profile Hollandia 900	
3390355A	Glass seal set Hollandia 930	
3390356A	Glass seal set Hollandia 935	
3390357A	Glass seal set Hollandia 940	
3390358A	Drain channel front Hollandia 930	
3390359A	Drain channel front H935	
3390360A	Drain channel front Hollandia 940	
3390363A	Isoflex grease	
3390364A	Edge profile Hollandia 900 extra wide	
3390397A	Sunshade levers (2x)	
3390398A	RSR set (4x)	
3390399A	Brace set (8x)	

Material list

Numerical list

Order number	Description	Net price in EUR	Order number	Description	Net price in EUR
3390400A	Hollandia 900 DVD bracket		3393354A	Sunroof control unit MD4 Entry	
3390401A	SCU Hollandia 900 Rocker		3393355B	SCU MD4 H700-II Comfort	
3390402A	SCU Hollandia 900 soft touch		3393356A	Motor MD4	
3390403A	Rocker switch Hollandia 900		3393357A	Exterior covers Hollandia 730 - Hollandia 790	
3390404A	Switch soft touch black		3393396A	H100 Deluxe latch	
3390405A	Flat cable Hollandia 900 soft touch		3393402A	Exterior covers Hollandia 710	
3390406A	Wire harness Hollandia 900 rocker		3393405A	Wire harness Entry, for - Turtle - switch	
3390407A	Power supply cable Hollandia 900		3393515A	Add-a-circuit Mini fuse set a 100 stuks	
3390408A	Bracket rocker switch Hollandia 900		3393516A	Add-a-circuit Ato fuse set a 100 stuks	
3390409A	Bracket switch soft touch Hollandia 900		3393768A	HIC plate H700	
3390597A	Control unit H500RV anti pinch service set		3393835A	Handle sunshade H700 Entry Black	
3390608A	Rubber seal, flocced type (including inlay)		3394254A	Bracket H700 user interface Turtle“ “	
3390755A	RSRSet--RAV4 H300DL M		3394255A	Set foam for user interface	
3390872B	Set wire H300DL-L mot/scu 1100mm		3394256A	Sunshade H720 GEN2 (without handle)	
3390901A	Drainch front Hollandia 930 grey (5 pcs)		3394362A	Latch handle holder H100-II	
3390902A	Drainch front Hollandia 930 beige (5 pcs)		3394363A	Headliner cover light grey	
3390903A	Drainch front Hollandia 935 grey (5 pcs)		3394372A	Lower frame H100-II	
3390904A	Drainch front Hollandia 935 beige (5 pcs)		3394688A	Switch / handle SS H700 Comfort beige - LED	
3390905A	Drainch front Hollandia 940 grey (5 pcs)		3394857A	Upper Frame Assy	
3390906A	Drainch front Hollandia 940 beige (5 pcs)		3394975A	Spare Part retainerring VW Caddy	
3390907A	Cover user interface Grey 5pcs		3395128A	Turtle Switch Comfort Black (White LED)	
3390908A	Cover user interface Beige 5pc		3395212A	H300 Entry FD (front drive)	
3390915C	RSR set H400		3395213A	H300 Entry RD (rear drive)	
3390920B	H900 roofing support set (incl RSR support) (5x)		3395214A	H300 Comfort FD (front drive)	
3390928A	RSR Set H400 - Trevis		3395215A	H300 Comfort RD (rear drive)	
3391077A	Motor (HS)		3395297A	Mounting set trimshell to headliner	
3391079A	Service Set SCU Hollandia 500 HS green		3395298A	Roof moulding black	
3391080A	Motor/SCU EL-> ST (HS) Brazil		3395299A	Roof moulding chroom	
3391274A	Toolingset H735		3395300A	Glass panel	
3391302B	H500 Medium Single Slide Grey (HS)		3395301A	Frame with seal	
3391304B	H500 Medium Double Slide Grey (HS)		3395302A	Drive cable set front drive	
3391749A	SCU H3DL L VW Caddy		3395303A	Drive cable set rear drive	
3392206A	SCU H300 DL (HS) Amber		3395304A	Mechanism set Front Drive LH/RH	
3392812A	Glass panel / Drainchannel Set Hollandia 730		3395305A	Clip set (14x)	
3392813B	Glass panel set GEN2 H735/H635		3395306A	Screw/bolt set	
3392814A	Glass panel / Drainchannel Set Hollandia 740		3395307A	Sliding shoe set	
3392815A	Glass panel / Drainchannel Set Hollandia 790		3395308A	Turtle Switch Entry Black	
3392879A	Glass panel / Drainchannel Set Hollandia 720		3395309A	Turtle Switch Comfort Black (Multiple Colour)	
3392894B	Glass panel / Drainchannel Set Hollandia 710		3395310A	Motor Entry front drive	
3393191A	Switch & handle sunshade Entry black		3395311A	Motor Entry rear drive	
3393346A	Sunshade Hollandia 710		3395312A	Motor Comfort front drive	
3393347A	Sunshade Hollandia 730		3395313A	Motor Comfort rear drive	
3393348A	Sunshade Hollandia 735		3395314A	Motor Comfort front drive USA	
3393349A	Sunshade Hollandia 740		3395315A	Motor Comfort rear drive USA	
3393350A	Sunshade Hollandia 790		3395316A	Wind deflector	
3393351A	Drive cables set right side / left side		3395317A	Rollo assy incl. Handle	
3393352A	Wire harness Comfort		3395318A	Harness clips (100x)	
3393353A	Wire harness Entry, for Rocker switch		3395319A	Mechanism set Rear Drive LH/RH	

Material list

Numerical list

Order number	Description	Net price in EUR	Order number	Description	Net price in EUR
3395320A	Sliding plates set		33NOSR0020	RSR Kit H500 Freedome	
3395321A	Profile for headliner (10x)		33NOSR0022	slideshow kit	
3395322A	RSR-System (2x)		33NOSR0024	RSR set Suzuki Swift	
3395766A	Trimshell carrier, Trimshell cover and switch front drive Grey		33RS1000	Rainsensor kit Hollandia 700	
3395767A	Trimshell carrier, Trimshell cover and switch front drive Beige		33S10R62006	Lift arm Crystal rotary	
3395768A	Trimshell carrier, Trimshell cover and switch front drive Black		33S10R69001	Glass seal 3 Positions	
3395769A	Trimshell carrier, Trimshell cover and switch front drive Bare		33S31R3211	Louvre black	
3395770A	Trimshell carrier, Trimshell cover and switch rear drive Entry		33S3L030A	Distance assy Ignis TSL	
3395771A	Trimshell carrier, Trimshell cover and switch rear drive Grey		33S3LR0001	Sunshade	
3395772A	Trimshell carrier, Trimshell cover and switch rear drive Beige		33S3LR0002	Sunshade handle Stratos 300L	
3395773A	Trimshell carrier, Trimshell cover and switch rear drive Black		33S3LR0004	Set trim shell/rollo, grey	
3395774A	Trimshell carrier, Trimshell cover and switch rear drive Bare		33S3LR0005	Set trimshell H3L DL	
3395775A	Trimshell carrier, Trimshell cover and switch rear drive Entry		33S3LR0006	Set Trimsh. Front Cover	
3395815A	Mechanism set H700 LH & RH		33S3LR0007	Set Motor Bracket	
3395817A	Mechanism set H710		33S3LR0009	Set SCU H3L	
3396483A	Filling strip for soft wrap (10x)		33S3LR0010	Set Operation Panel	
3396553A	H300 Entry FD and RSR		33S3LR0011	Set Flatcable SCU-OP/UI	
3396554A	H300Entry RD and RSR		33S3LR0012	Set Control Panel EL.	
3396555A	H300 Comfort FD and RSR		33S3LR0013	Set Switch Assy H3L EL.	
3396556A	H300 Comfort RD and RSR		33S3LR0014	Set SCU RS-funct. H3L	
33H1LR0002	Clip for headliner cover light grey		33S3LR0034	Set Contr Panel w/o logo	
33H1LR0007	Rotary handle assy black/Alu grey		33S3LR0035	Set flatcable 4m 8p.	
33H1LR0008	Clip rotary handle light grey		33S3LR0038	VW Caddy upgrade to double operation	
33h3clr0001	Set trimshell, rotary		33S3LR0935	Butylene mastic (320 ml)	
33h3clr0002	Set trimshell / rollo		33S3LR1310	Installation Kit S300L Renault Twingo	
33h3clr0004	Set Wire Harness pluss		33S3LR3203	Seal	
33h3clr0005	Set rotary handle, black		33S3LR3204	Wind deflector	
33H3L00103B	Hollandia 300 spoiler roof Exclusive softtouch		33S3LR3205	Mounting block LH/RH	
33H3L01103B	Hollandia 300 spoiler roof Exclusive electric		33S3LR3206	Glass holder + screws	
33NOSR0001	Main seal H500 FreeDome		33S3LR3207	Drive cables electrical	
33NOSR0002	Motor H500 FreeDome		33S3LR3208	Mechanism LH	
33NOSR0003	Lower Frame H500 FreeDome		33S3LR3209	Mechanism RH	
33NOSR0004	Front Glass Panel set H500 Free Dome CCC		33S3LR3210	Stop LH/RH	
33NOSR0005	Rollerblind assy H500 FreeDome		33S3LR3212	Speednut	
33NOSR0007	Winddeflector assy H500 FreeDome		33S3LR3217	Mounting set underframe	
33NOSR0008	Front rollerblind gripholder H500 FreeDome		33S3LR3221	Locker slide LH/RH	
33NOSR0009	Rear rollerblind gripholder H500 FreeDome		33S3LR3222	Set Assy topframe/dry	
33NOSR0010	Roller blind grip set(2x) H500 FreeDome		33S3LR3224	Retainerring 860 service set	
33NOSR0011	Trim parts set H500 FreeDome		33S3LR3225	Subframe assy	
33NOSR0013	Wire Harness Electric H500 FreeDome		33S3LR3226	Motor cover	
33NOSR0014	Wire Harness Power Supply H500 FreeDome		33S3LR3227	Switch	
33NOSR0015	Fixation set H500 FreeDome		33S3LR3250	Crank grey complete	
33NOSR0016	Motor cover H500 FreeDome		33S3LR3251	Crank beige complete	
			33S3LR3274	Switch	
			33S3LR3276	Lenghtened wire harness	
			33S3LR3280	Wire harness	
			33S3LR3283	Cover grey	
			33S3LR3284	Cover beige	

Material list

Numerical list

Order number	Description	Net price in EUR	Order number	Description	Net price in EUR
3353LR3293	Sunroof Control Unit		33570R0006	Handle sunshade S7	
3353LR3987	Edge trim (2.6 meter)		33570R0011	Wire Harness SCU PS S7	
3353LR4105	Bracket Xantia (1993-1997)		33570R0012	Control Panel Green	
3353LR4106	Brackets Peugeot 306		33570R0013	Motor	
3353LR4107	Brackets Peugeot 406		33570R0015	SCU steel	
3353LR4108	Bracket 806 Front		33570R0017	Control panel Stratos 700 Red	
3353LR4109	Bracket 806 Rear		33570R0019	Harness control panel Stratos 700 (4,0m)	
3353LR4120	Switch anthracite		33570R0020	Bracket user interface Stratos 700	
3353LR4121	Sunshade guides		33570R0021	Harness + Rocker switch Stratos 700	
3353LR4124A	Glass Panel H300 Deluxe Large		33570R0023	Set Inbuilt Housing UI	
3353LR4128	Butylene mastic (40 ml)		33570R0027B	RSR System 150mm(without adhesive set)	
3353LR4135	Bracket Xantia II (1997)		33570R0029	Rubber seal	
3353LR4136	Set Motor EL. Hollandia 300 DL L		33570R0030	Set drain hose clamp	
3353LR4137	Motor with soft touch		33570R0031	Wire harness Rocker Switch H700 8P	
3353LR4230	Illuminated switch green		33570R0032	Flatcable 8-wire 1940mm	
3353LR5131	Rubber template		33570R0033	Serviciset H700 8-wire SCU	
3353LR5132	PP headlining template Type Stratos 300 Large		33570R0936	SABA glue (brush) AAC (U.N.1133)	
3353LR5158	Toolingset (templates)		33570R0937	SABA spray (U.N.1133) 5 ltr	
3353MR0001A	Glass panel		33570R1286	Nut wind deflector	
3353MR0002	Glass panel fixation S300 M		33570R3935	Rubber seal steel series (2,8mtr)	
3353MR0003	Guide insert		33570R3936	Mechanism tumblers	
3353MR0006	Trimshell-rollo grey		33570R3940	Trim ring extra large Extra Wide and High	
3353MR0009	Sunroof Control Unit		33570R3944	Locator right side / left side	
3353MR0010	Cover control panel		33570R3961	Retraction mechanism	
3353MR0012A	Clamp Frame Stratos 300		33570R3962	Blocking catch	
3353MR0013	Wind deflector Stratos 300 Medium		33570R3967	Interior mechanism covers	
3353MR0015	Wiring harness		33570R3972	Sunshade guides steel	
3353MR0016	Drive cables		33570R3984	Drainchannel mountingset	
3353MR0017	Screws clamp frame		33570R3986	Trim Ring	
3353MR0018	Rubber outer template		33570R3988	Side support brackets	
3353MR0019	Plastic inner template S300 M		33570R3989	Manual override key	
3353MR0020	Serv. set Finish Profile		33570R3990	Glue set	
3353MR0024	Set Rear Cover H3M		33570R3991	Drain tube (8 m) Ø 12 mm	
3353MR0025	Set Switch H3M EL		33570R3999	Curve On Panel Flanged	
3353MR0028	Set mechanism		33570R4205	Frame rubber	
3353MR0029	Set Seal for milled		33570R4208	Mechanism glass series - right side	
3353MR0030	Set milled topframe H3M		33570R4209	Panel Mounting Set	
3353tR0008	Set Motor Cover ST		33570R4216	Ill.Rocker Switch Green Illuminated.	
3354FR0003A	Service Kit Velcro male H400		33570R4222	Sunshade guides and springs glass series	
3355M1005A	Light Set		33570R4223	Side trimming	
3355MR0003	Set Connecting Cable		33570R4224	Exterior covers	
3355MR0004	Set Middle Panel 275		33570R4232	Panel adjust tool TVS Glasspanel	
3355MR0005	Set Middle Panel 175		33570R4233	Seal inlay	
3355MR0006	Set Middle Panel Sports 275		33570R4254	Ill.Rocker Switch Amber Illuminated	
3355MR0007	Set Side Parts 275/175		33570R4258	PU Mastic Black Sabaplast 7200 uv.	
3355MR0008	Rainsensor Kit H500		33570R5105	Set support jacks TVS (2 pcs)	
33570ELR004	Wire harness H600		33570R5119	Mounting frame clips TVS	
33570ELR005	Bracket Rocker Switch H600		33570R5120	Stamping tool R=70	

Material list

Numerical list

Order number	Description	Net price in EUR	Order number	Description	Net price in EUR
33570R5121	Stamping tool R=4000		3357900100C	H790 COMFORT Inbuilt Sunroof	
33570R5124	Curvature gauge 7000 black		33579R0005	Sunshade size -9 glass Stratos 700 / 49	
33570R5140	Bending Tool TVS Bonding Flaps		33579R0010	Harness control panel 9S700/49	
33570R5152	Box tooling TVS		33579R3957	Drive cables size -9	
33570R5160	Tooling Set -3/-3,5C		33579R3975	Wind deflector Hollandia 790	
33570R5184	Glue set incl. brush		33579R5111	Rubber template size -949	
33570R5236	Headl. fabr. Audi A4 60		33579R5127	Stabilizer bar size -9	
33570R5246	Headl. fabr. Audi A4 10		33579R5749	Glue template size 49	
33570R5248	Headliner fabric Bora Yellow 10m		335SLR0000	RSR spoiler set complete	
3357100100C	H710 COMFORT Inbuilt Sunroof		6109938-H	Rotary handle assy.	
33571R0002	Assy sunshade H710		6109938-S	Rotary fixing set	
33571R0004	Mechanism assy left side Hollandia 710		6161131A	Black Switch with green Led	
33572R3943	Drive cables -2C glass		61NPOR0700800	Handle attachment assy	
33572R3947	Wind deflector 2C glass		61NPOR0701300	Rotary handle holder	
33572R5250	Curvature gauge 5250 Blue		61NPOR0703300	Frame Handle Holder to the frame	
33572R5742	Glue template 42C		61NPOR0703400	Rotary handle black	
3357300100C	H730 COMFORT Inbuilt Sunroof		61NPOR0708800	Hinge Cover without rollerbl.	
33573R0002	Sunshade size -3 glass Stratos 700 / 43		61NPOR0720600	Front hinge unit	
33573R0008	Harness control panel 3S700/43		61NPOR0720900	Headliner cover (grey) without blind	
33573R3955	Drive cables size -3		61NPOR0721300	Latch handle assy	
33573R3973	Wind deflector Hollandia 730		61NPOR0728600	Lower frame	
33573R5108	Rubber template size -323 /43		61NPOR0729800	U-profile for lower frame	
33573R5112	Metal Marking Template 323/43 Metal		61NPOR0732700	Plastic template set	
33573R5116	Top mounting frame -323/43		61NPOR0756400	Upper frame 14 mm including Pos. 5 and 10	
33573R5122	Spacer strip size -3		61NSMR0001	Locking Hook Set	
33573R5125	Stabilizer bar size -3		61NSMR0719200	Sealing tape	
33573R5743	Glue template size 23/43		61NSMR0720100	Fixing screw set lower metal frame	
3357400100C	H740 COMFORT Inbuilt Sunroof		61NSMR0721702	Sunshade dark grey, black buttons	
33574R0009	Harness control panel 4S700/3.5-4		61NSMR0723300	Set taps H300CM M Grey	
33574R3901	Steel Panel 24		61NSMR0733200	One touch open relay	
33574R3956	Drive cables size -4		61NSMR0755000	Headliner cover beige	
33574R3974	Wind deflector Hollandia 740		61NSMR0755300	Motor Cover beige	
33574R5109	Rubber template size -424 / 44		61NSMR0756300	Sealing for frame	
33574R5113	Metal Marking Template 424/44 Metal		61NSMR0758200A	Glass Panel H300 Classic Medium	
33574R5115	Bottom Mounting Frame -424/44		61NSMR0766200	Flock headliner cover GR	
33574R5117	Top mounting frame -424/44		61NSMR0777800	Distance set Suzuki Jimny	
33574R5123	Spacer strip size -4		61NSMR0777900	Golf IV adaptor assy	
33574R5126	Stabilizer bar size -4		61NSMR0782500	Glass panel incl. screws	
33574R5744	Glue template size 24/44		61NSMR0782600	Upper frame assy	
3357500100C	H735 COMFORT Inbuilt Sunroof		61NSMR0782700	RH mechanism Top Slider Medium Curved	
33575R4236	Wind deflector Hollandia 710 / Hollandia 735		61NSMR0782800	LH mechanism Top Slider Medium Curved	
33575R5110	Rubber template -3.5 C 43,5 C		61NSMR0782900	Drive tube assy	
33575R5137	Stabilizer bar -3.5 C		61NSMR0783000	Clamp frame + screws with fixing screws	
33575R5138	Curvature gauge 4900 green		61NSMR0783100	Electric drive assy	
33575R5139	Bending tool 3.5C Flaps 43		61NSMR0783200	Wire harness + switch	
33575R5144	Spacer strip size -3.5 C		61NSMR0783300	Sealing tape	
33575R5146	Bottom Mountingframe 3,5 43,5C		61NSMR6107855	Screws steel clamp frame	
33575R5745	Glue template size 43,5C		61S3LR0400453	Partial roof unitt	

Material list

Numerical list

Order number	Description	Net price in EUR	Order number	Description	Net price in EUR
6153LR0711200	Headliner Bracket Set		6153LR6107918	TSL/TSM Mechanism Assy.	
6153LR0721600	Distance set Renault Twingo		6153XR0760000	Switch black	
6153LR0724000	Cover key access KBA no. 9494		6153XR0779400	Rollo grey pos.7 grey version	
6153LR0730300	Locking hook set		6154F04400	Hollandia 400 folding roof Classic black	
6153LR0730600	Headliner cover bracket		6154FR0723900	Emergency handle	
6153LR0730800	Gear wheel		6154FR0733500	Endcap	
6153LR0731100	Gear wheel (man drive)		6154FR0734200	Mounting set für frame	
6153LR0732400	Wire harness set		6154FR0734500	Ellbow lever set incl. slider	
6153LR0737200	Top frame assy		6154FR0734800	Spacer	
6153LR0737300	Lower frame + seal tape		6154FR0734900	Stopper	
6153LR0737400	Headliner cover fix.spr.		6154FR0735000	Top Cover assy black	
6153LR0737600	Sealing tape		6154FR0735100	Wind deflector	
6153LR0737700	Roof fixing set complete		6154FR0735200	Mounting set for wind deflector	
6153LR0743000	Sealing for frame		6154FR0735300	Bar Headliner	
6153LR0745300	Bracket set Monterey		6154FR0735400	Cross bar	
6153LR0754900	Rigid Sunshade BEIGE		6154FR0735500	Headliner complete	
6153LR0755100	Headliner cover set		6154FR0735600	Edge profile	
6153LR0756100	Cover key access BEIGE		6154FR0735700	Frame assy Hollandia 400 CL	
6153LR0756200	Motor cover (beige)		6154FR0735800	Sealing for frame	
6153LR0756800	Headliner cover fix.spr.		6154FR0735900	Clamp frame	
6153LR0756900	Cover key access (GF)		6154FR0736100	Wire Harness set standard motor	
6153LR0757000	Motor cover KBA 19305		6154FR0736300	Motor cover complete	
6153LR0757100	Handle cover assy incl screws		6154FR0736400	Emergency cap	
6153LR0763400	Distance set Grand Move Daihatsu Gr Move		6154FR0736750	Soft wrap Bracket	
6153LR0763500	Distance set Wrangler		6154FR0736800	Slide bar set complete	
6153LR0764900	Headliner cover set		6154FR0755700	Fixing clip set	
6153LR0765000	Headliner cover set		6154FR0755900	Optional Motor Cover	
6153LR0765100	Headliner cover set		6154FR0756000	Rubber cutting template Hollandia 400	
6153LR0765600	Headliner with sunrollo		6154FR0758100	Foam sealing	
6153LR0766000	Headliner cover set flocked trimm		6154FR0759100	Cover set	
6153LR0766100	Flocked headliner + rollo		6154FR0764300	Distance holder	
6153LR0766900	Adaption wire harness		6154FR0765700	Top Cover assy red	
6153LR0776600	Hardware kit		6154FR0777400	Hard headliner cover	
6153LR0776700	Hardware kit beige		6154FR0778000	Hard headliner cover	
6153LR0781100	Drive tube assy		6154FR0778100	Wire harness Atos+motor cover	
6153LR3390002	Set butyleen kit		6154FR0780500	Sliding set left	
6153LR6107837	Relay one touch full		6154FR0780600	Right arm	
6153LR6107839	Screw set glass panel		6154FR6107850	Wire Harness set standard motor	
6153LR6107841	Wire harness set		6154FR6107851	Wire Harness set powerd motor	
6153LR6107854	Headliner complete		6154FR6107852	Wire Harness set powerd motor	
6153LR6107857	Top frame assy		6154FR6107867	Hard headliner cover	
6153LR6107858	Drive tube from 829780		6154FR6107876	Drive cable set (LH+RH) H400 Classic	
6153LR6107860	Grey sunrollo handle handle assy gr		6154FR6107879	Motor	
6153LR6107861	Beige sunrollo handle		6154FR6107880	Motor cover	
6153LR6107863	Top frame assy		6154FR6107882	Control unit	
6153LR6107864	Sealing for frame		6154FR6107884	Frame assy	
6153LR6107865	Mechanism assy (LH+RH)		6154FR6107885	Wire harness Atos+motor cover	
6153LR6107878	Lower frame + seal tape		6154FR6107886	Hard headliner cover	

Material list

Numerical list

Order number	Description	Net price in EUR
6154FR6107889	Drive cable set Deluxe	
6BR2002	Main frame assy rotary	
6BR2005	Soft headling trim 440 Rotary	
6BR2006	Lift Arm & Fixings Rotary	
6BR2009	Glass panel assy 440 rotary venus	
6BR3002	Main frame assy 3 pos	
6BR3004	Handle shroud 3 Pos Black	
6BR3006	Glass panel assy 440 3 pos Venus	
6BR9001	Glass seal crystal 440	
6BR9004	Trimring latch/rotary grey C440	
6DR3006	Glass seal small	
6DR3007	Clamp frame small	
6ER3002	Trim ring M grey 6-10mm	
6ER3006	Clamp frame medium	
6ER9001	Soft Headlining Trim	
6ER9002	Handle shroud Soft Black	
6ER9004	Handle shroud 18mm Black	
6ER9005	Handle shroud 18mm Grey	
6ER9006	Glass panel hinge assy (2/set)	
6ER9007	Frame hinge assy (2 per set)	
6ER9008	Handle asy 3 pos (glass fi)	
6ER9009	Standard trim clips (100/set)	
6ER9010	Long trim clips (100 per set)	
6ER9011	Screw Pack	
6FR3002	Glass panel printed Lon Clear L	
6FR3005	Clamp frame large	
6FR3006	Trim ring L grey 10-18mm	
6GR0008	Wind deflector	
6GR0009	Switch Sapphire	
6GR0010	Switch soft wrap	
6GR0015	Seal	
6HR3002	Top Cover 30:36	
6HR3010	Handle Finisher Moulding	
6HR3011	Handle Recess Pressing & Handl	
6HR3012	Front Plastic Slide	
6HR3035	Top cover assy 30:36 (33)	
6HR3056	Deflector Screws & Plugs	
6HR3062	Deflector Assembly	
6XR9005	Glass seal large	

Terms of Use

1. Validity

- 1) Quotations, deliveries and services shall be based exclusively on the present General Terms of Sale and Delivery. This shall also apply for all future business relations, even if the validity of these Terms is not explicitly renewed. The present Terms shall be accepted by the Customer, at the latest, upon receiving delivery without objection. The Customer's general terms of business shall only apply insofar as they concur with the present General Terms of Sale and Delivery; in all other respects, the Customer's general terms of business shall not apply even if not explicitly rejected by Webasto.
- 2) Divergences from the present General Terms of Sale and Delivery shall only be effective if confirmed by Webasto in writing.

2. Quotation and contract

- 1) Quotations shall be given without obligation, unless explicitly described as binding by Webasto in writing. Acceptance declarations and all orders shall only be legally valid if confirmed by Webasto in writing. The same shall also apply for amendments or supplements to an order.
- 2) Drawings, illustrations, dimensions, weights and other performances shall only be binding if this is explicitly agreed in writing.

3. Prices

- 1) Unless agreed otherwise, the prices quoted by Webasto shall remain valid for 90 days as from submission of the quotation. Orders shall be based on the prices specified in the current price lists.
- 2) Prices shall apply ex delivery works unless agreed otherwise. The cost of shipment by a carrier of Webasto's choice including packaging shall be borne by the Customer. If return of the packaging has been agreed, the Customer shall return the packaging to the delivery works and shall be liable for accidental loss of the packaging until it has been returned.

4. Transfer of risk

The risk shall pass to the Customer, at the latest, when the consignment is handed over to the carrier or other person responsible for transport. The risk shall also pass to the Customer if goods are stored by Webasto on its premises at the Customer's request.

5. Warranty and liability

- 1) Insofar as delivery is effected within the framework of commercial business, the Customer shall examine the goods delivered by Webasto immediately upon receipt and shall report any defects and incorrect quantities in writing within eight days of receiving the goods. If defects which could not be revealed despite stringent incoming inspection are subsequently discovered during the limitation period, they shall be reported to Webasto in writing without delay following their discovery, but in all cases before expiry of the limitation period.

- 2) In the case of justified complaints, the actual defects shall be repaired or the defective or unserviceable parts replaced free of charge by faultless parts at Webasto's discretion. The defective goods shall be returned to Webasto free of charge for postage and carriage. If a defect is confirmed, Webasto shall bear the cost of returning goods to the Customer by the cheapest means. If such subsequent performance (repair or replacement) is impossible or fails twice for reasons beyond the Customer's control, the Customer shall be entitled to demand rescission of the contract or a reduction in price. Repair or replacement shall be effected without acknowledgement of any legal duty and shall not interrupt the lapse of the warranty for defects for the goods.

- 3) The warranty period for Webasto heaters and rooftop air-conditioners, as well as for Webasto replacement parts for such equipment and systems, shall equal 24 months. The warranty for Hollandia roofs shall equal 36 months. The warranty period shall run as from the day on which the equipment is installed or on which the vehicle in which the new equipment is installed is licensed for the first time, and shall in all cases end 36 months after delivery of the equipment, systems or replacement parts, for Hollandia roofs 48 months after delivery.

- 4) Warranty claims may only be asserted against Webasto if the warranty card has been completed by the workshop installing the equipment and is returned to Webasto together with the parts forming the subject of the complaint. Moreover, the duplicate of this warranty card (control card) must have been sent to Webasto immediately following installation of the equipment. Notwithstanding these warranty provisions and without acknowledging any legal duty, Webasto may, at its discretion, bear the costs of installation and removal of the equipment within the framework of its workshop reference times. The costs for removal and installation shall only be borne by Webasto if the work is carried out by Webasto or by a customer service center authorized by Webasto.

- 5) No liability whatsoever shall be assumed for defects due to natural wear and tear, inappropriate or incorrect use, incorrect storage, non-compliance with the installation and operating instructions, faulty or negligent treatment, the use of unsuitable operating media, as well as climatic or other effects, unless Webasto may be blamed for these circumstances. Liability shall not be assumed for defects attributable to faulty design or the use of unsuitable materials if use of the design or materials has been specified by the Customer despite prior notice by Webasto.

- 6) All other warranty claims, regardless of their nature, shall be excluded, with the exception of claims for damages limited in accordance with section 6.

- 7) A guarantee shall only exist if explicitly declared by Webasto in writing.

Terms of Use

6. Restriction of liability

6.1 Regardless of the underlying legal foundations, Webasto shall only be liable for losses or damage if

- a) Webasto has culpably (i.e. at least through negligence) committed a fundamental breach of contract (violated a cardinal duty) in a manner jeopardizing the object of the contract or
- b) the loss or damage has been caused by gross negligence or wilful intent on the part of Webasto or
- c) Webasto has given a guarantee.

6.2 Webasto's liability shall be limited to the typical foreseeable loss or damage in the following cases:

- a) Culpable fundamental breach of contract (violation of a cardinal duty) due to neither gross negligence nor wilful intent;
- b) Violation of other duties due to gross negligence by Webasto's employees or representatives excluding executive bodies and executive employees;
- c) If a guarantee is given, unless the condition of the goods has explicitly been guaranteed.

6.3 In the cases pursuant to paragraph 6.2, Webasto shall not be liable for indirect losses or damage, consequential losses and lost profit, such as living of replacement vehicles.

6.4 Paragraphs 6.1 to 6.4 shall also apply if the goods have only be defined according to their type. 6.5 Paragraphs 6.1 to

6.5 Shall also apply if the Customer claims damages against Webasto's employees or representatives.

7. Delivery period

- 1) Binding delivery dates or periods shall only be valid if agreed in writing. If delivery is delayed for reasons for which the Customer is responsible or for other reasons beyond Webasto's control, the agreed delivery period or delivery date shall be extended or postponed accordingly.
- 2) Delivery shall have been effected punctually if the goods have left the delivery works prior to expiry of the delivery period.
- 3) If Webasto defaults on delivery, the Customer shall be entitled to withdraw from the contract and demand repayment of any advances paid, provided that a reasonable period of grace of at least two weeks has been set and expired fruitlessly.

8. Reservation of title

- 1) The goods delivered by Webasto shall remain the property of Webasto until all Webasto's claims against the Customer have been satisfied.
- 2) If the delivered goods are mixed or combined with other objects, the Customer shall assign to Webasto its claims for surrender and its right of full or joint ownership of the resultant articles when concluding the contract for delivery and shall hold the resultant articles in safekeeping on Webasto's behalf with due commercial care.
- 3) The Customer shall not be entitled to pledge the reserved goods to third parties nor to assign them by way of security. However, it shall be entitled to resell the reserved goods within the ordinary course of business, provided that reservation of title is simultaneously agreed. In this context, the Customer shall herewith assign all claims arising from the resale or any other associated legal reason to Webasto in full and by way of security. However, the Customer shall

be entitled, until further notice, to collect the assigned claim on its own behalf for the account of Webasto; this power shall only be revoked by Webasto if the Customer defaults on its payment obligations.

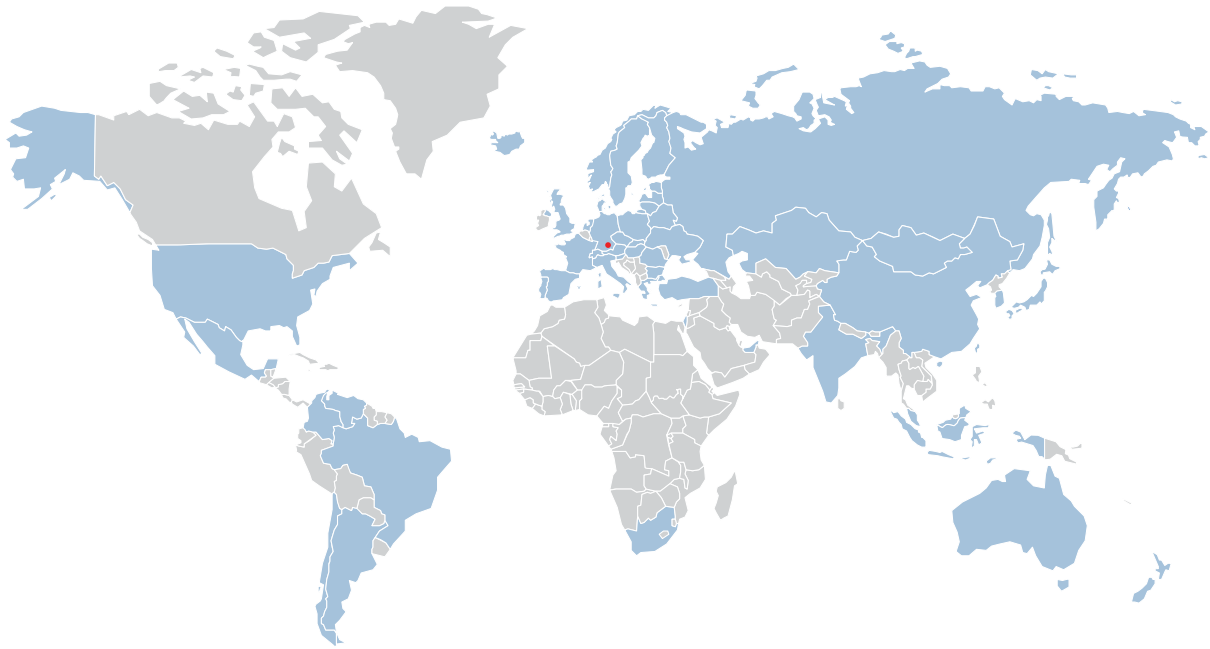
- 4) If the reserved goods are seized by third parties, the Customer shall draw attention to Webasto's ownership of the goods and shall inform Webasto without delay. Costs and losses incurred in this context shall be borne by the Customer.
- 5) If the Customer acts in breach of contract, in particular if it suspends payments or if bankruptcy proceedings are instituted against its assets, a) Webasto shall be entitled to take back or identify the reserved goods and to enter the Customer's company premises for this purpose, and/or b) Webasto shall be entitled to inform the purchaser of the reserved goods of the assignation of claims and to collect such assigned claims. Upon information of the purchaser of the reserved goods of the assignation of claims by Webasto, the Customer's entitlement to collect the assigned claims shall automatically end. Webasto shall use the collected amounts of the claims to cover its claims against the Customer and shall pay to the Customer any amounts not necessary to cover such claims.
- 6) If the nominal value of the security given for Webasto exceeds Webasto's claims by more than 50%, Webasto shall release the excess security at its discretion when requested by the Customer.

9. Terms of payment

- 1) Unless agreed otherwise, Webasto's invoices shall be payable at the latest within 10 days of the invoice date and delivery. The Customer shall be deemed to have defaulted without requiring further reminder if this payment period is exceeded. If the Customer defaults on payments, Webasto shall be entitled to charge interest at a rate 1,5 % above. Insofar as cheques or bills are accepted by Webasto, they shall only be accepted in lieu of performance; Webasto reserves the right to return bills if necessary and instead to demand immediate payment or the provision of other security if there is reason to fear that the bills do not provide sufficient security. Discount and bill charges shall be borne by the Customer and shall be payable immediately.
- 2) If Webasto acquires knowledge of any circumstances indicating that the Customer's financial standing has significantly deteriorated since concluding the contract, in particular if the Customer fails to settle Webasto's due claims and Webasto's entitlement to payment appears to be at risk, Webasto shall be entitled to deliver only in return for full or partial payment or in return for security. If the Customer becomes insolvent or bankrupt or if a request is filed for the institution of bankruptcy proceedings against the Customer's assets, Webasto shall be entitled to withdraw from all outstanding contracts.
- 3) The Customer shall only be entitled to set off claims if the counter-claim is undisputed or has been unappealably established by a court of law.

10. Concluding provisions

- 1) If the Customer is a fully qualified merchant, Webasto's head office shall be place of performance and jurisdiction for all obligations under the contract.
- 2) If any of these provisions prove or become invalid, this shall not affect the validity of the remaining provisions.



For over 75 years, the Webasto Group has been setting technological standards – in the original equipment sector and in the aftermarket. As one of the 100 largest suppliers in the automotive industry worldwide, we develop and produce roof, convertible as well as heating, cooling and ventilation systems. Our products help ensure a better driving experience, more comfort and/or security, as well as enhanced efficiency for cars, commercial and specialty vehicles, motor homes and boats. An outstanding network of production facilities and dealers guarantees high-quality products, installation standards and services worldwide.

