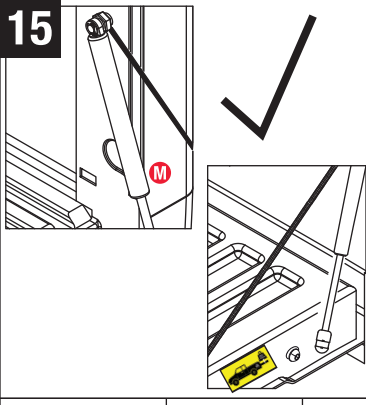
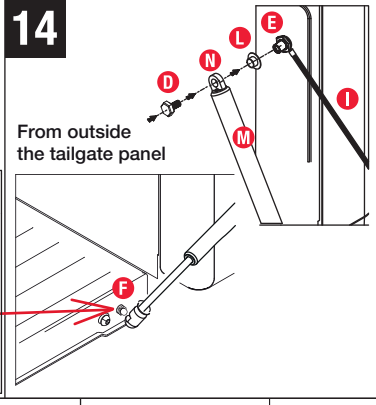
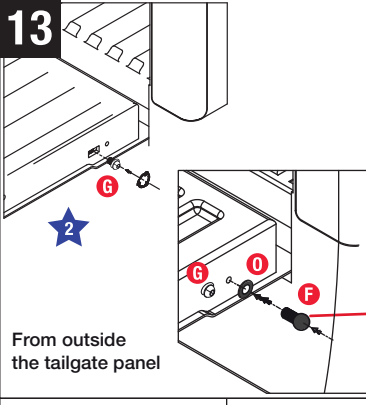
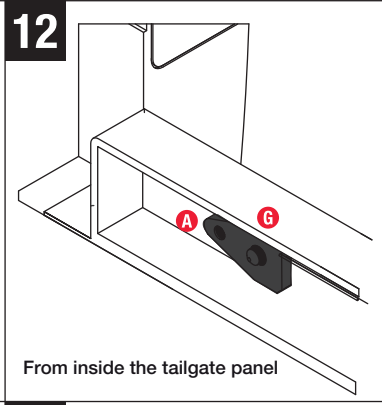
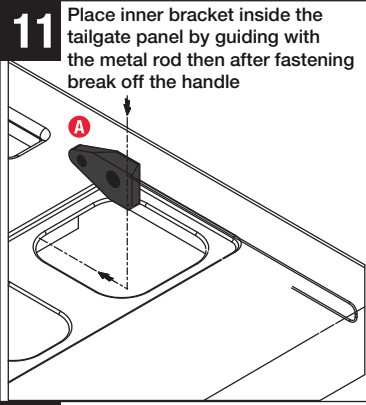
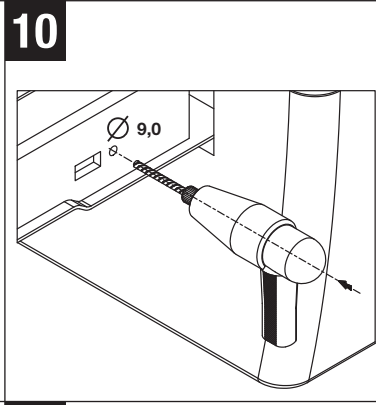
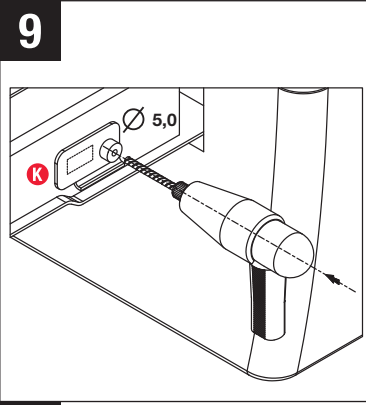
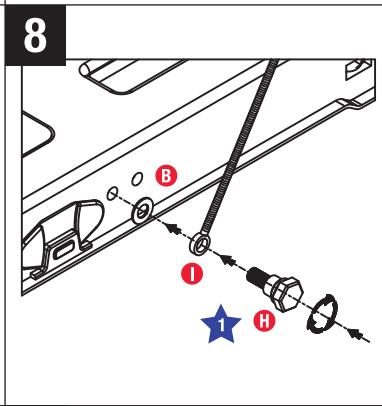
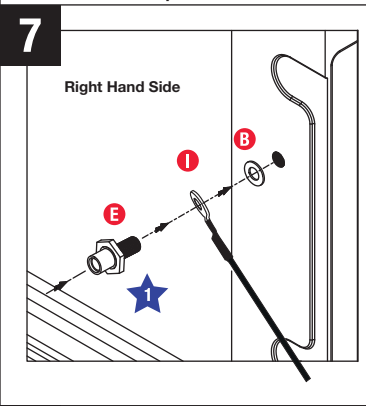
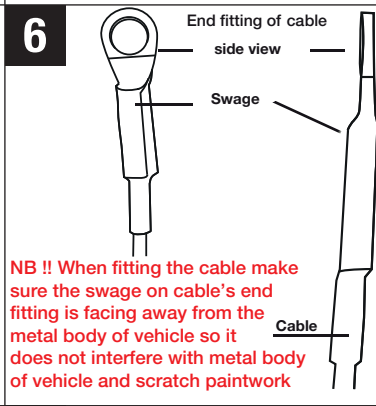
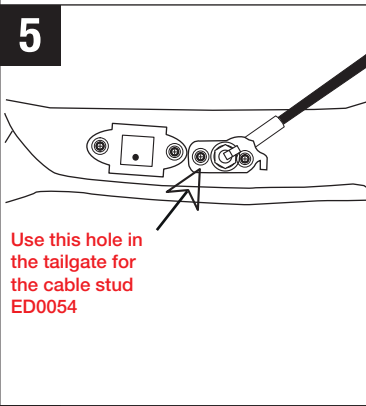
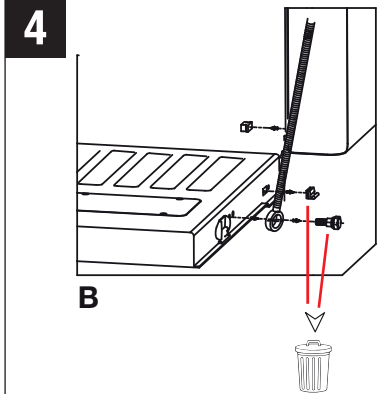
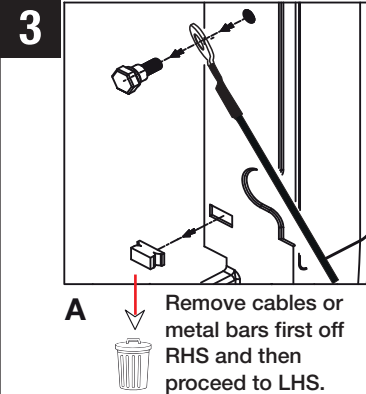
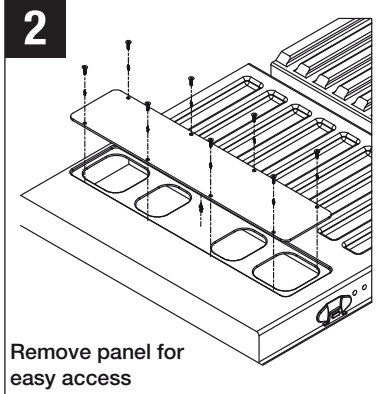


EZDown Instruction

FIAT FULLBACK ED2000

1
RHS and LHS are determined when sitting in the Drivers side of the Vehicle.

First Fit the RHS completely before removing the LHS original bars or cables and then progress to fitment of the LHS.



16
Fit kit on RHS completely first then repeat on LHS with the LHS cable

Ensure Cables are taking weight of the tailgate and not the Damper

Ensure Cables are Free Flowing

FITTING CODE	MANUFACTURER	MODEL TYPE	YEAR	STOCKIST	PRODUCT	REVISION	LABOUR	DATE	PAGE
ED2000	FIAT	FULLBACK	2017	DEALERSHIPS	EZDOWN	6	20min	27/02/2018	1
TORQUE - N.m	★ 27N.m±2N.m		★ 2	15N.m±2N.m				www.ezdown.co.za	

NB: After installation please close tailgate gently to ensure that there is no interference with any hardware.

IMPORTANT:
No liability will be incurred by Industrial Specialised Applications company, for injury, death, or property damage caused by a product which has been set up, operated, and/or installed contrary to EZDown installation guide/manual, or which has been subjected to misuse, negligence, or accident, or which has been repaired or altered by anyone other than Industrial Specialised Applications, or which has been used in a manner or for a purpose for which the product was not designed.

