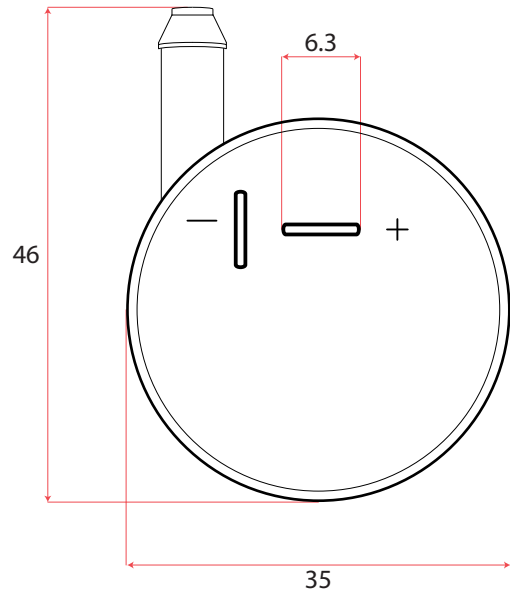
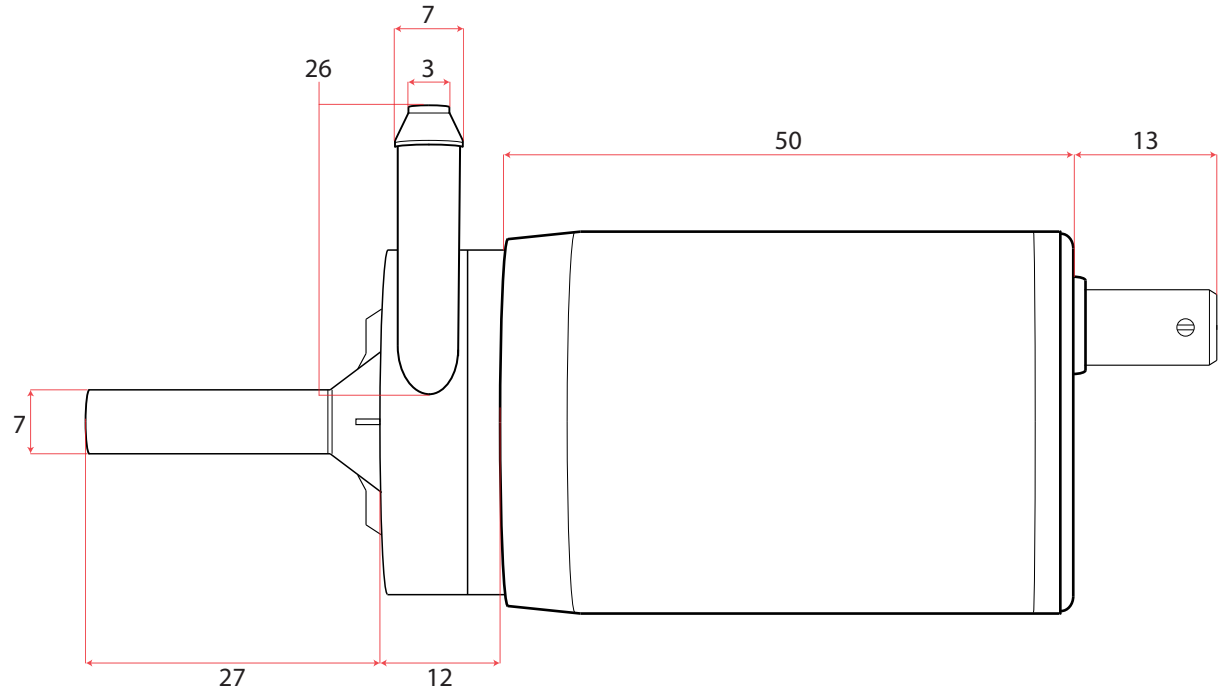


FRONT VIEW



SIDE VIEW



+ / - 5% All Dimensions In MM

<b>Part Number</b>	S 010 002
<b>Voltage</b>	24V
<b>No Load Current</b>	≤0.5A
<b>Operating Current</b>	3.15A
<b>Max Operating Time</b>	5 Seconds ON, 25 Seconds OFF
<b>Minimum Discharge Pressure (kPa)</b>	180
<b>Minimum Discharge Pressure (BAR)</b>	1.8
<b>Flow Rate (With Jet)</b>	300

<b>Optimal Environment</b>	-30°C~+85°C
<b>Pump Weight (Grams)</b>	82 Grams