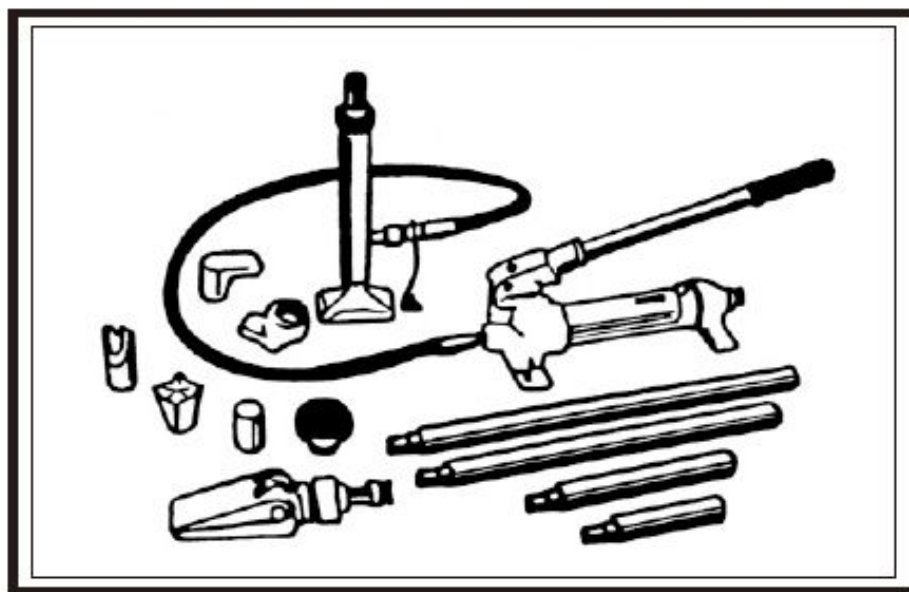




4/10 Ton Riktsats

4/10 Ton Portable Power Pack



Model NO: K 5170 / K 5171

Thank you for purchasing this Kamasa Tools 4/10 Ton Portable power pack. Before attempting to use the unit, please read this instruction booklet carefully.

Tack för ditt inköp av Kamasa Tools 4/10 ton Riktsats. Innan du börjar använda produkten, läs noggrannheten bruksanvisningen.

OPERATION INSTRUCTION

When you want use this jack, turn the control knob of the valve clockwise, pull and push the handle, for easy to use you can put it in any position from horizontal to vertical, but the tube must face downwards, if necessary, the components can be combined with the body. When you want release the jack. turn the control knob of the valve counterclockwise.

MAINTENANCE

FOR LOAD:

1. Maximum load can not exceed the rated capacity.
2. The load on the spreader ram can not exceed 1/2-ton.
3. The load can not exceed the half of the capacity when all tubes used.
4. The extension of the piston can not exceed the stroke.

FOR SAFETY:

1. Working oil: 10.
2. Check the level of oil, if it is not sufficient, please add the same hydraulic oil.
3. After using, close the valve with the cover, to keep the oil free from the dust and dirt.
4. Before lifting, adjust the jack slowly to make the load coaxial with respect to the jack.
5. Tube can not be bent, near to the cutting tools and fires, also can not put the weight on it.

HYDRAULIC OIL:

1. Always use good quality hydraulic jack oil (Recommended ISO Vg15).
2. If possible do not mix the type of oil. At no time use any other type of oil or fluid. When filling with hydraulic oil do not permit dirt or any other substance to enter the hydraulic system.
3. Check the hydraulic system every 4 months to make sure it is free from corrosion. If corrosion is present clean the part and wipe it with an oily cloth.

SPECIFICATIONS

Capacity	4ton	10ton
Max lifting height	120mm	135mm
Cylinder min height	278mm	390mm
Working pressure	56Mpa	62Mpa
Oil to be filled	350g	500g
Net weight	20kg	33kg

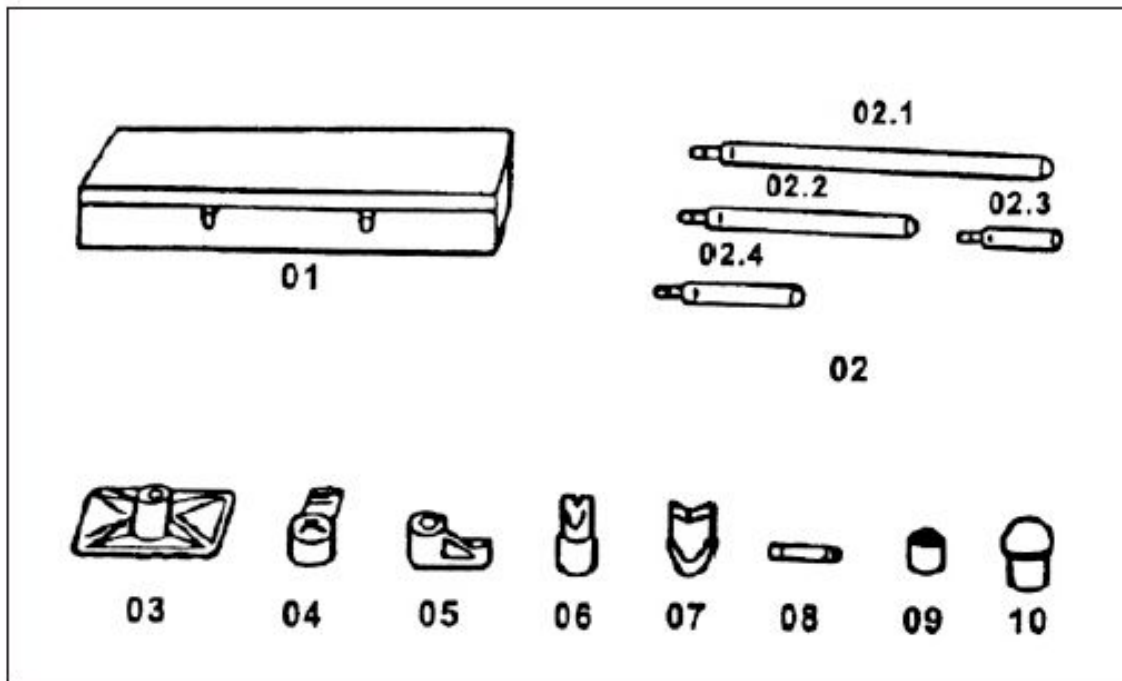
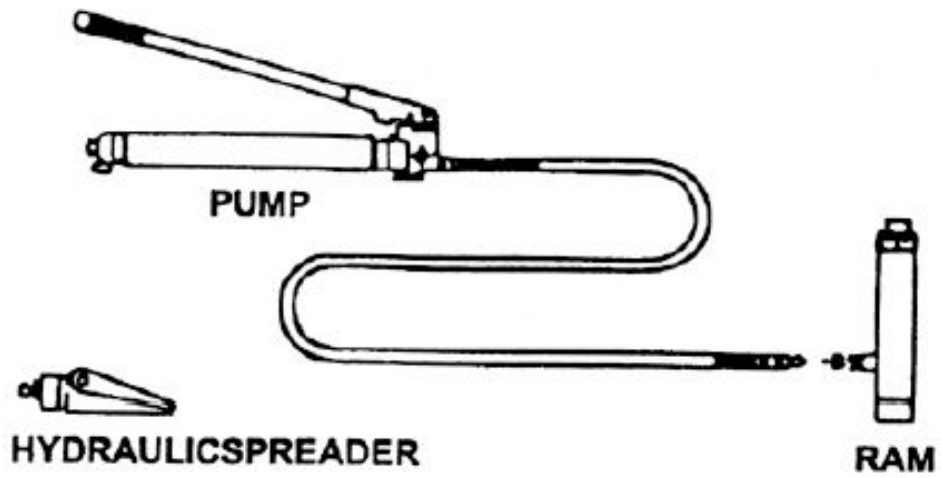
PARTS LIST

Part No.	Description	QTY	Part No.	Description	QTY
01	Metal Box	1	21	Nut	1
02	Tube	4	22	O-Ring	4
03	Base	1	23	Screw	1
04	Spreader Ram Toe	1	24	Ball	3
05	Plate Head	1	25	O-Ring	1
06	Wedge Head	1	26	Release Valve	1
07	Squre Head	1	27	Hydraulic Hose	1
08	Movable Connection	1	28	Coupler	1
09	Serrated Saddle	1	29	Dust Proof Cover	1
10	Rubber Head	1	30	Ball	1
11	Valve Block	1	31	Ball Cup	1
12	Oil Fiter	1	32	Spring	1
13	O-Ring	2	33	Screw	1
14	Reservoir	1	34	Screw Protector	1
15	Ring	1	35	O-Ring	1
16	Nut	1	36	Screw	1
17	Breathe Valve	1	37	Nylon Sealing Ring	1
18	Tie Rod	1	38	O-Ring	1
19	Reservoir Cover	1	39	Piston	1
20	Pump Foot	1	40	Pin	1

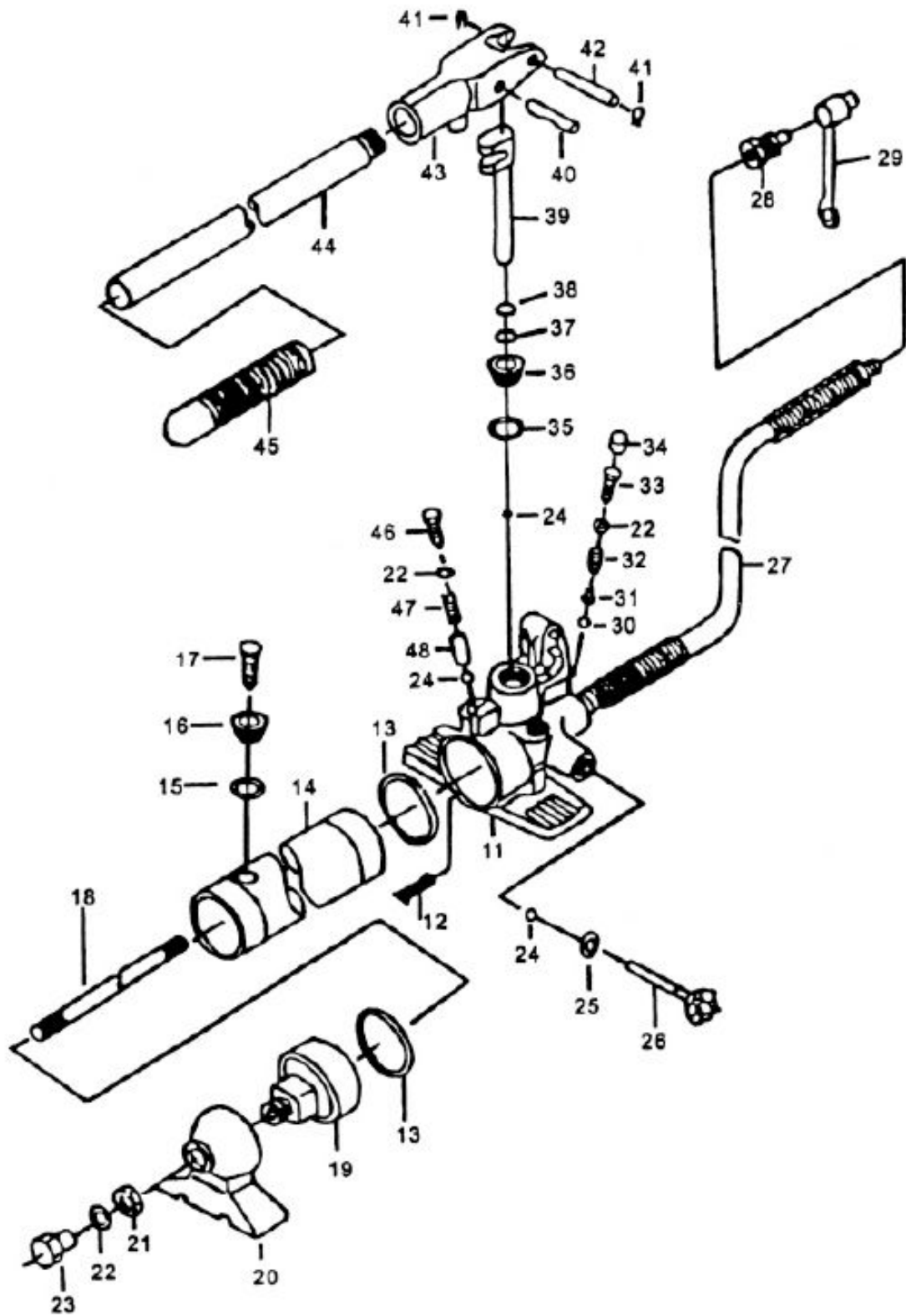
PARTS LIST

Part No.	Description	QTY	Part No.	Description	QTY
41	Retaining ring	2	61	Cover	1
42	Pin	1	62	Dust Proof Cover	2
43	Handle Scket	1	63	O-Ring	2
44	Handle	1	64	Cylinder Screw	2
45	Handle Sleeve	1	65	Connection Nut	2
46	Screw	1	66	Screw	1
47	Spring	1	67	Fixed Jaw	1
48	Bushing	1	68	Small Piston	1
49	Cylinder	1	69	Piston Ring	1
50	Ring For Ran	1	70	O-Ring	1
51	Screw Cover	1	71	Screw Cover	1
52	Screw	1	72	Movable Jaw	1
53	Nut	1	73	Pin	1
54	Pull Spring	1	74	Ret	2
55	Retaining Ring	1	75	aining Ring	1
56	O-Ring	1		Sping	
57	Nylon Sealing Ring	1			
58	Bushing	1			
59	Retaining Ring	1			
60	Piston Rod	1			

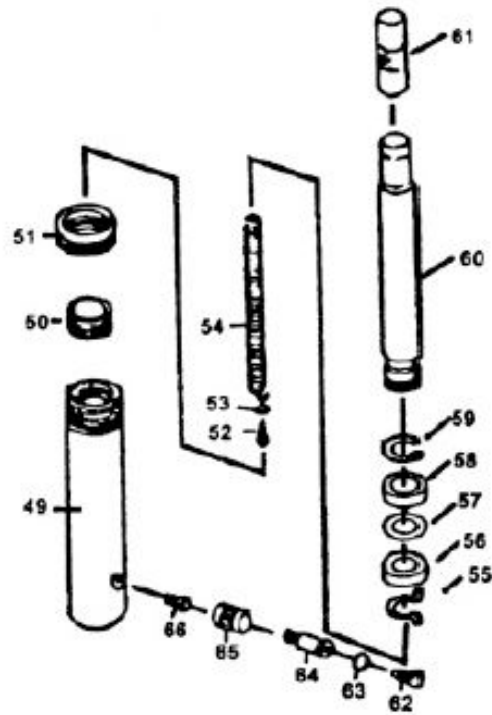
POWER-KIT



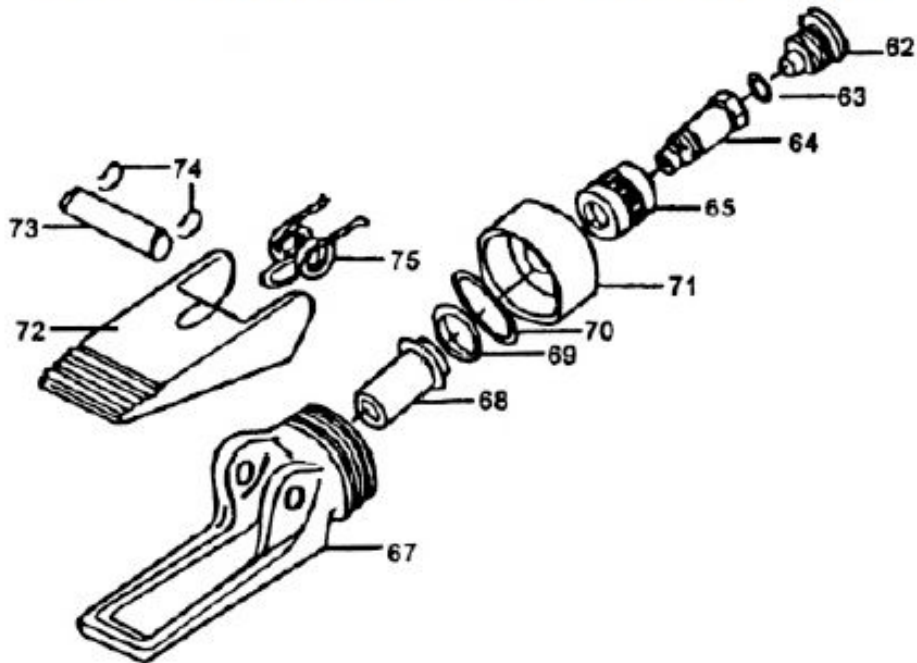
HYDRAULIC BODY/FRAME PUMP



HYDRAULIC RAM



HYDRAULIC SPREADER



TROUBLESHOOTING CHART

Stop using this equipment immediately if any of the following problems occur, as it may cause personal injury. Any repairs or replacement must be done by a qualified person of an authorized service center only.

PROBLEM	POSSIBLE CAUSE(S)	SOLUTION
When use this equipment, after correctly connection as per operation manual, pump up the handle, the ram doesn't work	1. the steel ball is immersed inside for too long time.	1. Please follow the steps: 1) release the valve, pump up the handle for 10-15 times. 2) Close the valve, pump up the handle for another 5-10 times. 3) Repeat step 1) and 2) for about 3 three times, this problem will be settled.
		1. Tighten the knob of the valve.
When use this equipment, after correctly connection as per operation manual, pump up the handle, the ram at first goes up and then descends.	2. Scrap iron inside the valve cause unable to be shut off.	2. Please follow the steps: 1) Release the pressure by turning the knob anti-clockwise, pump up the handle 10-15 times. 2) Close the valve, pump up the handle 5-10 times. 3) Repeat step 1) and 2), the problem will be settled.
		1. Stop work immediately, be sure of correct connection of the ram and the base, and put it on the hard ground. Always be secure of its vertical position
When use this equipment, after correctly connection as per operation manual, the ram is found gradient and the piston rod curved.	1. Uncorrect of connection or unbalance of the footing	
<p>Maintenance:</p> <p>After used for 30-50 times, ideal to change the hydraulic oil on the condition of the equipment not on working. Turn on the screw on the rear of the pump, empty the used hydraulic oil, then injecting with fresh oil by oil gun. The recommendatory oil volume is stated below. Do not add oil excessive or the piston rod can not be repositioned normally. If so, turn on the screw on the rear of the pump to discharge unwanted air, then tighten it after the piston rod is repositioned.</p> <p style="text-align: center;"> Availabu Capacity of hydraulic oil of 4Ton pump 250g 5g Availabu Capacity of hydraulic oil of 10Ton pump 500g 5g </p>		