

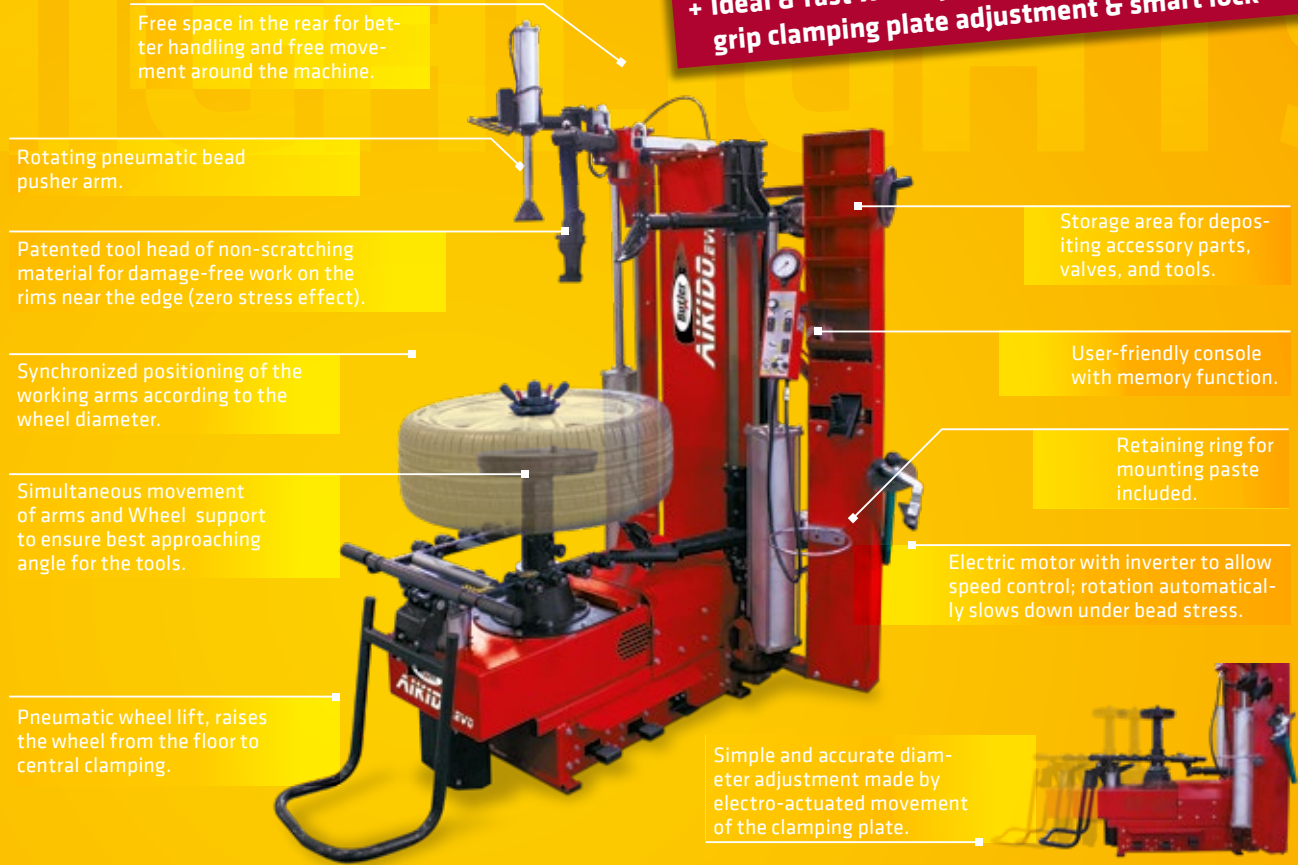
TYRE CHANGER

AUTOMATIC TYRE CHANGER

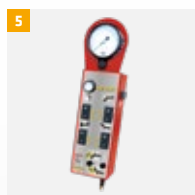
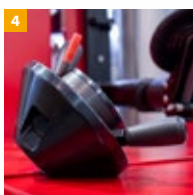
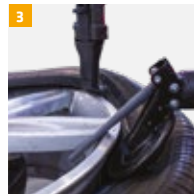
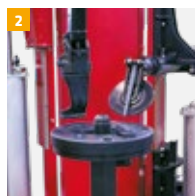
The **AIKIDO.EVO PREMIUM** is a leverless tyre changer, equipped with the patented Butler mounting tool for stress-free mounting and removal of all tires and rims with a diameter of 10" - 34". It provides enough storage area to have all

tools and parts at your working place and with its slim design fits into every workshop.

+ Space saving: no cables on the rear and included storage compartment
+ Faster workflow: memory function for storing tool height
+ Ideal & fast wheel positioning: electro-actuated extra-grip clamping plate adjustment & smart lock



HIGHLIGHTS IN DETAIL



1 Patented extra-grip clamping plate suitable also for reverse rims.

- Automatically increases the clamping pressure during rotation
- Three adjustable working positions.

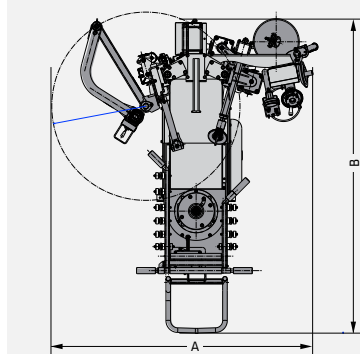
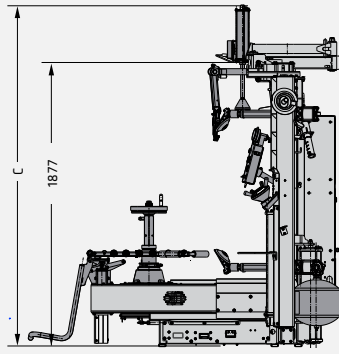
2 Mechanical synchronization of the arms - always pointed to the center of the wheel.

3 Rim sensors on the disks for correct and safe bead breaking without damaging the tire side wall and the pressure sensor.

4 Smart Lock allows a faster and precise locking and unlocking of the rim, maintaining the features of safeness and adaptability of a manual mechanical locking.

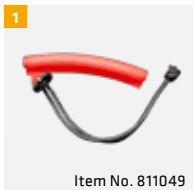
5 "Memory" button for storing the tool height, permits time saving during mounting and removal work

AIKIDO.EVO PREMIUM

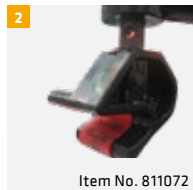


Model	AIKIDO.EVO PREMIUM
Clamping capacity min.	10" - 34"
Rim width max.	15"
Wheel width max.	381 mm
Wheel diameter max.	1270 mm
Automatic bead-breaking movement	Yes
Bead-breaking force	12 kN
Rotation speed	0-15 rpm
Max. torque	1177 Nm
Power inverter motor	1,5 kW
Driving power	0,75 kW
Power supply	230 V
Phases	1
Fuse protection	16 A slow-blow
A Width	1700 mm
B Depth	2300 mm
C Height	2250 mm
Weight	480 kg
Article number (RAL3002)	812796
Article number (RAL7016)	812797

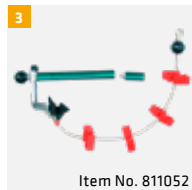
SCOPE OF DELIVERY



Item No. 811049



Item No. 811072



Item No. 811052

- 1 Rim flange plastic protection
- 2 WDK bead pressing device
- 3 Magic cord with traction
- 4 Bead protection foils
- 5 Mounting tool



Item No. 811053



Item No. 811606