

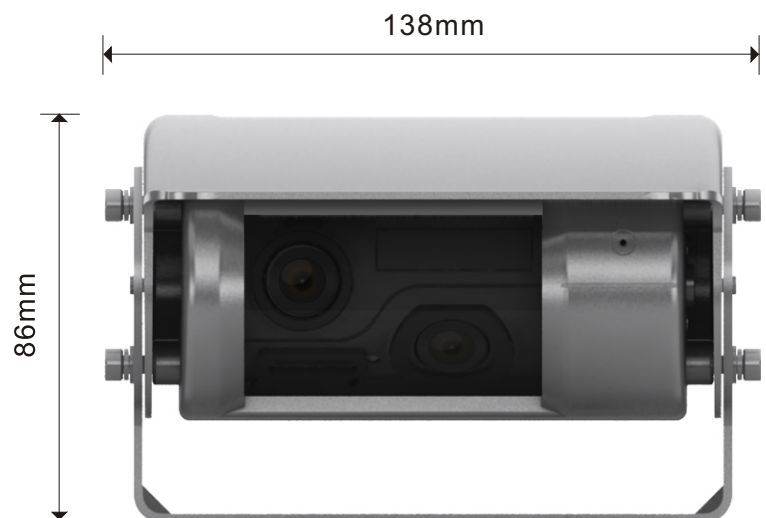
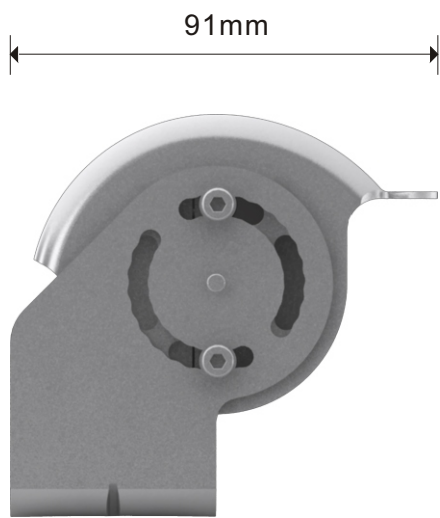
- Twin View Camera
- 1/3" Super HAD II CCD
- Automatic electronic iris
- Ultra low light performance
- Extra-wide field of view
- Automatic Heating
- Nor/Mir image switching
- Vandal resistant
- Water-proof (IP68)
- Input voltage DC 12V from monitor



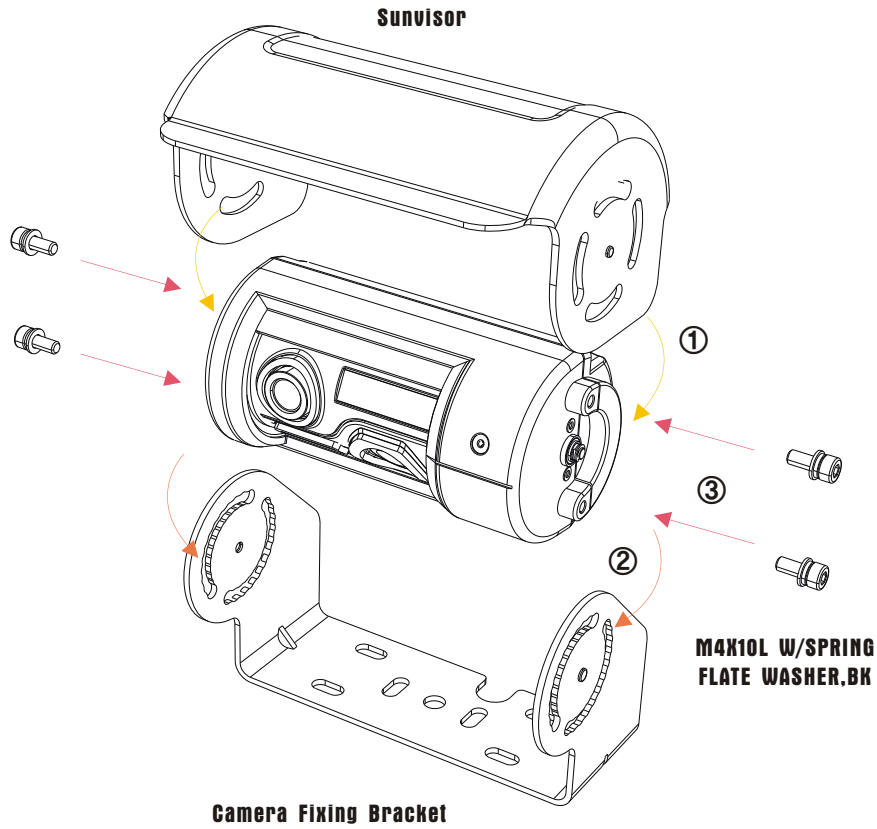
Specifications

Power Input	DC 12V
Power Consumption	Max 5Watt
Image Device	1/3" SONY Super HAD II CCD image sensor
Scanning system	NTSC / PAL
Sync. system	Internal
Picture Element	NTSC : 270,000 Pixels/ PAL:320,000 Pixels
Electronic Shutter	Built-in
Horizontal Resolution	More than 330 TV Lines.
Angle of view	CA1: Diagonal: 150°, Horizontal : 120°, Vertical : 90° CA2: Diagonal: 40°, Horizontal : 32°, Vertical : 24° (Optional Different Lens Available.)
Mini. Illumination	0 Lux.(IR LED ON) W/ 4 IR LED ,CDS (CAM1)
S/N Ratio	Better than 50dB (at AGC off)
Audio	Built -In Condenser Mic.
Connector. (6P DIN)	1: Video Output1 2: Audio Output 3: Power Input DC 12V 4: Video Output2 5: Control Signal 6: Ground
Case Material	Window : Curved Glass Body : Aluminum
Ambient Condition	Indoor / Out door Use .
Vibration	6 G
Impact	100 G
I.P Factor	I.P 68(W/Mic.),I.P 69K(W/O Mic.)
Operating temp.	-10°C~50°C(-14°F ~ 122°F)
Dimension	114(W) x 57(H) x 59(D)mm (4.1(H) x 2.2(W) x 2.3(D) inch)
Weight	Approx. 590g
Supplied Acc'y	※ Camera Fixing Bracket (1) ※ Instruction Manual. (1) ※ Screw Kits (1) ※ Sunvisor (1)

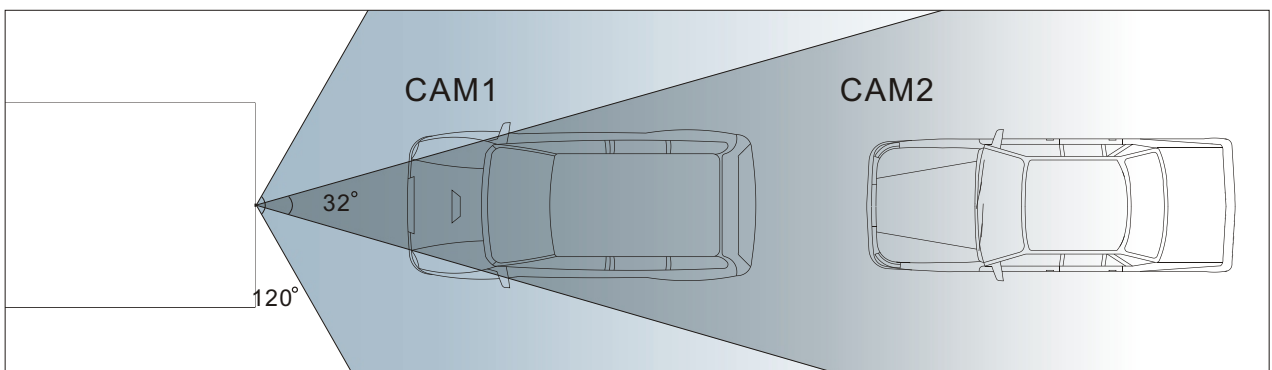
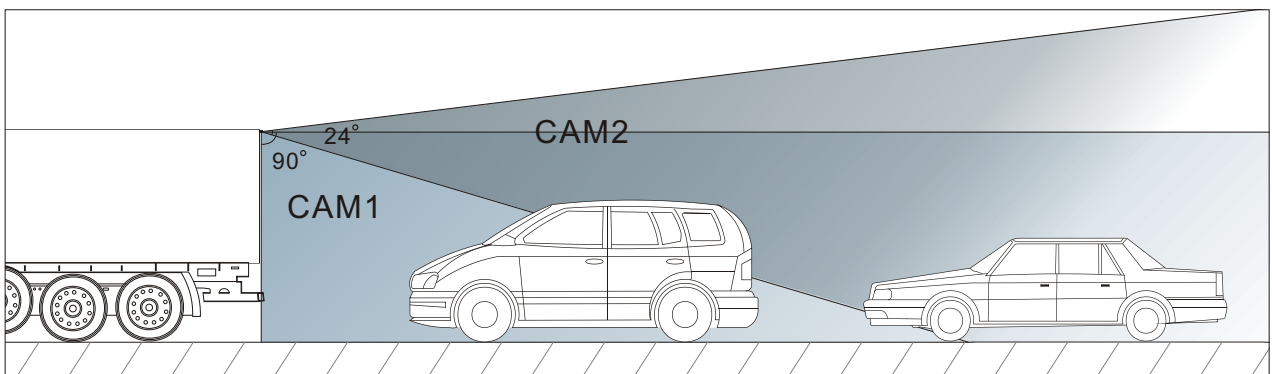
MXN95C



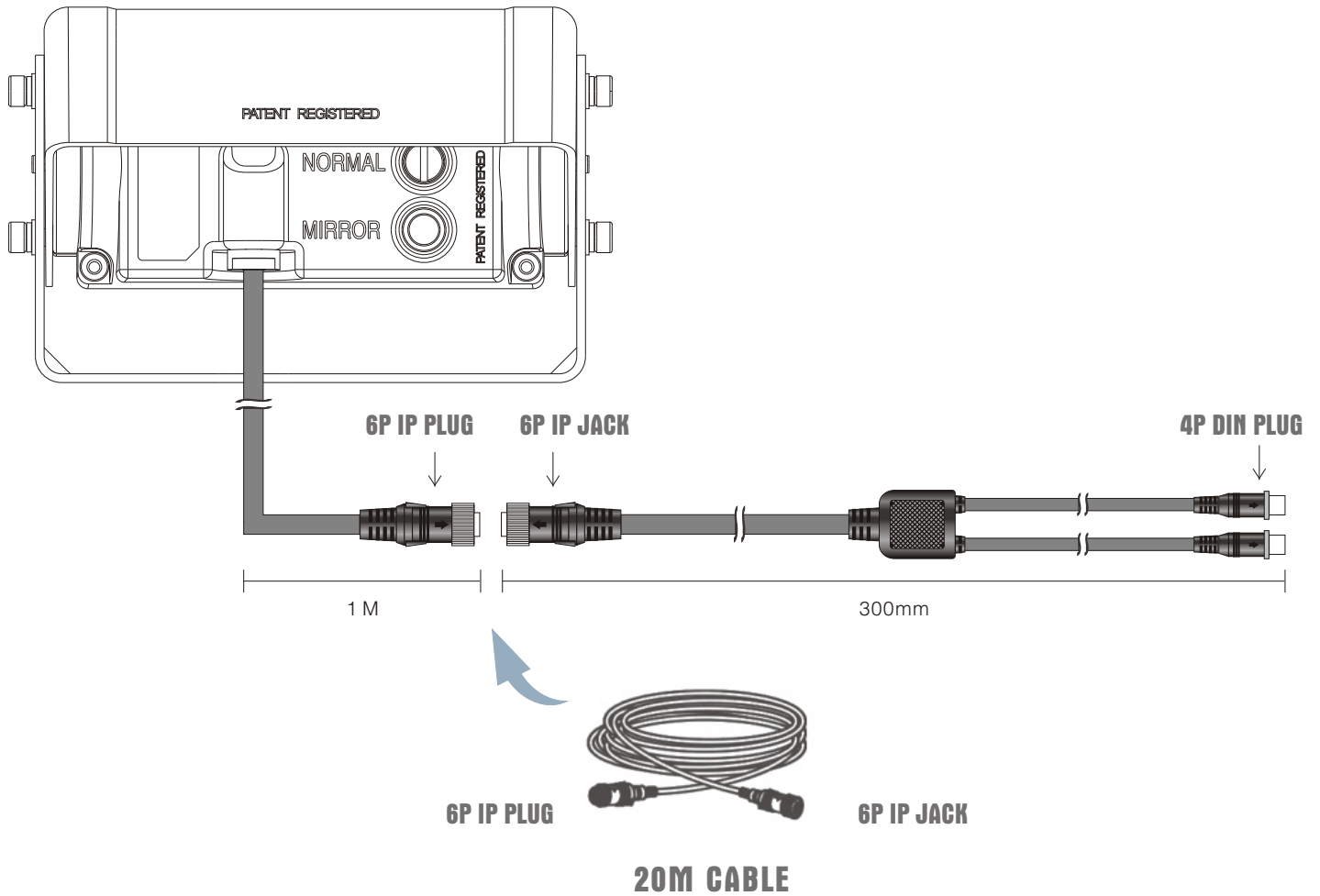
Installation



Angle of view

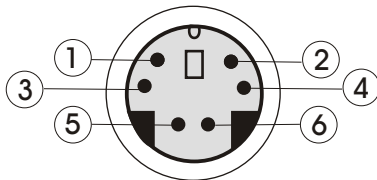


Connection



Camera input connector pin description.

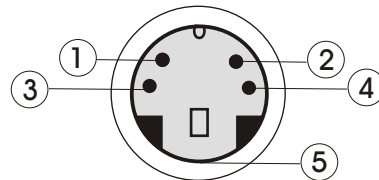
6P IP CONNECTER



Pin No.	Description
1	Shutter
2	Audio
3	Video 1
4	Ground
5	Video 2
6	Power

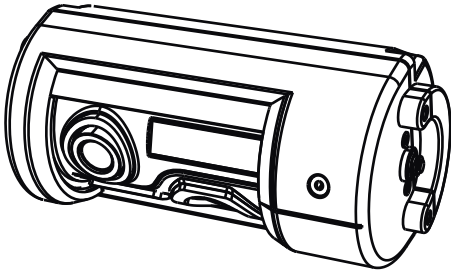
Camera input connector pin description.

4P DIN CONNECTER

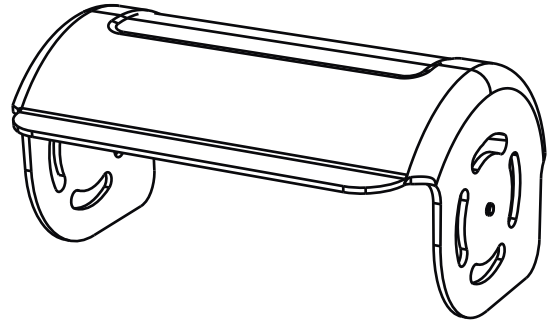


Pin No.	Description
1	Shutter
2	Audio
3	Video 1, Video 2
4	Power
5	Ground

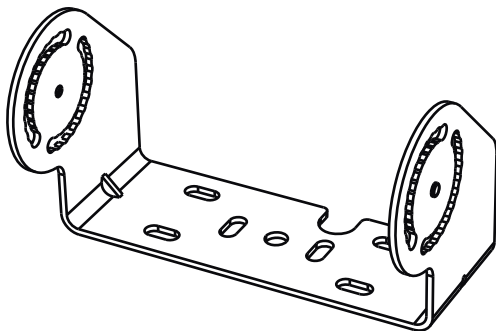
Composition



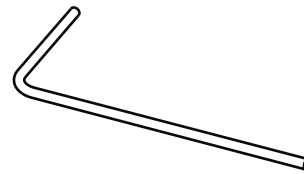
Twin View Camera



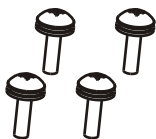
Sunvisor



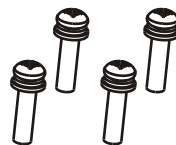
Camera Fixing Bracket



L-Rench



T/H M5X16L STAINLESS,BK



**P/H W/WASHER
T5X16L STAINLESS,BK**



**M4X10L W/SPRING
FLATE WASHER,BK**