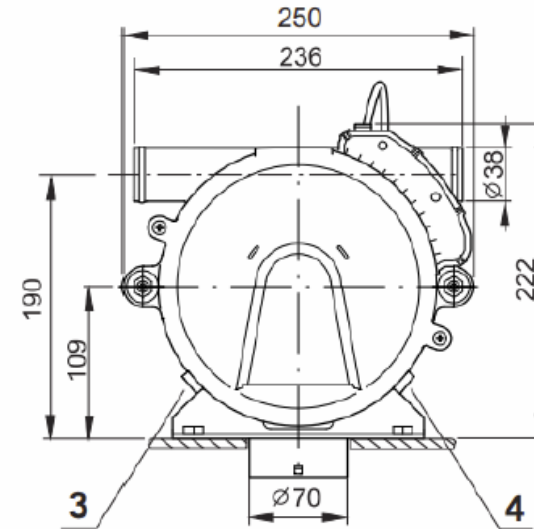
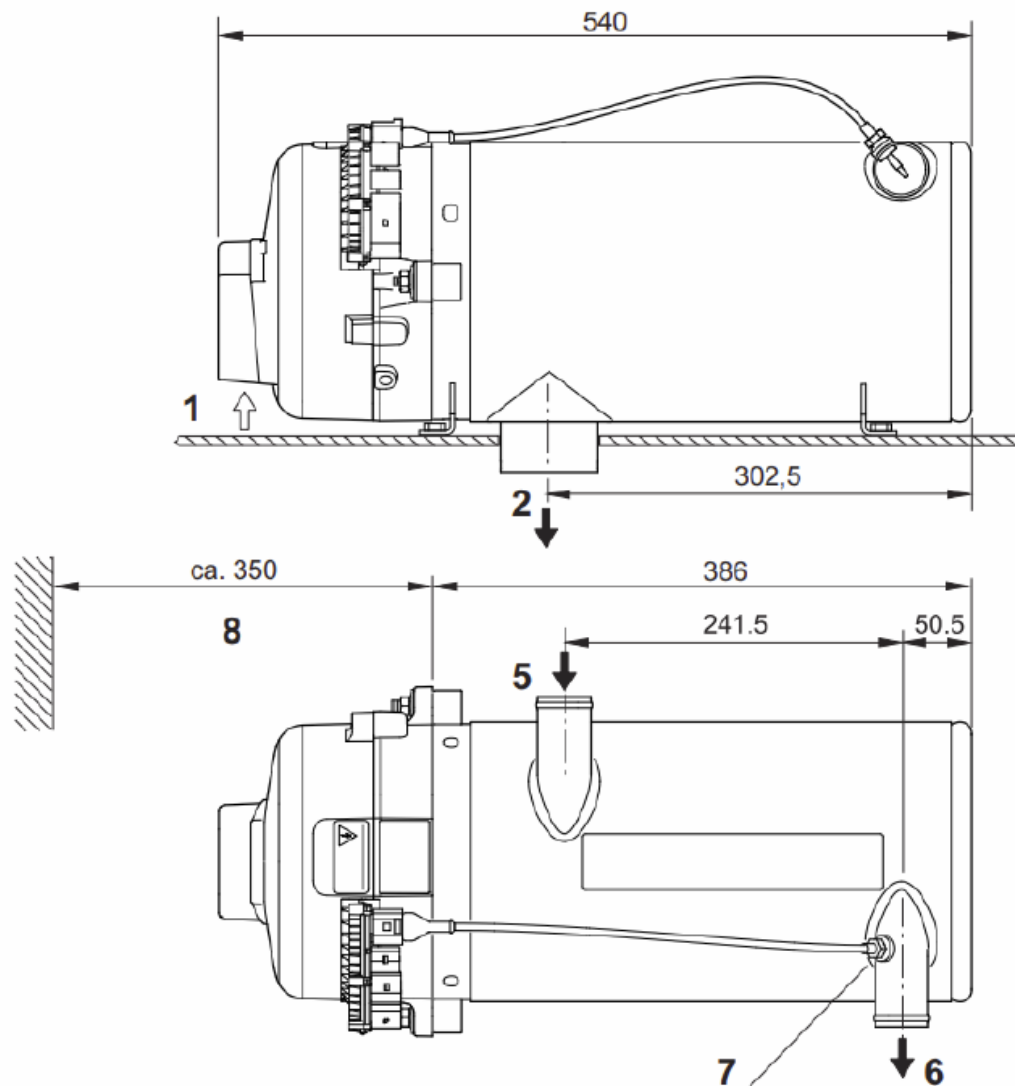


Product dimensions



- 1 Combustion air intake
- 2 Exhaust outlet
- 3 Fuel intake
- 4 Fuel discharge
- 5 Coolant intake
- 6 Coolant outlet
- 7 Temperature sensor
- 8 Space required to remove the burner chamber