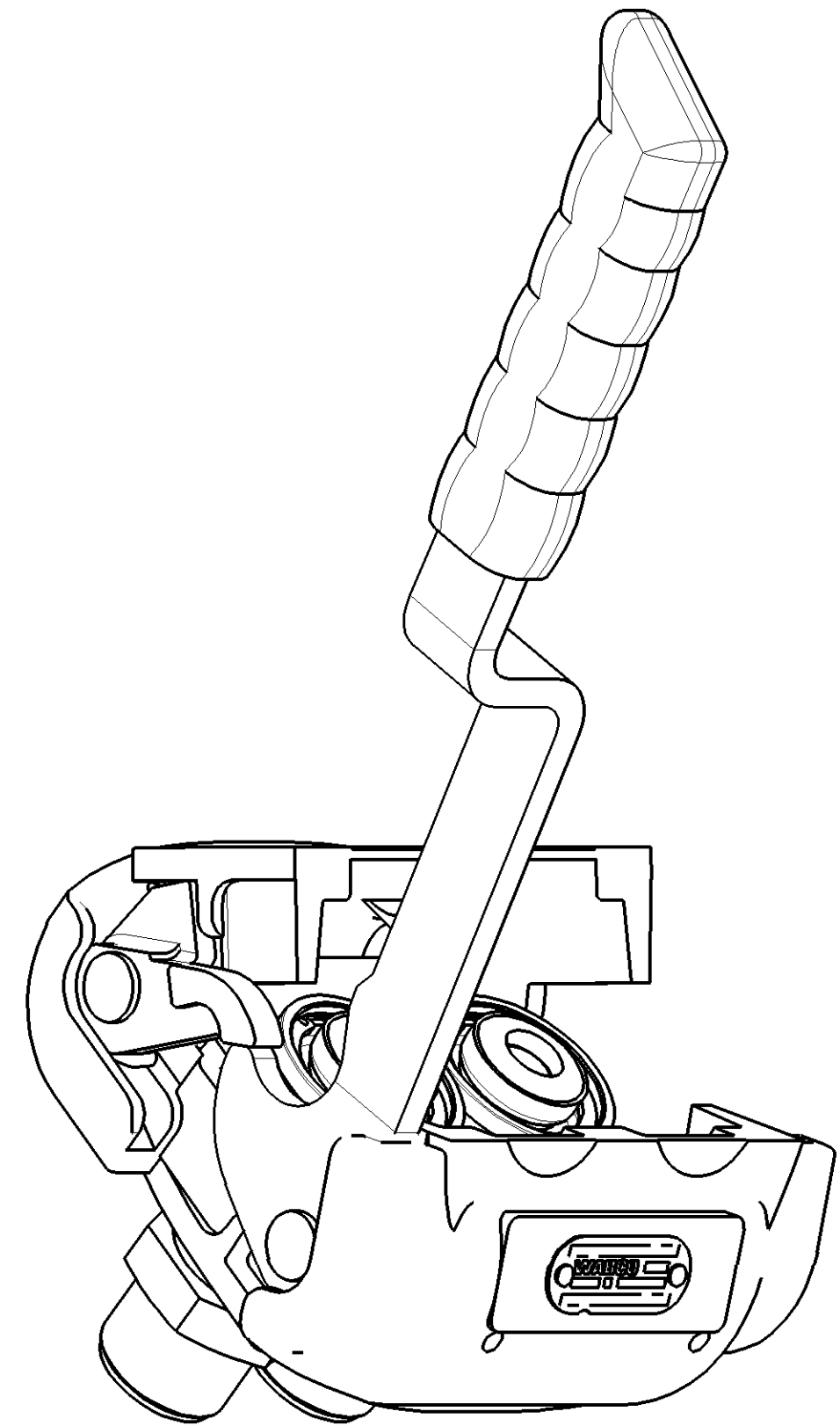
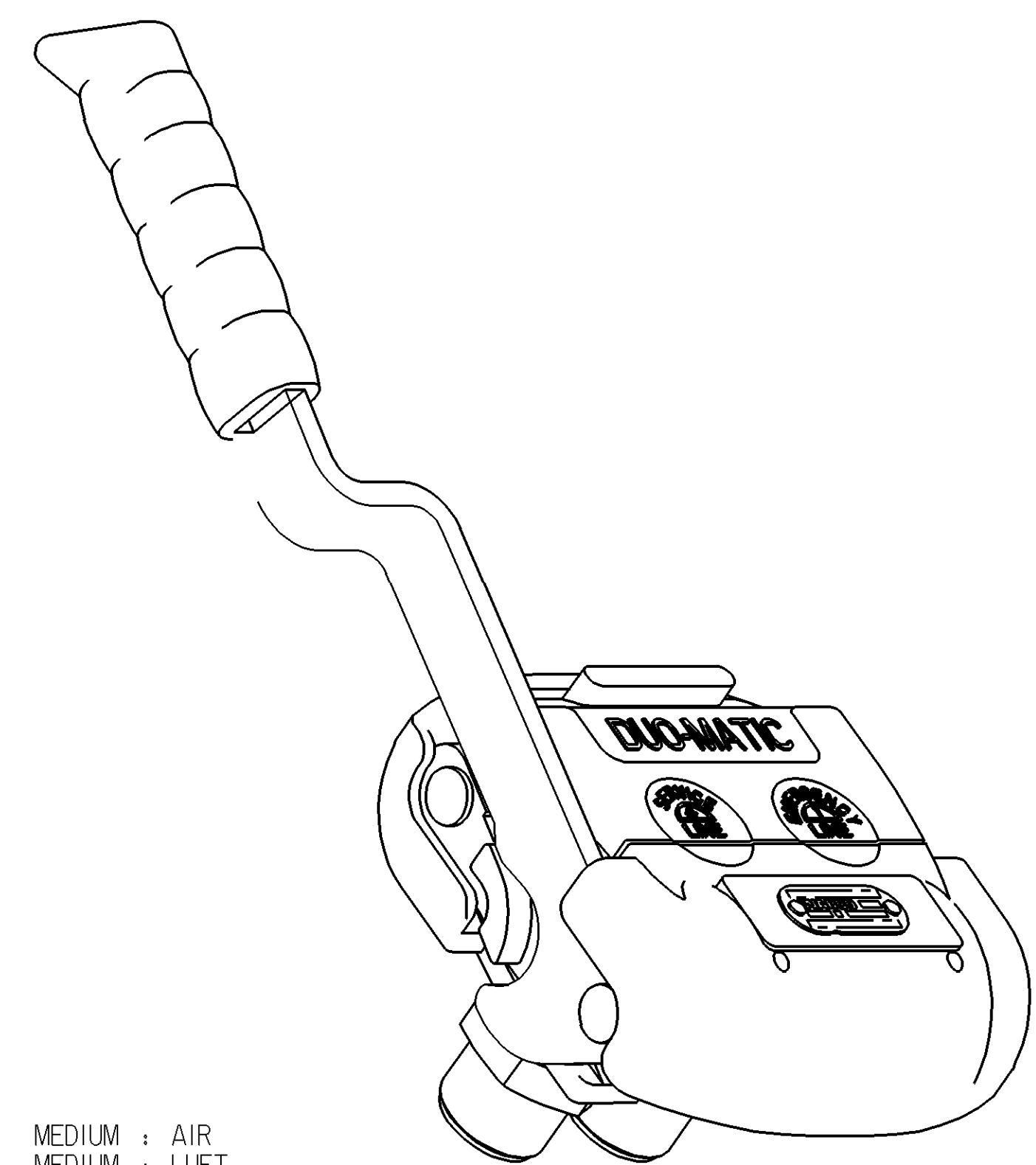
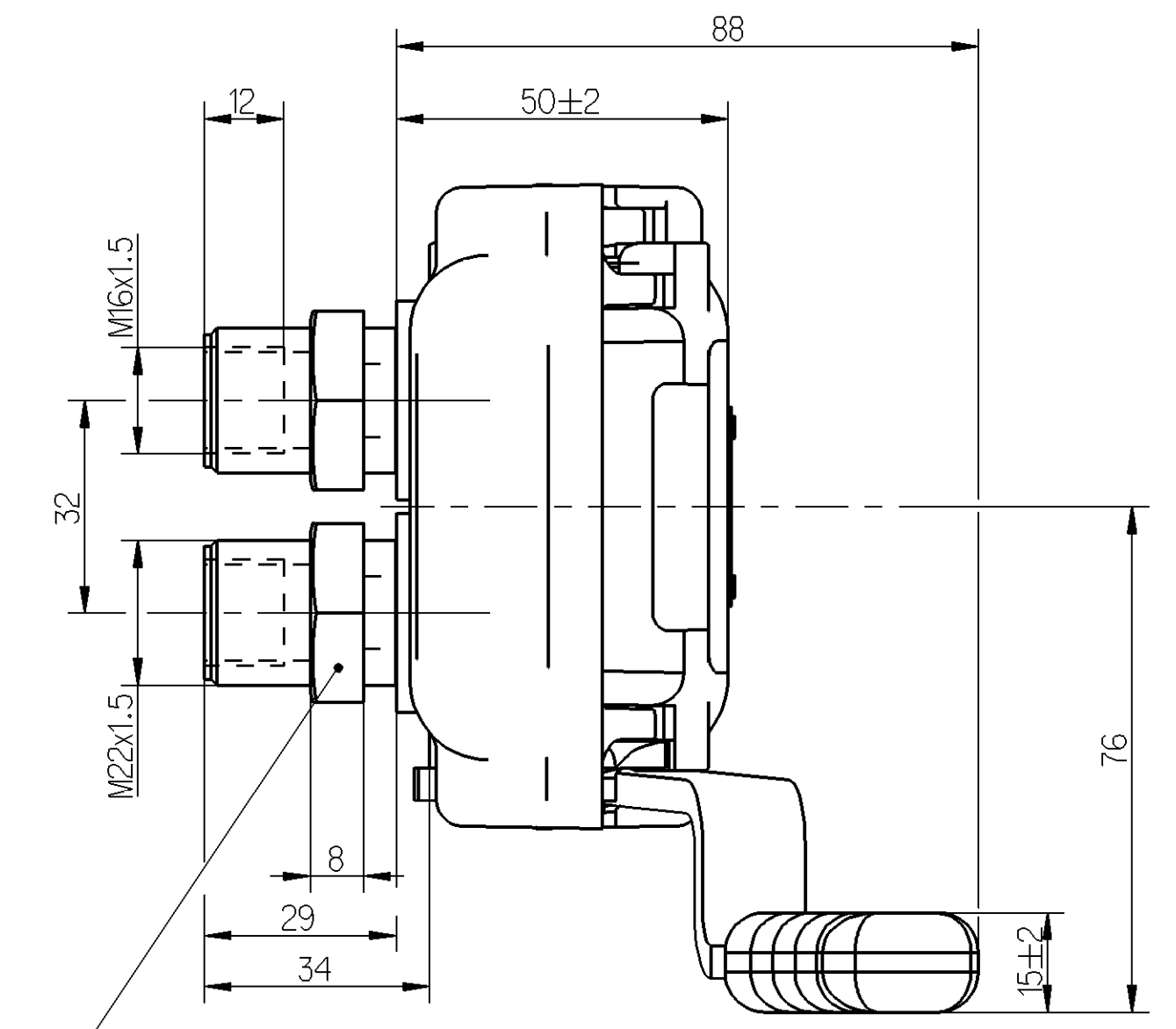
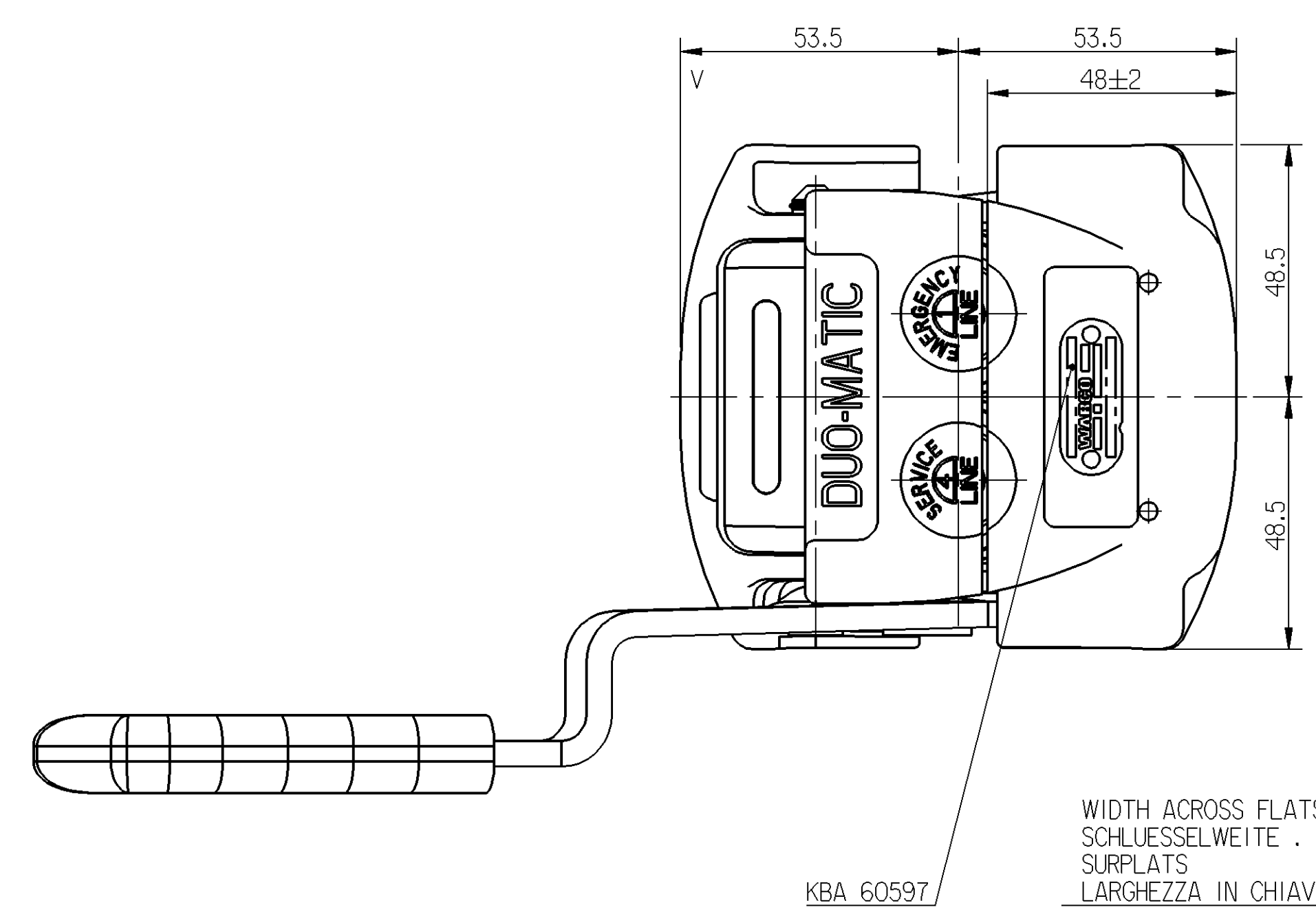
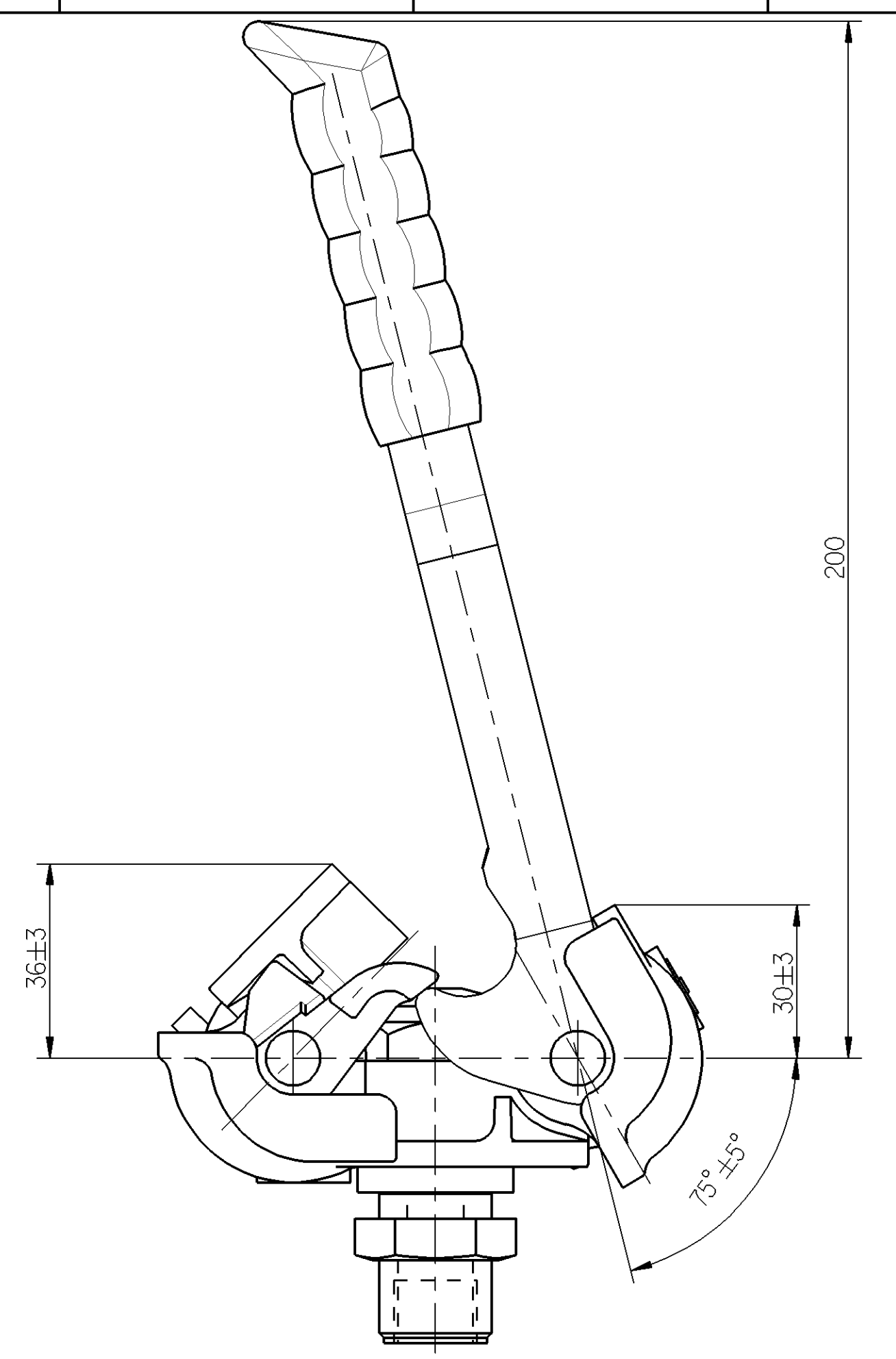
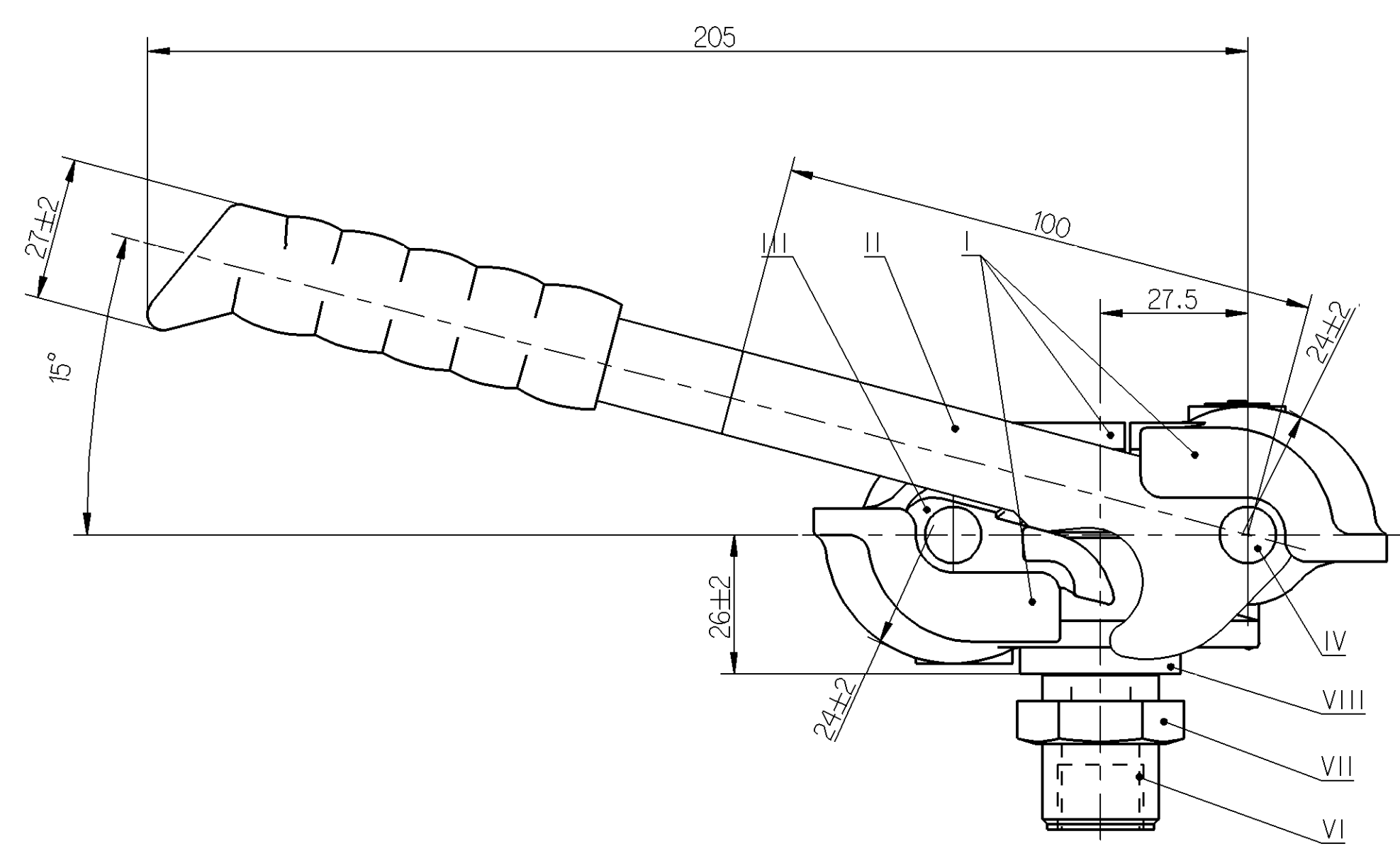
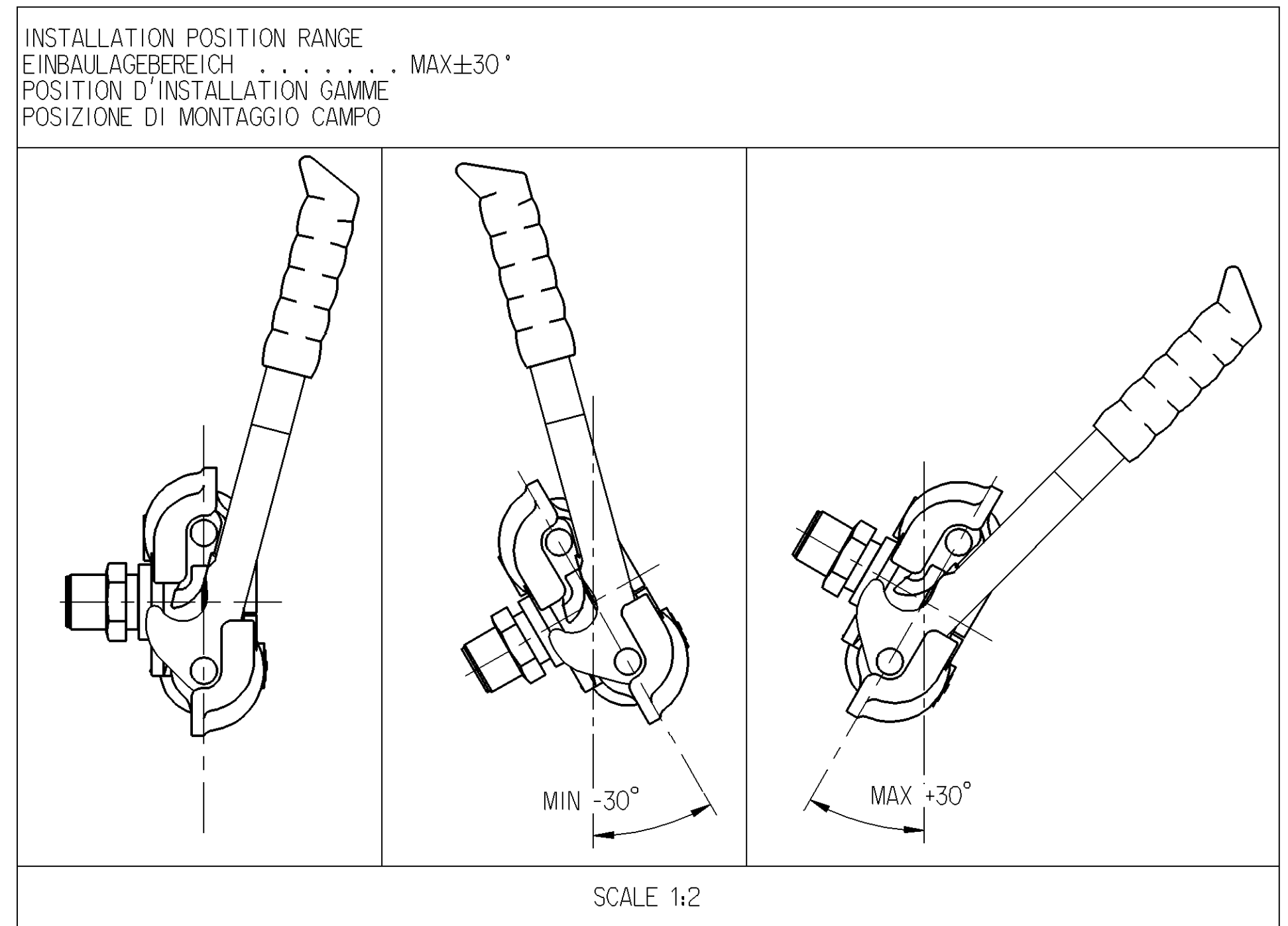


MATERIAL AND SURFACE PROTECTION		
I	Al JED-029M1	C JED-259
II	Fe JED-022M1	Zn/Al JED-378
III	Fe JED-004M	C JED-260
IV	Fe JED-020-1	Zn/Fe JED-256-1
V	Fe JED-050M0	---
VI	Fe JED-020-1	Zn/Fe JED-256-1
VII	Fe 14H	Zn/Al JED-378-1
VIII	Fe JED-020-1	Zn/Fe JED-256-1



MEDIUM : AIR  
MEDIUM : LUFT  
FLUIDE : AIR  
FLUIDO : ARIA

SERVICE PRESSURE  
BETRIEBSDRUCK . . . . . pe = max. 10bar  
PRESSION DE SERVICE  
PRESSION D'ESERCIZIO

THERMAL RANGE OF APPLICATION  
THERMISCHER ANWENDUNGSBEREICH . . . -40°C...+80°C  
GAMME D'APPLICATION THERMIQUE  
CAMPO DI APLICAZIONE TERMICA

1 - PORT FOR EMERGENCY  
ANSCHLUSS FUER VORRATSLAUFUNG  
ORIFICE POUR LIGNE D'URGENCE  
ORIFIZIO PER LINEA D'EMERGENZA

4 - PORT FOR SERVICE LINE  
ANSCHLUSS FUER BREMSLAUFUNG  
ORIFICE POUR SERVICE LIGNE  
ORIFIZIO PER SERVIZIO LINEA

General Specification: JED-334-0		Copyright WABCO®		<b>WABCO</b>	
Further Technical Data:		Date: 2004-03-10		Doc. Code: 605	
Doc. Code: 605		Sheet: 1		To: SUTOR	
General Tolerances JED-261		Checked: 04-03-10		Expert: REMSKI	
Range of Nominal Dimensions ( ± mm)		Expert: BUCZYLO		Material No.:	
Class 1)	≤ 50	> 50 ≤ 180	> 180 ≤ 400	> 400	±3*
Fine	0,5	1,0	1,5	2,0	
Medium	X 1,0	2,0	3,0	4,0	
Coarse	2,0	3,5	5,0	6,5	
Tapped Holes acc. JED-152		Scale: 1:1		Material No.:	
State of Revision		Size: TR1		Material No.:	
1) Tolerance Class Applied Crossmarked		A 1		Material No.:	
		540		Material No.:	
		Function Code: 0 0 X		Material No.:	
		Prod. Type: 0 0 X		Material No.:	
		Replacement for:		Material No.:	
		100mm		Material No.:	