



LT2000 Utility 12 volt Winch LT2000 ATV 12 volt Winch 1220210 / 1120210

March 2008



*LT2000 Utility 12volt Winch:
1220210
Suitable for a range of Trailer
type fitting, supplied with Wire
Rope & 1.8mtr Remote Control*

Auto-Reset Circuit Breaker

LT2000 Utility Winch

*LT2000 ATV 12volt Winch: 1120210
Suitable for many ATV type vehicle
fittings, supplied with: Roller
Fairlead, W-Rope, Pulley Block, 'D'
Shackle & Handlebar Switch.*



Handlebar mounted Toggle Switch

LT2000 ATV Winch

Features

LT2000 Utility & LT2000 ATV

- 907 kg single line pull
- Efficient, Differential planetary gear box.
- Freespooling clutch for fast wire rope payout.
- Efficient, 1hp Low Amp Draw motor.
- Auto-Reset Circuit Breaker.
- High tensile Wire Rope assembly.
- Hand Held Remote, (LT2000 Utility only).
- Heavy duty sealed contactors, (LT2000ATV only).
- Handlebar mounted Toggle Switch, (LT2000ATV only).
- Heavy duty Roller Fairlead, (LT2000ATV only).
- Pulley Block, (LT2000ATV only).
- 'D' Shackle, (LT2000ATV only).
- Winch fitting kits available for a range of ATV vehicles,

Specifications

LT2000 Utility LT2000ATV

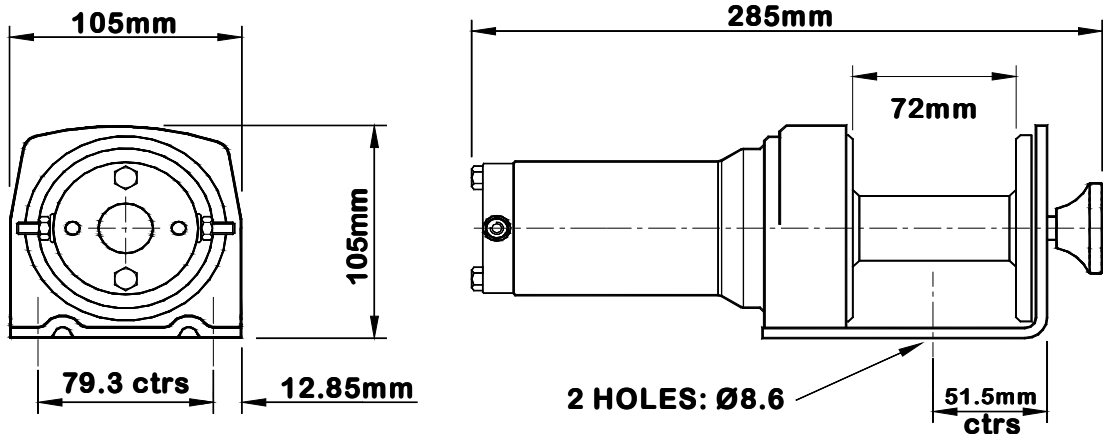
Part No:	1120210 / 1220200
Rated line pull,	8.9Kn (907kg)
Motor, 12 volt only	0.8 Kw (1hp)
Gearing	Differential Planetary
Gear ratio	153:1
Freespooling clutch	Pull & Turn
Braking	Dynamic
Wire Rope	3.9mm x 15mtr
Dimensions: mm	285 x 105 x 105
Drum diameter	32mm
Drum length	72mm
Weight	Utility: 5.4kg / ATV: 6.6kg
Switching method	Handheld Remote, Utility only
“ “	Handlebar Mount Toggle Switch, ATV only
Switching mechanism	Direct switching, Utility, (no solenoids)
“ “	H-D Sealed Solenoids, ATV only
Roller fairlead	Standard with ATV only
Colour coded wiring	Standard

Performance

Line Pull 1 st Layer on Drum <i>kg</i>	LT2000	
	Line Speed <i>Metre/min</i>	Motor Amps <i>12volt</i>
0	3.0	10
227	2.4	25
454	2.0	50
680	1.4	70
907	0.8	100

Dimensions

LT2000 Utility & LT2000 ATV





LT2000 Utility 12 volt Winch LT2000 ATV 12 volt Winch 1220210 / 1120210

Feb 2008



*LT2000 Utility 12volt Winch:
1220210
Suitable for a range of
Trailer type fittings, supplied
with Wire Rope & 1.8mtr
Remote Control & Circuit
Breaker*

Available: Feb 2008

*LT2000 ATV 12volt Winch:
1120210
Suitable for many ATV type
vehicle fittings, supplied with:
Roller Fairlead, W-Rope, Pulley
Block, 'D' Shackle, Solenoid
pack & Handlebar Switch.*

Available: April 2008



Features

LT2000 Utility & LT2000 ATV

- 907 kg single line pull
- Efficient, Differential planetary gear box.
- Freespooling clutch for fast wire rope payout.
- Efficient, 1hp Low Amp Draw motor.
- Auto-Reset Circuit Breaker.
- High tensile Wire Rope assembly.
- Hand Held Remote, (LT2000 Utility only).
- Heavy duty sealed contactors, (LT2000ATV only).
- Handlebar mounted Toggle Switch, (LT2000ATV only).
- Heavy duty Roller Fairlead, (LT2000ATV only).
- Pulley Block & 'D' Shackle, (LT2000ATV only).
- Winch fitting kits available for a range of ATV vehicles,



LT2000 Utility



LT2000ATV

LT2000 Utility Winch



LT2000 ATV Winch

Specification:	
LT2000 Utility:	LT2000 ATV:
Wire Rope, 3.9 X 15 mtr	Wire Rope, 3.9 X 15 mtr
Auto-reset Circuit Breaker	Auto-reset Circuit Breaker
1.8 mtr Handheld Remote	Handlebar Mount Switch
	Roller Fairlead
	Pulley Block
	'D' Shackle

Auto-Reset Circuit Breaker

Handlebar mounted Toggle Switch

LT2000 ATV 12volt Winch: 1120210
 Suitable for many ATV type vehicle fittings, supplied with: Roller Fairlead, W-Rope, Pulley Block, 'D' Shackle & Handlebar Switch.

LT2000 Utility 12volt Winch: 1220210
 Suitable for a range of Trailer type fitting, supplied with Wire Rope & 1.8mtr Remote Control

Features

LT2000 Utility & ATV

907 kg single line pull
Quiet, efficient, planetary gear box.
Freespooling clutch for fast wire rope payout.
Efficient, 1.5hp Low Amp Draw motor.
Heavy duty sealed contactors.
Auto-Reset Circuit Breaker.
High tensile Wire Rope assembly.
Hand Held Remote, (LT2000 Utility).
Handlebar mounted Toggle Switch, (LT2000ATV).
Heavy duty Roller Fairlead, (LT2000ATV).
Pulley Block, (LT2000ATV).
'D' Shackle, (LT2000ATV).
Winch fitting kits available for a range of ATV vehicles,

Superwinch Ltd., Union Mine Road, Pitts Cleave, Tavistock, Devon. PL19 9DR.
Tel: 44 (0) 1822-614101. Fax: 44 (0) 1822-615204. e-mail: sales@superwinch.net



