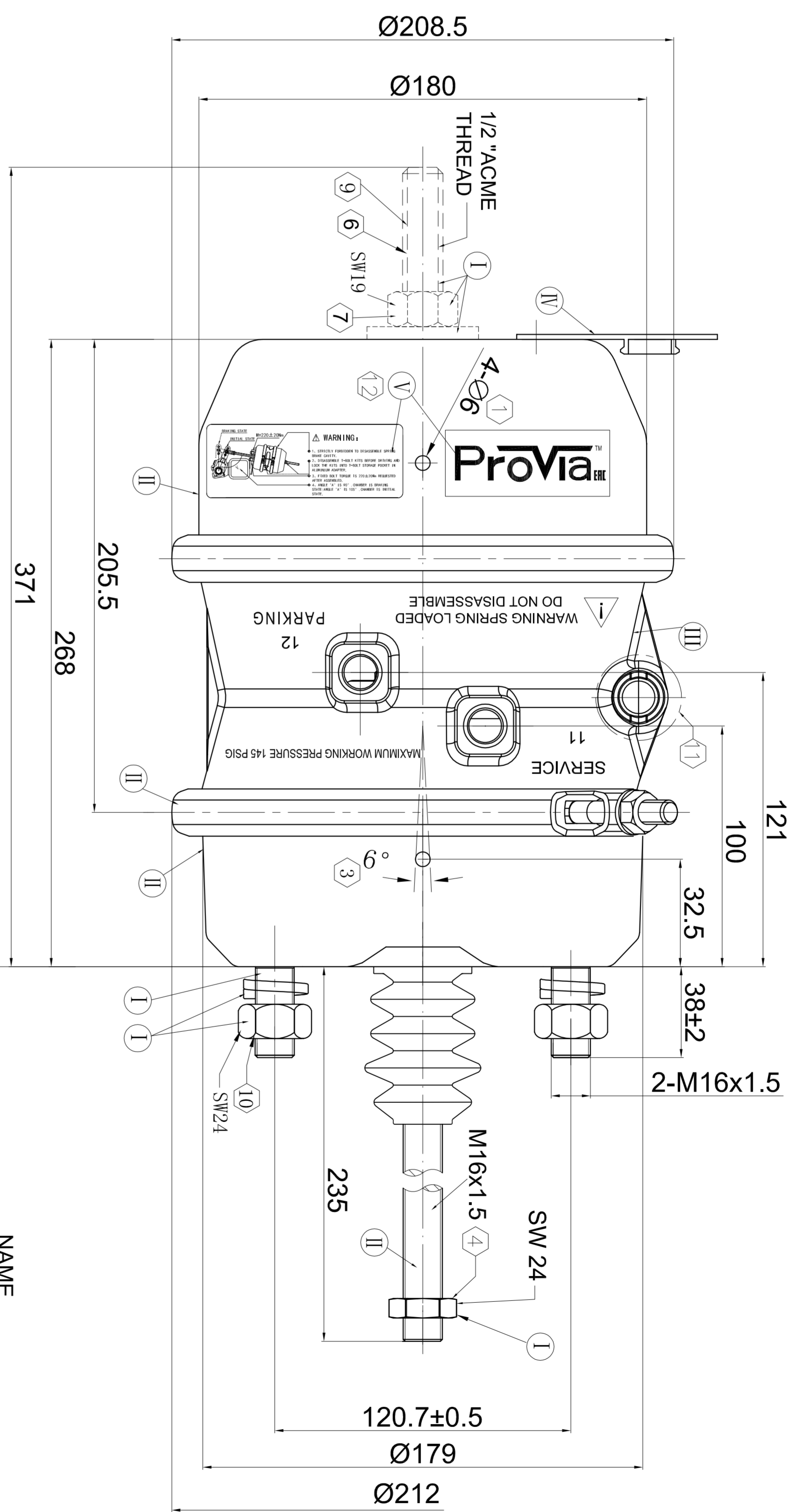
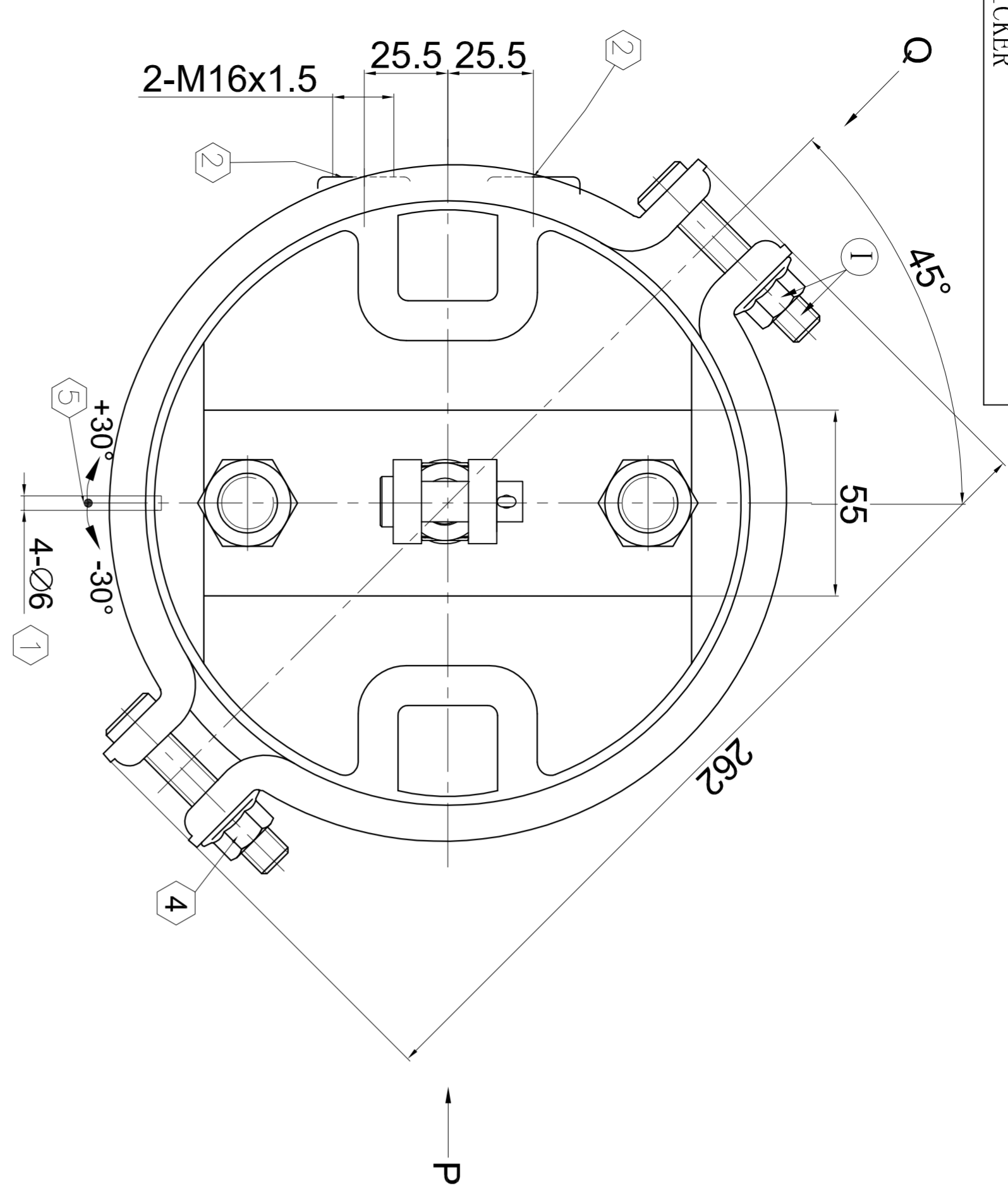
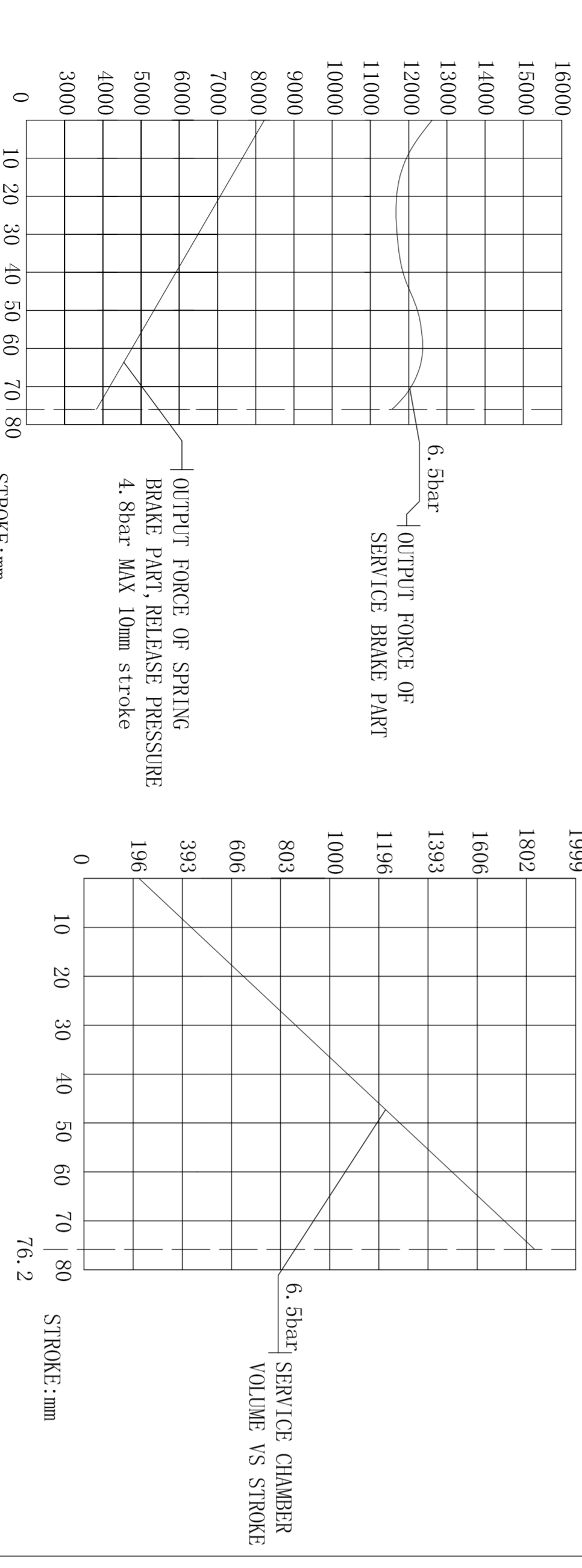
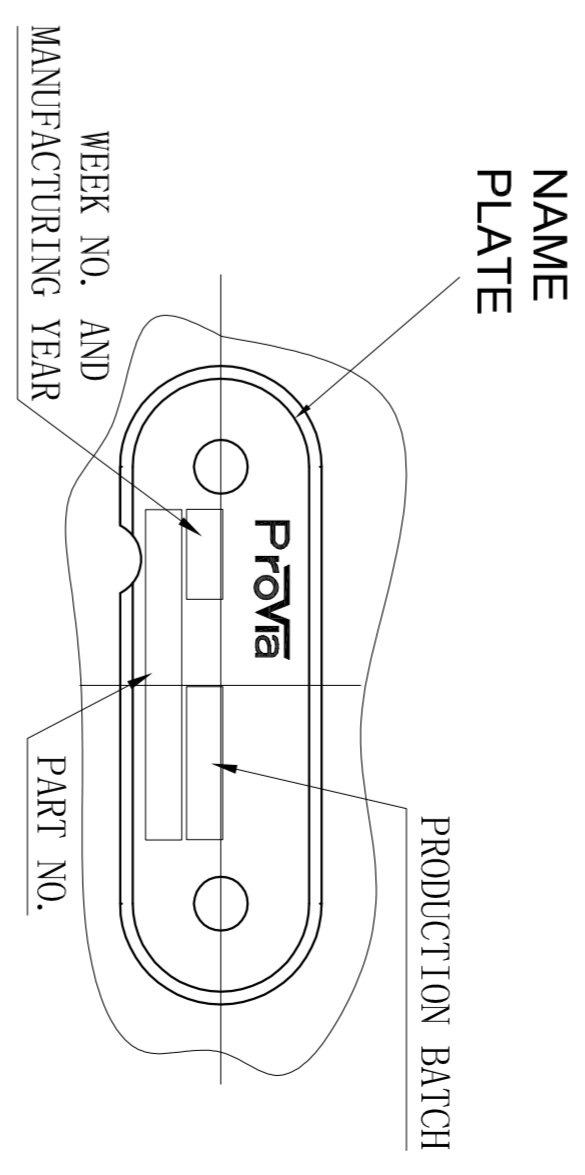


SURFACE PROTECTION	
I	ZINC PLATED WITH CR6+ FREE
II	ELECTRO-PAINTING
III	SURFACE OXIDIZATION
IV	HARD POLYETHYLENE
V	STICKER

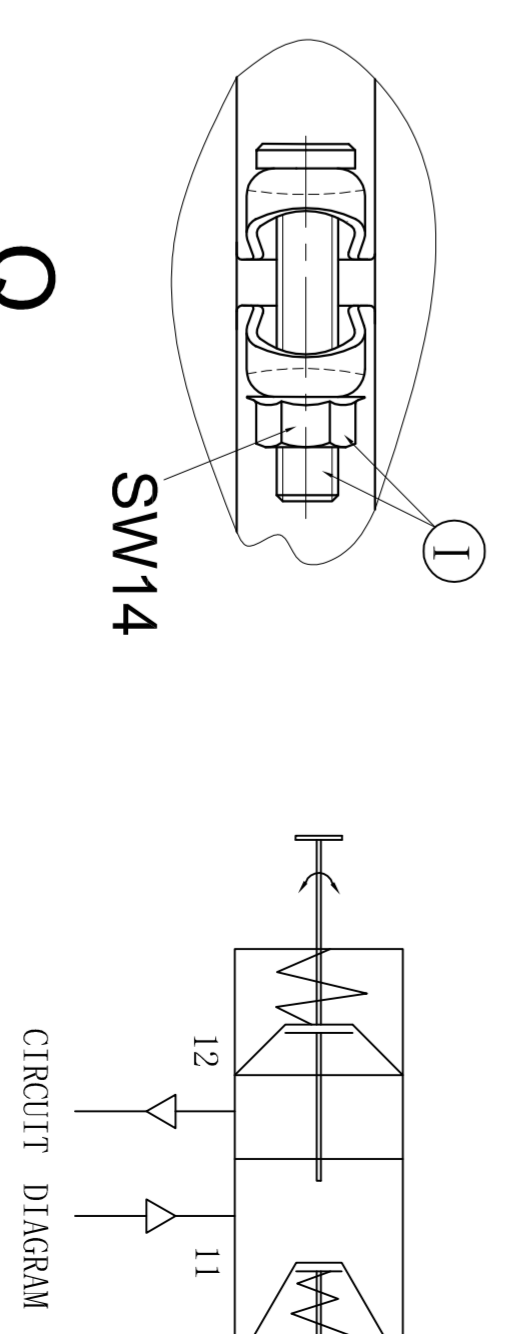


- ① OPEN BREATHER HOLE
- ② TORQUE: 34Nm MAX.
- ③ DEFLECTION: 6° MAX AT STROKE:0 mm
- ④ TORQUE: ≥25Nm
- ⑤ TO BE INSTALLED WITH THE BREATHER HOLE OPEN AT BOTTOM MOST POSITION
- ⑥ CONDITION AS SUPPLIED : SPRING BRAKE APPLIED
- ⑦ TORQUE:MAX 25Nm
- ⑧ ADMISSIBLE INSTALLATION POSITION
- ⑨ RELEASED POSITION
- ⑩ TORQUE: 220±20 Nm
- ⑪ FIXTURE OF RELEASE BOLT TORQUE: 22.5±2.5 Nm
- ⑫ DIRECTION:AS SHOWN IN THE PICTURE POSITION;IN THE MIDDLE OF THE TWO BREATHER HOLES, AND THE HORIZONTAL CENTER LINE OF STICKERS IS SAME AS THE BREATHER HOLES



TECHNICAL REQUIREMENT:

- 1.STROKE-PARKING CHAMBER:≥76.2mm
- 2.WORKING PRESSURE:APPLIED PRESSURE 8.5Bar; MAX WORKING PRESSURE:10Bar
- 3.WORKING TEMPERATURE:-40°C...+80°C (-40°F...+176°F);
- 4.THE DRAWING IS AT CAGED CONDITION.THE PARKING CHAMBER WILL BE AT UNCAGED CONDITION DURING SHIPMENT



This information is reproduced in its entirety, with the exception of the copyright notice, and is intended for use only in connection with the product described herein. It is not to be used for any other purpose without the express written consent of the manufacturer. The manufacturer shall not be held responsible for any damage or injury resulting from the use of this information. The manufacturer shall not be held responsible for any damage or injury resulting from the use of this information. The manufacturer shall not be held responsible for any damage or injury resulting from the use of this information.

GRAPHS FOR INFORMATION ONLY

General Specifications: 420-324-1, Size 100, 1400 LP		Drawing No.:	
Further Technical Data: PRO 000 013 0		Sheet 1 of 6	
Doc. Code(s):		Date: 2018-04-27	
General Tolerances: 420-324		Revision: 1	
Range of Nominal Dimensions (mm)		Drawing Code: 4	
Class	D1	< 30	> 30
Fine	0.5	1.0	1.5
Medium	1.0	2.0	3.0
Coarse	2.0	3.5	5.0
Tapped holes etc.		±3*	
D1 Tolerance class applied cross-hatched		A 1	
PRO 000 013 0		Scale: 1:1	
Date: 2018-04-27		Drawing Code: 4	
Author: [Name]		Checked: [Name]	
Drawn: [Name]		Approved: [Name]	
No. of copies: 005		Material: EN 1.1	
Drawing No.:		Scale: 1/1	
Date: 2018-04-27		Drawing Code: 4	
Author: [Name]		Checked: [Name]	
Drawn: [Name]		Approved: [Name]	
No. of copies: 005		Material: EN 1.1	
Drawing No.:		Scale: 1/1	
Date: 2018-04-27		Drawing Code: 4	
Author: [Name]		Checked: [Name]	
Drawn: [Name]		Approved: [Name]	
No. of copies: 005		Material: EN 1.1	
Drawing No.:		Scale: 1/1	
Date: 2018-04-27		Drawing Code: 4	
Author: [Name]		Checked: [Name]	
Drawn: [Name]		Approved: [Name]	
No. of copies: 005		Material: EN 1.1	
Drawing No.:		Scale: 1/1	
Date: 2018-04-27		Drawing Code: 4	
Author: [Name]		Checked: [Name]	
Drawn: [Name]		Approved: [Name]	
No. of copies: 005		Material: EN 1.1	
Drawing No.:		Scale: 1/1	
Date: 2018-04-27		Drawing Code: 4	
Author: [Name]		Checked: [Name]	
Drawn: [Name]		Approved: [Name]	
No. of copies: 005		Material: EN 1.1	
Drawing No.:		Scale: 1/1	
Date: 2018-04-27		Drawing Code: 4	
Author: [Name]		Checked: [Name]	
Drawn: [Name]		Approved: [Name]	
No. of copies: 005		Material: EN 1.1	
Drawing No.:		Scale: 1/1	
Date: 2018-04-27		Drawing Code: 4	
Author: [Name]		Checked: [Name]	
Drawn: [Name]		Approved: [Name]	
No. of copies: 005		Material: EN 1.1	
Drawing No.:		Scale: 1/1	
Date: 2018-04-27		Drawing Code: 4	
Author: [Name]		Checked: [Name]	
Drawn: [Name]		Approved: [Name]	
No. of copies: 005		Material: EN 1.1	
Drawing No.:		Scale: 1/1	
Date: 2018-04-27		Drawing Code: 4	
Author: [Name]		Checked: [Name]	
Drawn: [Name]		Approved: [Name]	
No. of copies: 005		Material: EN 1.1	
Drawing No.:		Scale: 1/1	
Date: 2018-04-27		Drawing Code: 4	
Author: [Name]		Checked: [Name]	
Drawn: [Name]		Approved: [Name]	
No. of copies: 005		Material: EN 1.1	
Drawing No.:		Scale: 1/1	
Date: 2018-04-27		Drawing Code: 4	
Author: [Name]		Checked: [Name]	
Drawn: [Name]		Approved: [Name]	
No. of copies: 005		Material: EN 1.1	
Drawing No.:		Scale: 1/1	
Date: 2018-04-27		Drawing Code: 4	
Author: [Name]		Checked: [Name]	
Drawn: [Name]		Approved: [Name]	
No. of copies: 005		Material: EN 1.1	
Drawing No.:		Scale: 1/1	
Date: 2018-04-27		Drawing Code: 4	
Author: [Name]		Checked: [Name]	
Drawn: [Name]		Approved: [Name]	
No. of copies: 005		Material: EN 1.1	
Drawing No.:		Scale: 1/1	
Date: 2018-04-27		Drawing Code: 4	
Author: [Name]		Checked: [Name]	
Drawn: [Name]		Approved: [Name]	
No. of copies: 005		Material: EN 1.1	
Drawing No.:		Scale: 1/1	
Date: 2018-04-27		Drawing Code: 4	
Author: [Name]		Checked: [Name]	
Drawn: [Name]		Approved: [Name]	
No. of copies: 005		Material: EN 1.1	
Drawing No.:		Scale: 1/1	
Date: 2018-04-27		Drawing Code: 4	
Author: [Name]		Checked: [Name]	
Drawn: [Name]		Approved: [Name]	
No. of copies: 005		Material: EN 1.1	
Drawing No.:		Scale: 1/1	
Date: 2018-04-27		Drawing Code: 4	
Author: [Name]		Checked: [Name]	
Drawn: [Name]		Approved: [Name]	
No. of copies: 005		Material: EN 1.1	
Drawing No.:		Scale: 1/1	
Date: 2018-04-27		Drawing Code: 4	
Author: [Name]		Checked: [Name]	
Drawn: [Name]		Approved: [Name]	
No. of copies: 005		Material: EN 1.1	
Drawing No.:		Scale: 1/1	
Date: 2018-04-27		Drawing Code: 4	
Author: [Name]		Checked: [Name]	
Drawn: [Name]		Approved: [Name]	
No. of copies: 005		Material: EN 1.1	
Drawing No.:		Scale: 1/1	
Date: 2018-04-27		Drawing Code: 4	
Author: [Name]		Checked: [Name]	
Drawn: [Name]		Approved: [Name]	
No. of copies: 005		Material: EN 1.1	
Drawing No.:		Scale: 1/1	
Date: 2018-04-27		Drawing Code: 4	
Author: [Name]		Checked: [Name]	
Drawn: [Name]		Approved: [Name]	
No. of copies: 005		Material: EN 1.1	
Drawing No.:		Scale: 1/1	
Date: 2018-04-27		Drawing Code: 4	
Author: [Name]		Checked: [Name]	
Drawn: [Name]		Approved: [Name]	
No. of copies: 005		Material: EN 1.1	
Drawing No.:		Scale: 1/1	
Date: 2018-04-27		Drawing Code: 4	
Author: [Name]		Checked: [Name]	
Drawn: [Name]		Approved: [Name]	
No. of copies: 005		Material: EN 1.1	
Drawing No.:		Scale: 1/1	
Date: 2018-04-27		Drawing Code: 4	
Author: [Name]		Checked: [Name]	
Drawn: [Name]		Approved: [Name]	
No. of copies: 005		Material: EN 1.1	
Drawing No.:		Scale: 1/1	
Date: 2018-04-27		Drawing Code: 4	
Author: [Name]		Checked: [Name]	
Drawn: [Name]		Approved: [Name]	
No. of copies: 005		Material: EN 1.1	
Drawing No.:		Scale: 1/1	
Date: 2018-04-27		Drawing Code: 4	
Author: [Name]		Checked: [Name]	
Drawn: [Name]		Approved: [Name]	
No. of copies: 005		Material: EN 1.1	
Drawing No.:		Scale: 1/1	
Date: 2018-04-27		Drawing Code: 4	
Author: [Name]		Checked: [Name]	
Drawn: [Name]		Approved: [Name]	
No. of copies: 005		Material: EN 1.1	
Drawing No.:		Scale: 1/1	
Date: 2018-04-27		Drawing Code: 4	
Author: [Name]		Checked: [Name]	
Drawn: [Name]		Approved: [Name]	
No. of copies: 005		Material: EN 1.1	
Drawing No.:		Scale: 1/1	
Date: 2018-04-27		Drawing Code: 4	
Author: [Name]		Checked: [Name]	
Drawn: [Name]		Approved: [Name]	
No. of copies: 005		Material: EN 1.1	
Drawing No.:		Scale: 1/1	
Date: 2018-04-27		Drawing Code: 4	
Author: [Name]		Checked: [Name]	
Drawn: [Name]		Approved: [Name]	
No. of copies: 005		Material: EN 1.1	
Drawing No.:		Scale: 1/1	
Date: 2018-04-27		Drawing Code: 4	
Author: [Name]		Checked: [Name]	
Drawn: [Name]		Approved: [Name]	
No. of copies: 005		Material: EN 1.1	
Drawing No.:		Scale: 1/1	
Date: 2018-04-27		Drawing Code: 4	
Author: [Name]		Checked: [Name]	
Drawn: [Name]		Approved: [Name]	
No. of copies: 005		Material: EN 1.1	
Drawing No.:		Scale: 1/1	
Date: 2018-04-27		Drawing Code: 4	
Author: [Name]		Checked: [Name]	
Drawn: [Name]		Approved: [Name]	
No. of copies: 005		Material: EN 1.1	
Drawing No.:		Scale: 1/1	
Date: 2018-04-27		Drawing Code: 4	
Author: [Name]		Checked: [Name]	
Drawn: [Name]		Approved: [Name]	
No. of copies: 005		Material: EN 1.1	
Drawing No.:		Scale: 1/1	
Date: 2018-04-27		Drawing Code: 4	
Author: [Name]		Checked: [Name]	
Drawn: [Name]		Approved: [Name]	
No. of copies: 005		Material: EN 1.1	
Drawing No.:		Scale: 1/1	
Date: 2018-04-27		Drawing Code: 4	
Author: [Name]		Checked: [Name]	
Drawn: [Name]		Approved: [Name]	
No. of copies: 005		Material: EN 1.1	
Drawing No.:		Scale: 1/1	
Date: 2018-04-27		Drawing Code: 4	
Author: [Name]		Checked: [Name]	
Drawn: [Name]		Approved: [Name]	
No. of copies: 005		Material: EN 1.1	
Drawing No.:		Scale: 1/1	
Date: 2018-04-27		Drawing Code: 4	
Author: [Name]		Checked: [Name]	
Drawn: [Name]		Approved: [Name]	
No. of copies: 005		Material: EN 1.1	
Drawing No.:		Scale: 1/1	
Date: 2018-04-27		Drawing Code: 4	
Author: [Name]		Checked: [Name]	
Drawn: [Name]		Approved: [Name]	
No. of copies: 005		Material: EN 1.1	
Drawing No.:		Scale: 1/1	
Date: 2018-04-27		Drawing Code: 4	
Author: [Name]		Checked: [Name]	
Drawn: [Name]		Approved: [Name]	
No. of copies: 005		Material: EN 1.1	
Drawing No.:		Scale: 1/1	
Date: 2018-04-27		Drawing Code: 4	
Author: [Name]		Checked: [Name]	
Drawn: [Name]		Approved: [Name]	
No. of copies: 005		Material: EN 1.1	
Drawing No.:		Scale: 1/1	
Date: 2018-04-27		Drawing Code: 4	
Author: [Name]		Checked: [Name]	
Drawn: [Name]		Approved: [Name]	
No. of copies: 005		Material: EN 1.1	
Drawing No.:		Scale: 1/1	
Date: 2018-04-27		Drawing Code: 4	
Author: [Name]		Checked: [Name]	
Drawn: [Name]		Approved: [Name]	
No. of copies: 005		Material: EN 1.1	
Drawing No.:		Scale: 1/1	
Date: 2018-04-27		Drawing Code: 4	
Author: [Name]		Checked: [Name]	
Drawn: [Name]		Approved: [Name]	
No. of copies: 005		Material: EN 1.1	
Drawing No.:		Scale: 1/1	
Date: 2018-04-27		Drawing Code: 4	
Author: [Name]		Checked: [Name]	
Drawn: [Name]		Approved: [Name]	
No. of copies: 005		Material: EN 1.1	
Drawing No.:		Scale: 1/1	
Date: 2018-04-27		Drawing Code: 4	
Author: [Name]		Checked: [Name]	
Drawn: [Name]		Approved: [Name]	
No. of copies: 005		Material: EN 1.1	
Drawing No.:		Scale: 1/1	
Date: 2018-04-27		Drawing Code: 4	
Author: [Name]		Checked: [Name]	
Drawn: [Name]		Approved: [Name]	
No. of copies: 005		Material: EN 1.1	
Drawing No.:		Scale: 1/1	
Date: 2018-04-27		Drawing Code: 4	
Author: [Name]		Checked: [Name]	
Drawn: [Name]		Approved: [Name]	
No. of copies: 005		Material: EN 1.1	
Drawing No.:		Scale: 1/1	
Date: 2018-04-27		Drawing Code: 4	
Author: [Name]		Checked: [Name]	
Drawn: [Name]		Approved: [Name]	
No. of copies: 005		Material: EN 1.1	
Drawing No.:		Scale: 1/1	
Date: 2018-04-27		Drawing Code: 4	
Author: [Name]		Checked: [Name]	
Drawn: [Name]		Approved: [Name]	
No. of copies: 005		Material: EN 1.1	
Drawing No.:		Scale: 1/1	
Date: 2018-04-27		Drawing Code: 4	
Author: [Name]		Checked: [Name]	
Drawn: [Name]		Approved: [Name]	
No. of copies: 005		Material: EN 1.1	
Drawing No.:		Scale: 1/1	
Date: 2018-04-27		Drawing Code: 4	
Author: [Name]		Checked: [Name]	
Drawn: [Name]		Approved: [Name]	
No. of copies: 005		Material: EN 1.1	
Drawing No.:		Scale: 1/1	
Date: 2018-04-27		Drawing Code: 4	
Author: [Name]		Checked: [Name]	
Drawn: [Name]		Approved: [Name]	
No. of copies: 005		Material: EN 1.1	
Drawing No.:		Scale: 1/1	
Date: 2018-04-27		Drawing Code: 4	
Author: [Name]		Checked: [Name]	
Drawn: [Name]		Approved: [Name]	
No. of copies: 005		Material: EN 1.1	
Drawing No.:		Scale: 1/1	
Date: 2018-04-27		Drawing Code: 4	
Author: [Name]		Checked: [Name]	
Drawn: [Name]		Approved: [Name]	
No. of copies: 005		Material: EN 1.1	
Drawing No.:		Scale: 1/1	
Date: 2018-04-27		Drawing Code: 4	
Author: [Name]		Checked:	