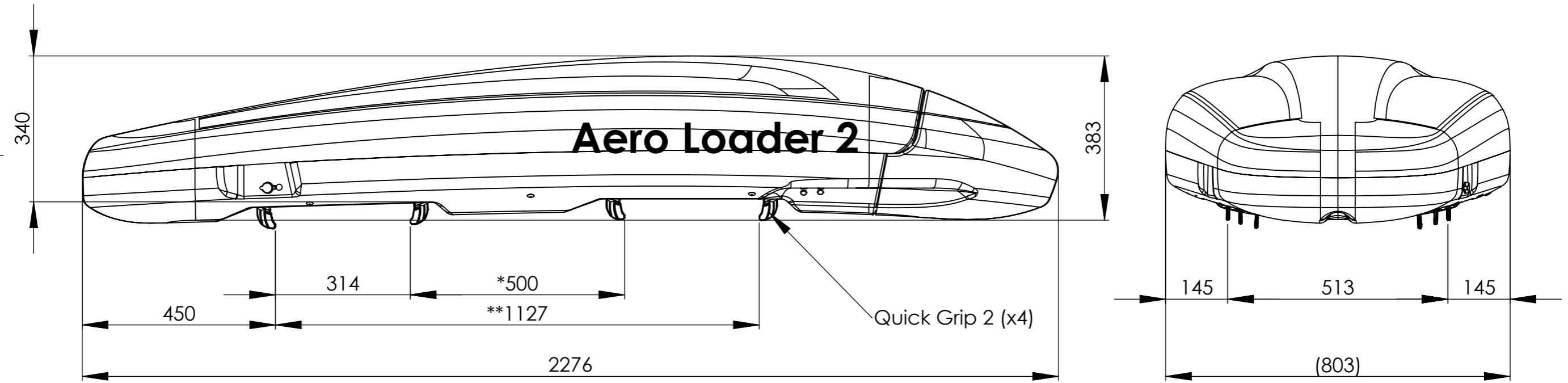


This document must not be copied, without our written permission, and the contents thereof must not be imparted to a third party, nor be used for any unauthorized purpose. Contravention will be prosecuted.

Den här handlingen får ej utan vårt medgivande kopieras. Den får ej heller delges annan eller eljest obehörigen användas. Överträdelse härav beivras med stöd av gällande lag.

REVISIONS						
REV	CREATED DATE	CREATED BY	REVISION NOTE	ECN	APPR. BY	APPR. DATE



Note: * Min distance between roof rails
 ** Max distance between roof rails
 *** Dimensions with Quick Grip 2

Project No	Material	Surface Treatment		Surface Finish	Mass	Mass tol.
Tolerance	(Where nothing else is given)	Designed affrka	Approved frka	Created Date 2024-02-21	Approved Date 2024-02-21	State Approved
 Dimensions in mm		autoform		Description OVERVIEW PLACEMENT FOR ROOF RAILS AERO LOADER 2		Scale 1:10
				Draw.no 00091524	Rev. -	Size A3 Sheet 1/1