



Pneumatic
Brake bleeder

K 9875



SAFETY AND PRECAUTION

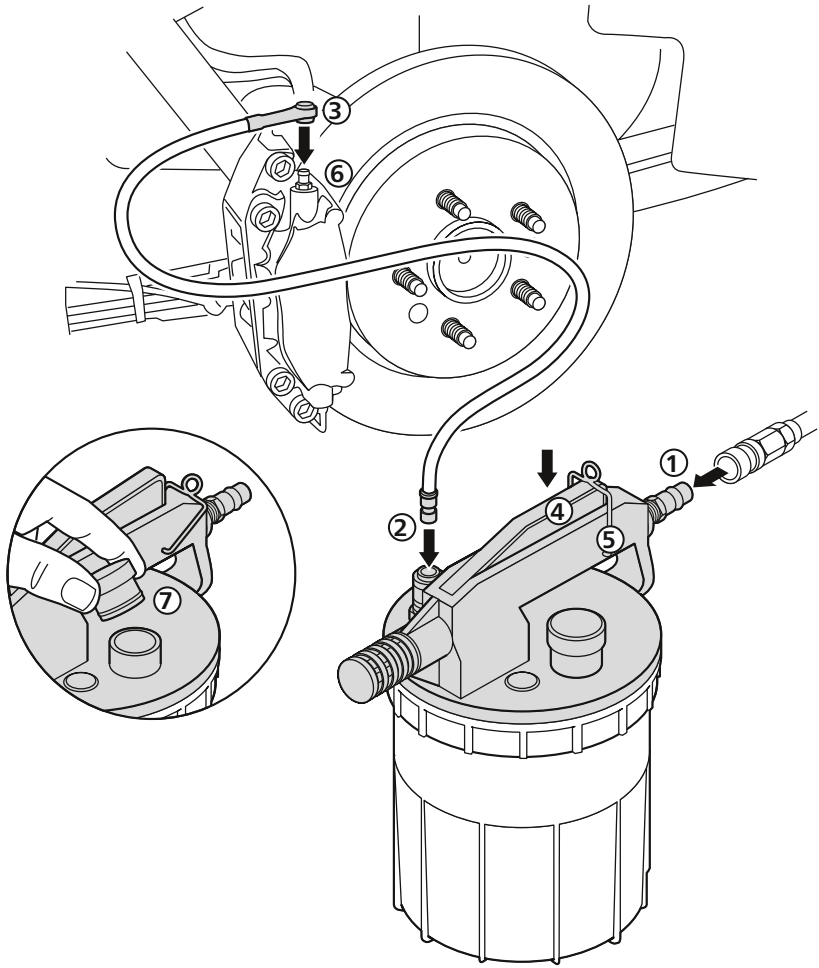
- 1 Always follow instructions provided by the vehicle manufacturer regarding handling and safety measures.
- 2 Most brake fluids are aggressive, wear eye protection, avoid skin contact and contact with painted surfaces.

PRODUCT SPECIFICATIONS

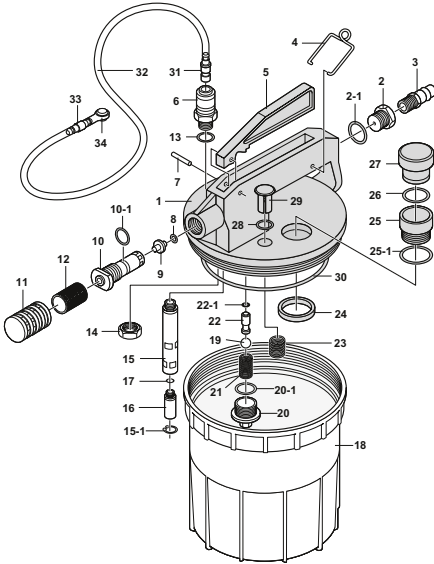
Air inlet	1/4"
Ave. air consumption	57 lit/m
Working pressure	3–12 bar
Temperature range	-20 to 60 C°
Max volume capacity	2 lit

OPERATION INSTRUCTIONS

- 1 Make sure the brake fluid reservoir on the car is well filled before starting the bleeding process. Remember to leave the reservoir open during bleeding. **Note:** An automatic filler bottle, K 8776, is available. This tool can facilitate the work considerably.
- 2 Connect the air hose to the air inlet nipple (1).
- 3 Connect the bleeder hose to brake fluid extractor and the bleeder nipple on the brake caliper (2) and (3)
- 4 Start the bleeding by squeezing the handle (4) and locking it with the jumper (5).
- 5 By opening the nipple(6) on the brake caliper, brake fluid/ air will now be sucked out from the hydraulic brake system.
- 6 When the bleeder hose is filled with fluid that doesn't contain air bubbles, the bleeding is sufficient.
- 7 Shut the bleeding nipple and release the handle on the bleeder.
- 8 To empty the bleeder, pull out the draining plug (7) and pour out the fluid. Make sure the brake fluid is disposed in safe way.
- 9 Check the level of brake fluid and put the cap back on the reservoir.



PARTS LIST



Pos.	Parts No.	Description
1		Cover housing
2		Inlet nut
2-1		O-ring
3		Air inlet coupler
4		Fixing ring
5		Trigger
6		Fluid inlet coupler
7		Pin
8	K 9877	O-ring
9		Vacuum valve
10		Vacuum body
10-1		O-ring
11		Noise-reduction cover
12		Noise-reduction net
13		O-ring
14		Lock nut
15		Safety valve
15-1		C locker
16		Safety cup
17		O-ring

Pos.	Parts No.	Description
18		Tank
19	K 9878	Steel ball
20		Locking screw
20-1		O-ring
21		Spring
22		Valve
22-1		O-ring
23		Spring
24		Lock nut
25		Oil outlet housing
25-1		O-ring
26		O-ring
27		Oil outlet cover
28		O-ring
29		Safe valve
30		O-ring
31	K 9879	Coupler
32		Silicon house
33		Adapter
34		Brake coupler

K 9875

www.kamasatools.com