

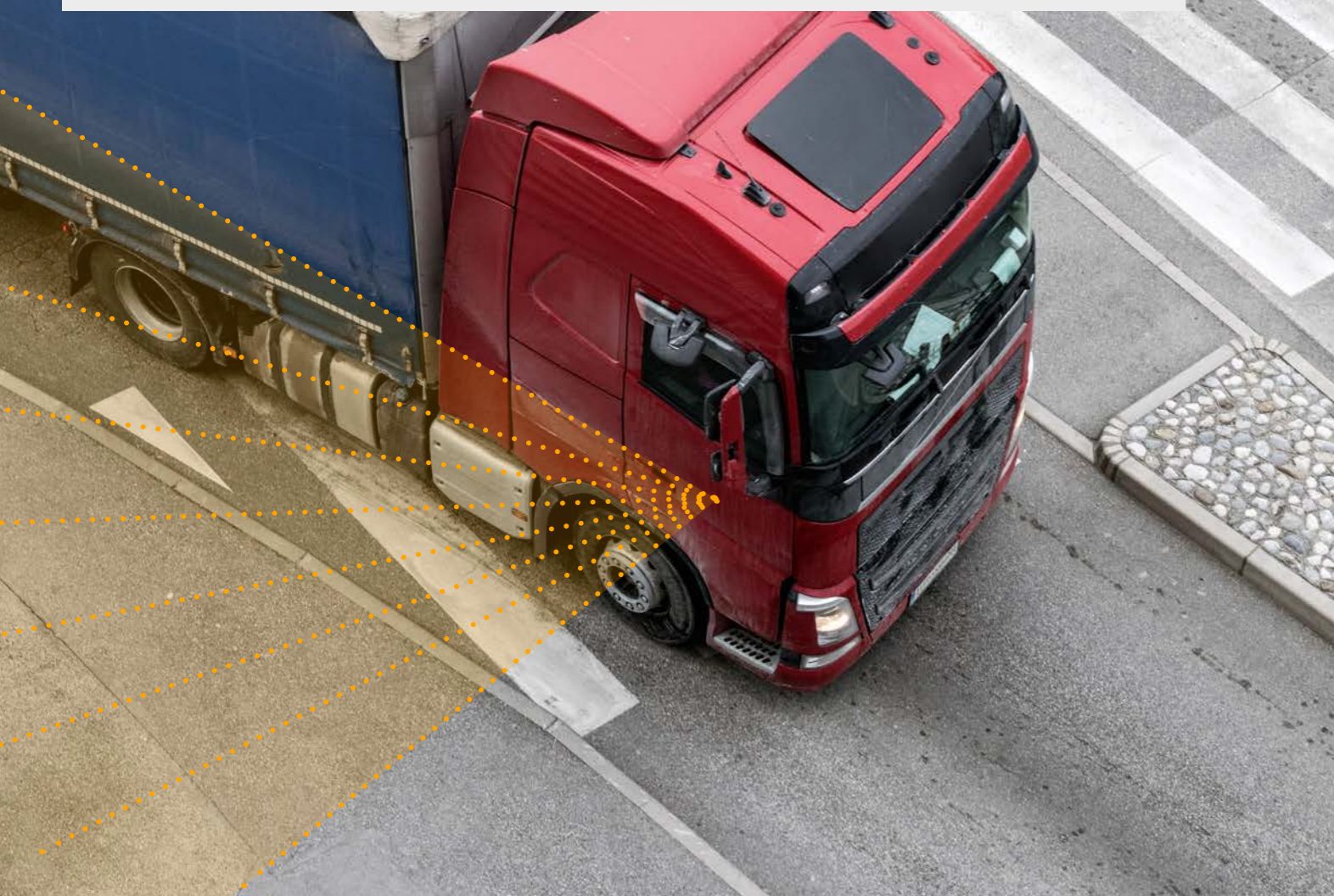
Quality on tour: Better safety for everyone with a single product.

The benefits at a glance:

- › Practical retrofit solution
- › Simple installation
- › Automatic detection of turn situations
- › Camera monitor system unnecessary thanks to VRU* software
- › Dual signal system: visual and acoustic
- › Flawless operation by day and by night

**RightViu® contributes to greater safety. For drivers. For vulnerable road users.
For fleet managers. For everyone.**

* Vulnerable Road User.



Continental Aftermarket & Services GmbH

Sodener Strasse 9
65824 Schwalbach
Germany
T. +49 69 7603-0
www.continental-rightviu.com

Legal notice

The information in this brochure contains only general technical descriptions or performance features, the application of which may depend on other factors. It is not meant or intended to be a special guarantee for a particular quality or particular durability. The desired performance features are only binding if they are explicitly agreed upon when the contract is concluded. We reserve the right to make changes in availability as well as technical changes.



Safe turning with RightViu®.

Turns put stress on drivers: Now there is a way to help them see.

Trucks are everywhere on our streets and roads, and other road users have to keep their eyes on them. For pedestrians and cyclists, trucks can be a significant hazard. When a truck turns at a corner, they can easily get caught in its blind spot, putting them at serious risk. These are risky situations for the driver as well – and a source of frequent stress.

Accident scenarios of this kind can be prevented with turn assist systems.

A number of European countries have already launched campaigns to increase road safety and are promoting the retrofitting of turn assist systems.

Accident-free driving is a goal that concerns everyone. Turn assist systems will be mandatory in new vehicle models starting in 2022 and in newly licensed vehicles starting in 2024.

Radar technology from automobile production, supplemented by application-specific software (VRU: Vulnerable Road User).



Greater safety for vulnerable road Users

This is a topic of big importance to society, and lawmakers are paying increasing attention to it. Continental offers a tailor-made answer.

Our mission is to provide solutions that perfectly meet the needs of our customers. Turning maneuvers by drivers with a restricted view of traffic are the most frequent cause of road accidents, so it is important to minimize this risk.

Continental offers state-of-the-art technology, top quality, and a broad range of products. Its extensive experience provides the foundation for a future mobility with zero accidents. Our turn assist system detects people and objects at the side of the vehicle, where the risk of injuries from turning accidents is greatest.

The benefits for you:

- › Continental's vast knowledge and experience brought together in a product designed to handle specific situations: RightViu®
- › Eligibility for funding from some European governments
- › With official approval and homologation for road service

A safety system with high accuracy: Proven technology in OEM quality.

RightViu® is fixed at a height of at least 2 meters on the vehicle or the rear mirror and assists drivers in turning maneuvers. The system uses a radar sensor to detect whether a person or object is in the vehicle's danger zone and warns the driver of a possible collision by means of two different warning signals.

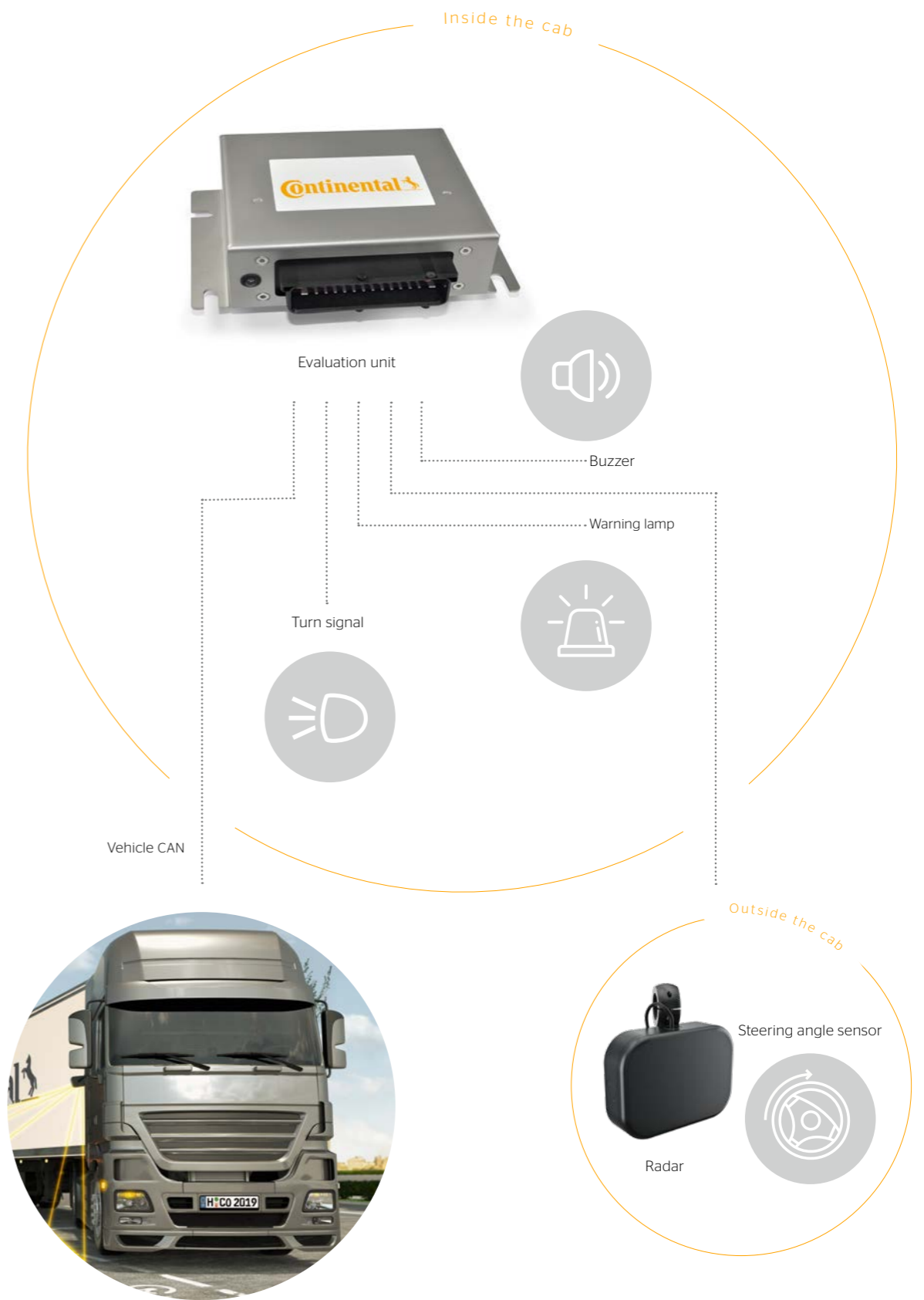
RightViu® extends the driver's field of view by 4 m to the right and 14 m to the rear. With its radar-based technology and VRU software, it is also able to detect moving objects.

Thanks to the VRU software, the human machine interface can be simplified, making an additional display unnecessary. Instead, a dual signal system comprising a light and a buzzer enables the driver to take quick action when an emergency arises.

The advantages at a glance:

- › OE quality for retrofitting
- › Radar with object detection
- › Acoustic and visual warnings
- › Adaptability to all vehicle classes and types

Overview of Continental's turn assist system.



Our retrofitting solution: For a future with zero accidents.



Simple. Fast. Reliable. Thanks to its flexible, modular system, RightViu® can be quickly adapted to any vehicle model. Retrofitting is possible with a short or long arm, as required.



Safety? Retrofitting is easy.

RightViu® can be retrofitted to vehicles of all kinds - short or long, light or heavy **(trucks, buses, dump trucks, garbage trucks, silo vehicles).**



Switching trailers is easy because RightViu® is installed in the tractor vehicle. No maintenance is required after installation. The system is capable of self-diagnosis and transmission the results.



Calibration and start-up are performed by specialist workshops. Continental provides the necessary workshop training and is ready to give you advice at any time.



1 Placement
The radar is mounted on the mirror arm at a height of at least 2 meters.



2 Cabling
The cables are routed through the door into the cab.



3 Installation of the warning system
The buzzer and lamp are mounted on the A-pillar.



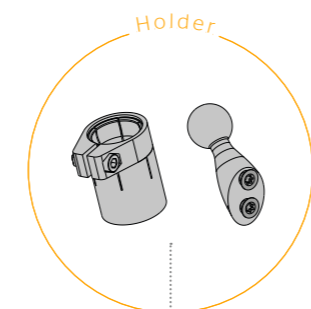
4 Calibration
The system is calibrated before it is put into use.

Application:
Retrofitting has never been
so easy.

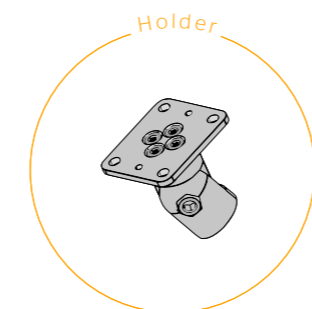
Mounting

Mounting version 1
Kit number: 2801602025301

A Direct fixation



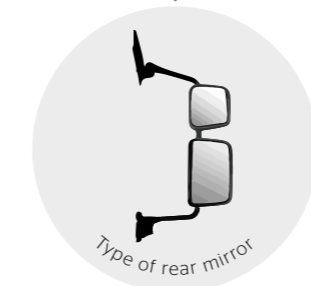
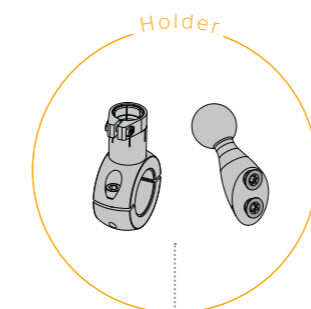
B Tilt joint bracket



Installation depending on the type of rear mirror.

Mounting version 2
Kit number: 2801602026301

C Bracket clamp



Partner dealers of Continental Aftermarket & Services GmbH:

Australia and Pacific Area
Continental Pty. Ltd.

2 Scholar Drive · 3083 Bundoora VIC
Tel. +61 3 94681151
enquiries.au@continental-corporation.com

Austria and Eastern Europe
Continental Automotive Trading Österreich Ges.m.b.H.

Flachgasse 54-58 · 1150 Wien
Tel. +43 1 98127-44
automotive.at@continental-corporation.com

India
Continental Automotive Components (India) Private Ltd.

Number 53B, Bommasandra Industrial Area · 560099 Bangalore
Tel. +91 80 66791100-8823
umesh.kothari@continental-corporation.com

Italy
Continental Automotive Trading s.r.l.

Via Matteotti 62 · 20092 Cinisello Balsamo (MI)
Tel. +39 02 35680-1
info.consumatori@continental-corporation.com

South Korea
Continental Automotive Korea Ltd.

7F Solid Space Bldg 220, Pangyoyeok-ro, Bundang-gu, Seongnam-si,
Gyeonggi-do, Korea · 137 789 Seoul
Tel. +82 31 6973823
jaebum.kim@continental-corporation.com

Benelux
Continental Automotive Trading Nederland B.V.

Het Schakelplein 22 · 5651 GR Eindhoven
Tel. +31 0 403023-500
nl@vdo.com

Singapore and Pacific
Continental Automotive Singapore Pte. Ltd.

Continental Building, 80 Boon Keng Road · 339780 Singapore
Tel. +65 65 800-702
VDO-APAC@continental-corporation.com

Spain
Continental Automotive Spain S.A.

Calle Sepulveda 11 · 28108 Alcobendas (Madrid)
Tel. +34 91 657-2121
info@vdo.es

United Kingdom and Ireland
Continental Automotive Trading UK LTD.

36 Gravelly Industrial Park · B24 8TA Birmingham
Tel. +44 12 17251-234
uk@vdo.com

USA and NAFTA
Continental Automotive Systems US, Inc.

6755 Snowdrift Road · 18106 Allentown, PA
Tel. +1 610 2890-488
AU_AT_SM_SalesSupport-US@continental.com

Brasil and Mercosur
Continental Brasil Industria Automotiva Ltda.

Av. Senador Adolf Schindling 155 · 07042-020 Guarulhos, SP
Tel. +55 11 08007700-107
info@vdo.com.br

Quality and safety? Beyond what is required.

**Do your part to make our roads
accident-free. Contact us.**

We'll be glad to give you personal advice.

+49 69 76031203
info@continental-rightviu.com

China incl. Hongkong
Continental Automotive Holding Co., Ltd.

538 Dalian Road · 200082 Shanghai
Tel. +86 21 60804753
zhongchen.chen@continental-corporation.com

France and Northern Africa
Continental Trading France SAS

1 rue de Clairefontaine · 78512 Rambouillet Cedex
contact@vdo.fr

HQ and Germany
Continental Aftermarket & Services GmbH

Sodener Strasse 9 · 65824 Schwalbach
Tel. +49 69 7603-1203