

TOR  **MARINE**

KGK

Marknadsförs av KG Knutsson AB

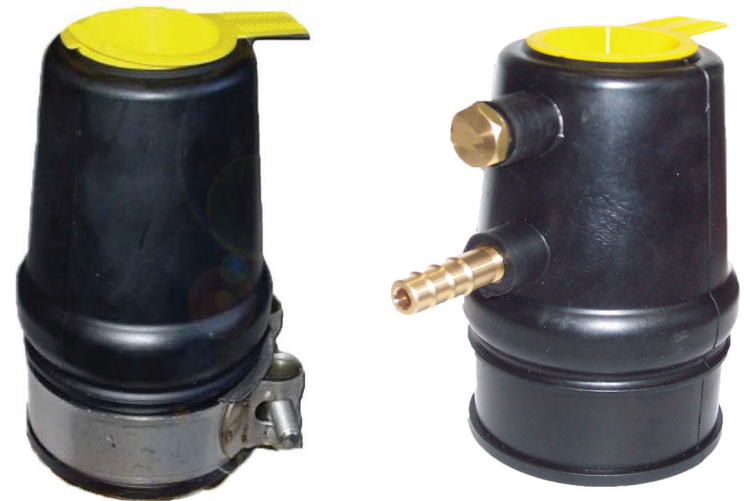
191 81 Sollentuna

Tel. 08-92 32 22

maringruppen@kgk.se

www.marinkatalogen.se

**INSTRUCTION
MANUAL
STUFFY BOX**



STUFFY BOX



STUFFY BOX



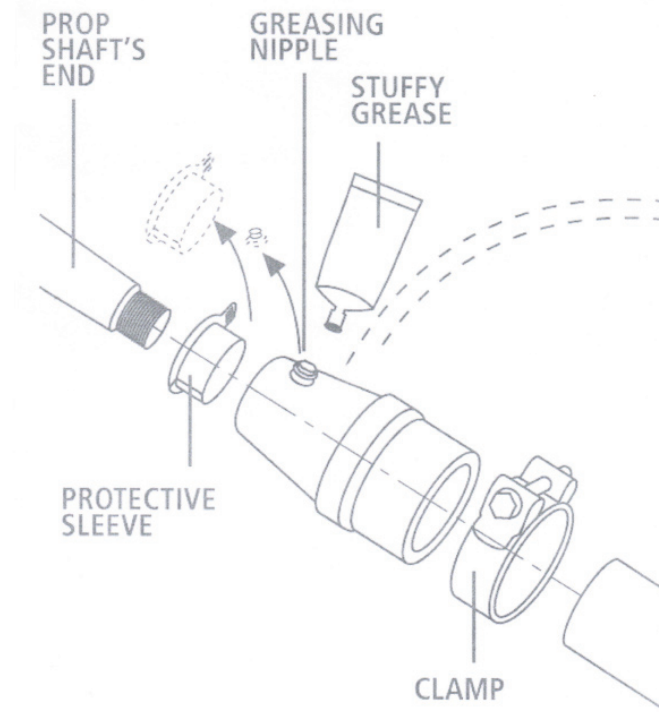
1. Components stuffy box

Lo stuffy box is composed by the following components:

QTY	COMPONENT
1	Clamp
1	Yellow cap
1	Tube of grease with a spout

WARNING: Remove the yellow cap after installation by sliding the cut. This cap is only a guide. If not removed at the time of launching the boat may get filled with water.

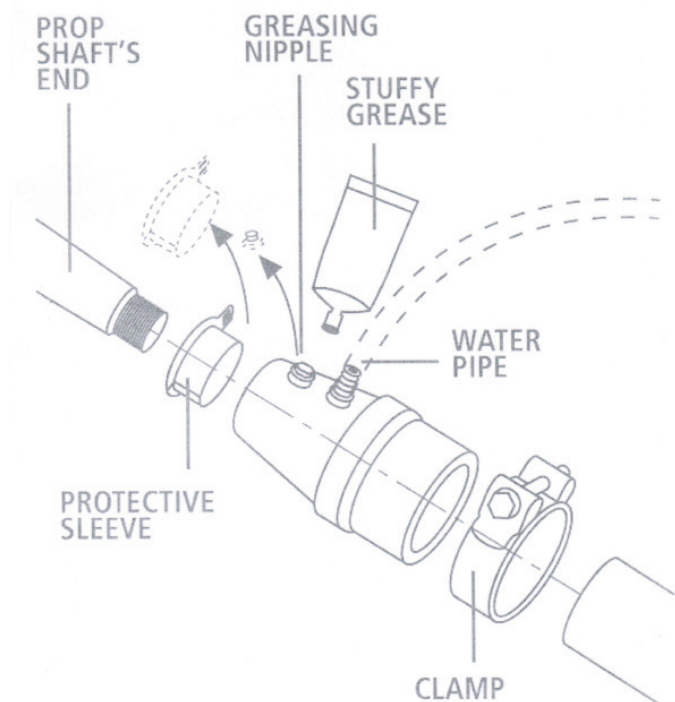
Before installing stuffy box the water inlets of the sterntube must be free. When engine is running, the water must reach the stuffy box in order to lubricate it. The stuffy box must be mounted below waterline. The minimum length of the part of sterntube where the stuffy box will be placed, must be at least 38 mm.



WARNING: This stuffy box does not present the water pipe; for an ideal lubrication recommend integrate our adapter for stuffy box.



STUFFY BOX EVO



2. Instructions for use

Note: The stuffy box must be mounted inside the boat, while an external shaft's strut must be mounted on the outside.

1. Check that the part of rotating inside the stuffy box provides neither burrs nor scratches.
2. If there are burrs or imperfections on the shaft's end, the stuffy box lips may get damaged during installation.
3. The part of the tubing where the stuffy box will be mounted must be carefully cleaned (the surface needs to be absolutely grease free).
4. Connect the propeller shaft to engine and make sure that it is properly centred into the sterntube.
5. Press the stuffy box into the shaft, fix it to the sterntube and then tighten the clamp.
6. Remove the protective sleeve from the shaft by splitting it (yellow cap).
7. Insert into stuffy box the stuffy grease (stuffy grease 25 ml) included into the kit.

3. Warnings

1. After launching the boat, press a few times the stuffy box against the shaft to enable "the water lubrication of the seal".
2. Stuffy box should be greased once a year or after every 200 working hours.
3. Stuffy box should be replaced at least every 4 years or after 500 working hours.