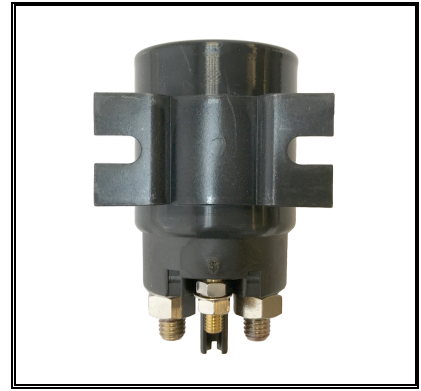


TECHNICAL DATA SHEET

ECE604

Unipolar Power Relay

24VDC / 200A



GENERAL CHARACTERISTICS

Protection degree: IP65
 Weight: 0.70 Kg approx.
 Contacts: copper coated

FIELDS OF APPLICATION

Markets: industrial vehicles, handling vehicles, pleasure navy, industry...
 Particular applications: starting relay, preheating, motor control, power circuit...

CONTROL CIRCUIT

Connection: M5 terminals
 Tightening torque M5: 3.2 / 3.5 N.m
 Holding power: < 15 W
 Interlocking tension: > 16 VDC
 Disengaging tension: < 9 VDC

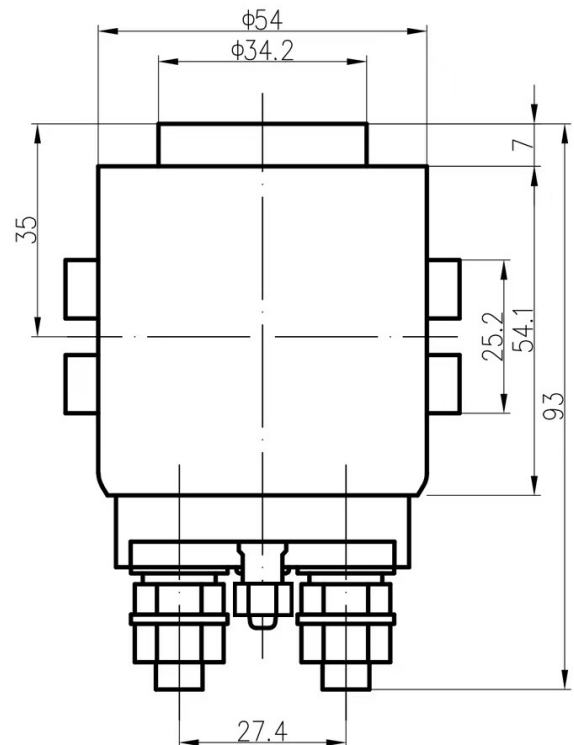
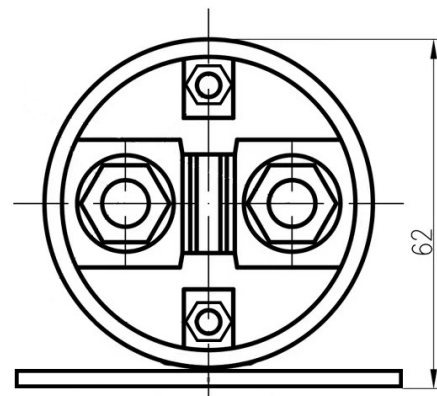
POWER CIRCUIT

Connection by M8 terminals
 Tightening torque: 12 /13 N.m
 Type: normally opened unipolar
 Nominal intensity: 200 A
 Capacity: 400 A during 120 seconds
 Max. capacity: 600 A during 30 seconds

PARTICULAR CHARACTERISTICS:

Black galvanised finishing.

Size diagrams:



CIRCUIT:

