

INSTRUCTION SHEET

Efficient and Powerful White LED Lighting

Introduction

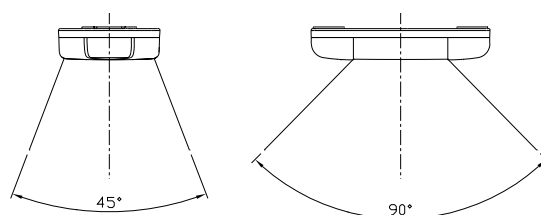
Hella marine LED lamps offer many advantages over conventional bulb lamps including significantly reduced power consumption, and a high tolerance to shock and vibration for an ultra long service life.

DuraLed® Plus lamps represent that latest in class leading high efficacy LED lighting that is both ultra durable and ultra powerful for heavy duty marine interior and exterior applications.

Installation

Light Pattern

The light pattern of this lamp is not symmetrical and is wider along the longer side of the lamp.

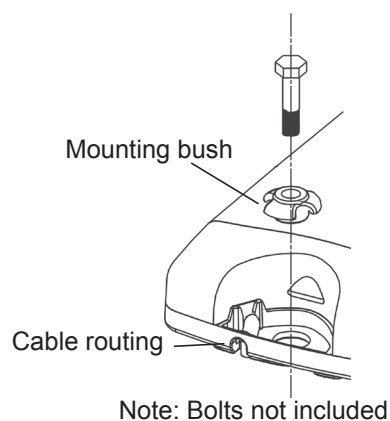


Screw Cap Removal

Carefully insert a small flat blade screwdriver between the cap and the lens and pull towards the lens, the cap will clip off. To install the cap push in by hand until the top is flush with the lens.

Surface Mounting

- Drill two holes up to 6.5mm Ø at either 148mm centres for 20 and 36 LED versions or 193mm for the 50 LED version.
- 6mm Ø screws or bolts are recommended to mount the lamp using the mounting bushes provided.
- Lamp should be mounted on a flat surface.
- If passing the cable through a hole, ensure there are no sharp edges to cut or chafe the cable.
- Alternatively, cable can be routed through the end of the base.
- Connect cable as per chart below.
- Clip the screw caps on securely until flush with the lamp surface



Note: When mounting lamp units side by side allow a gap of 5mm to ensure screw cap removal.

Wiring Colour Coding

LED modules are polarity conscious.

Reverse polarity will not damage this product but will inhibit its function.

Hella marine recommends wire connections be soldered, and heat shrink tubing applied to seal the joint.

Colour	Connect to	Power Consumption
Black	Negative (-)	
Red	Signal (+)	20 LED < 4 watts 36 LED < 7 watts 50 LED < 10 watts

NB: Lamp must be protected by a fuse rated at 5 amperes maximum.

Electromagnetic Compatibility (EMC)

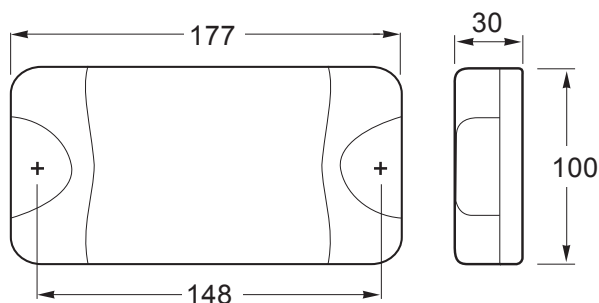
This Multivolt LED lamp is an electronic device. The electrical circuits contain components that suppress possible interference, both emission as well as susceptibility, to the limits prescribed in EN 60945.

Protection against damage due to voltage spikes

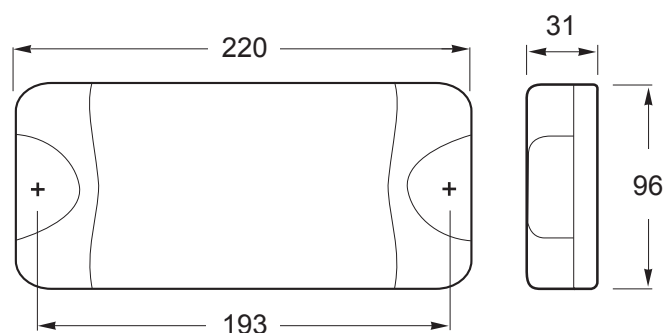
This lamp is protected against reverse polarity connection and negative voltage spikes of up to -1000 volts.

Lens material	UV resistant, enhanced impact acrylic
Base material	UV and impact resistant plastic
Light Source	LED
Colour Temperature	5000K (Cool White)
Dimming	Cannot be dimmed
Cable	Pre-wired with 2.5m of twin core marine cable.
Operating Voltage	9-33V DC
Voltage Protection	Spike protected to +500 volts. Reverse polarity protected to -700 volts
Power Consumption	20 LED < 4W (< 0.33A @ 12V / < 0.17A @ 24V) 36 LED < 7W (< 0.51A @ 12V / < 0.28A @ 24V) 50 LED < 10W (< 0.80A @ 12V / < 0.39A @ 24V)
Degree of Protection	IP 67 - Completely sealed
Weight	20 and 36 LED 345g (including cable), 50 LED 450g (including cable)
Installation	Surface mount with robust bush mount
Approvals	CE , ISO 8846 (Ignition Protection)

20 and 36 LED Dimensions (mm)



50 LED Dimensions (mm)



Warranty Statement

Congratulations! The product you have selected comes from Hella marine - one of the world's leading manufacturers marine lighting products.

Hella marine branded products are covered by a warranty against manufacturing or material defects. (For further details please check the terms of trade with your Hella marine agent).

The lamp module is sealed and does not have any serviceable parts inside; opening the module will invalidate warranty.

In the unlikely event that you should experience a problem with your purchase, please contact your Hella marine agent where you purchased the product.

