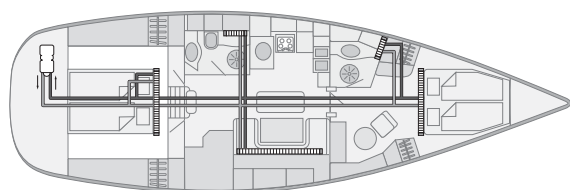


Water heaters

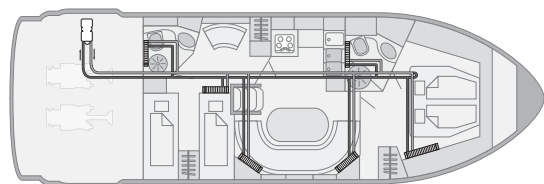
Thermo Top Evo / Thermo Pro 50 Eco

Thermo Top water heaters

This compact 5 kW unit is ideal for the majority of marine applications. Compact design, variable temperature control, service friendly technology and low noise levels.



The Thermo Top Evo is placed in the locker compartment of the boat. Radiators are used to heat up the boat, because electrical autonomy in this size of boat is often very important and radiators do not consume electricity of the battery.



The Thermo Top Evo in the engine compartment is able to heat the entire boat. Each cabin has individually sized convectors to match the heating requirements.

The advantages of water heaters:

- Heating comfort just like at home
- Even distribution of warmth by means of radiators
- Hot water for the shower and galley
- Silent operation
- Space-saving installation in the engine room
- Excellent possibilities for combining with Webasto BlueCool air-conditioning systems
- Separate temperature control in every cabin
- Low fuel consumption
- Compact design
- Preheating of the engine possible to avoid cold starts
- Meet current requirements and standards relating to boats
- Robust aluminum casing, resistant to high temperature or salt

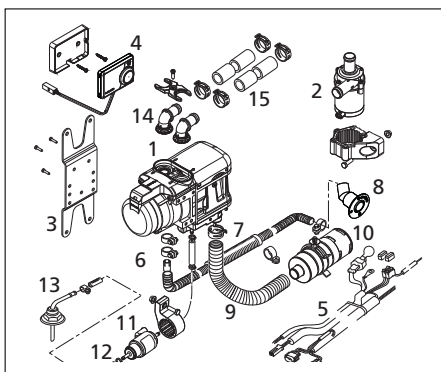
NEW

Technical specifications

	Thermo Top Evo	Thermo Pro 50 Eco
EC approval mark	ECE R122 (Heating) E1 00 0258 ECE R10 (EMV) E1 04 5627	ECE R122 (Heating) E1 00 0334 ECE R10 (EMV) E1 03 6271
Heating power (kW) Heating power (BTU/h)	5.0 17,100	5.0 17,100
Fuel consumption (l/h) Fuel consumption (gal/h)	Diesel, 0.31 – 0.62 Diesel, 0.08 – 0.16	Diesel, 0.3 – 0.6 Diesel, 0.08 – 0.16
Rated voltage (V)	12	24
Rated power consumption (W) Rated power consumption (amps)	12 – 33 2.7 – 3.5	28 – 46 1.2 – 1.9
Flow rate of circulating pump (against 0.14 bar) (l/h) Flow rate of circulating pump (against 0.14 bar) (gal/min.)	500 2.2	500 2.2
Flow rate of circulating pump (against 0.10 bar) (l/h) Flow rate of circulating pump (against 0.10 bar) (gal/min.)	–	900 4
Dimensions L x W x H (mm) Dimensions L x W x H (inch)	218 x 91 x 147 8.6 x 3.6 x 5.8	218 x 91 x 144 8.6 x 3.6 x 5.7
Weight (kg) Weight (lbs)	2.1 4.6	2.5 5.3



Scopes of delivery



Item	SOD	Description
1	■	Heater
2	■	Coolant Pump U4847 with fixation
3	■	Heater bracket
4	■	MultiControl with bracket
5	■	Wiring harness
6	■	Exhaust reducer
7	■	Exhaust silencer
8	■	Exhaust trough hull
9	■	Combustion air pipe
10	■	Air Intake silencer
11	■	Fuel pump DP42 with fixation
12	■	Fuel hose
13	■	Tank extracting device
14	■	Coolant connection piece
15	■	Coolant hose
	■	Mounting parts

1

Order number

9038892A

Thermo Top Evo Marine 12 V Diesel

9028080C

Thermo Pro 50 Eco Marine 24 V Diesel

NEW

2

Water system

For the distribution of heat in your boat you may need extra hoses, valves, expansion tank, convectors, air handlers etc. Please compose your water system individually.

3

Fuel supply

For the installation of the heater in the engine compartment the fuel supply system has to be fire-resistant according to EN ISO 7840. Please order the adequate components additionally (fuel lines, fuel supply kit, rubber hose, fuel pump protection).

4

Exhaust system

Depending on the installation position and length of the exhaust pipe you may need a condensation water drain and an exhaust pipe insulation additionally.

5

Accessories (optional)

For extension of your heater system you find comfort control elements as well as other installation and system components in the accessories section.