

## Viewline Amperemeter Shunt

### Description

Measurement resistor to measure Current in conjunction with a Viewline Ammeter.

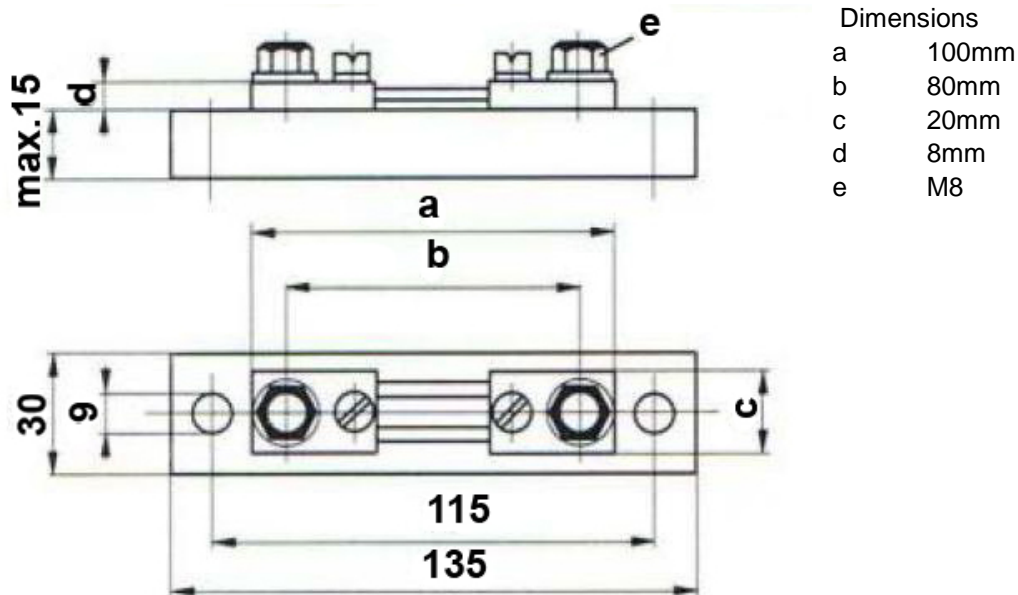


Picture: Shunt

\* This Product Basic Information provides general information about products which are not or not yet fixed within the product portfolio but are available in principle. It is used to give the first introduction of a product which is generally available, independent from afterwards determination of the product. Design and functionality of this general information can differ and can be gathered from the corresponding product specifications in case of a assumption of the product into the product portfolio. The reproduction, distribution and utilization of this document as well as the communication of its contents to others without express authorization is prohibited. Offenders will be held liable for the payment of damages. All right reserved in the event of the grant of a patent, utility model or design.

Technical Data	
Voltage drop	60 mV
Class	0.5
Overload	10 times nominal current for 5 sec
Electrical Connection	2x M8 2x M5
Mounting/Fixing	Support for 8 mm screws
Protection Class	IP 00 According to IEC 60529

## Mechanical Design



\* This Product Basic Information provides general information about products which are not or not yet fixed within the product portfolio but are available in principle. It is used to give the first introduction of a product which is generally available, independent from afterwards determination of the product. Design and functionality of this general information can differ and can be gathered from the corresponding product specifications in case of a assumption of the product into the product portfolio. The reproduction, distribution and utilization of this document as well as the communication of its contents to others without express authorization is prohibited. Offenders will be held liable for the payment of damages. All right reserved in the event of the grant of a patent, utility model or design.