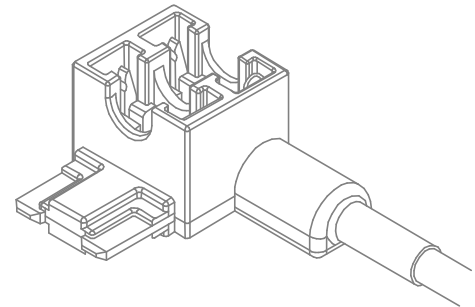


Notes and materials:

Body	Nylon PA66 UL 94V-0
Terminals	CuZn, Sn plated
Cable	120 ± 10mm, 16 AWG (1.3mm ²) red wire
Connector	PVC butt connector, min. 15KG pull-out force
Current rating	Max. 10 Amp for additional circuit
Fuse series	FLP7000 series Low Profile miniOTO fuse, see table

FLP7000 series miniOTO Low Profile blade fuse ref. table:

Rating [A]	Color	Volt [V]	iMaXX Reference
2	Gray	58	FLP7002
3	Violet	58	FLP7003
4	Pink	58	FLP7004
5	Tan	58	FLP7005
7.5	Brown	58	FLP7075
10	Red	58	FLP7010
15	Blue	58	FLP7015
20	Yellow	58	FLP7020
25	Natural	58	FLP7025
30	Green	58	FLP7030



Revisions			Date	Appr.			
	Date	Type	Drawn	05/13	GRH		
a	05/17	updated notes and materials table	Checked	05/17	BE		
			Standards				
			Approved	05/17	AdH		
			Scale	not to scale			
			Projection	Tolerance ± 0.2 mm unless otherwise noted			
					Title	HLP7400 series, Circuit+ LP miniOTO fuse	
					Drawing type	schematic	
					Drawing number	HLP7400 drawing 1	
					Sheet	1 of 1	
				Layers / Sheet	0 1 2 6 9 11	Sheet	01

