

Design Data	
Commutation	brushed
Direction of rotation	bidirectional
Bearing Type	A:Ball - B:Sleeve

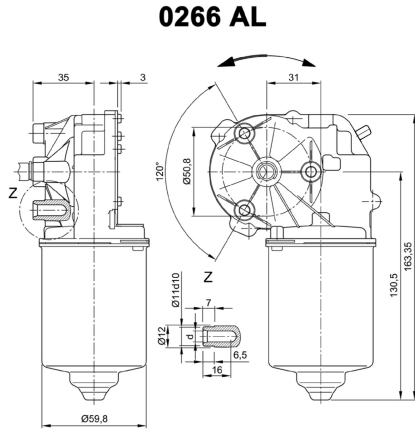
Performance data		
Nominal Voltage [V]	U_N	24
Nominal Torque [Nm]	M_N	2,00
Nominal Speed [min^{-1}]	n_N	147,692
Nominal Power [W]	P_N	30,9
Nominal current [A]	I_N	4,0
Nominal force [kN]	F_N	0,00
Duty cycle	s1	

Sensor data	
Pulses	1
Output channels	2

Other data	
Gear ratio	53/2
Gear wheel material	plastic
Suppression components	6 μ H, 1nF
Enclosure class	IP 30
Weight [kg]	1,210

Remarks:
d= für gewindeformende Schraube M6 DIN ISO 965-2

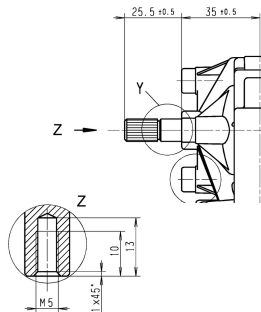
Characteristic Curves



Motor picture

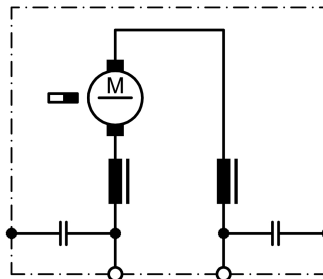


Output shaft drawing (W), Wiring diagrams (S) and Connector layout (K)

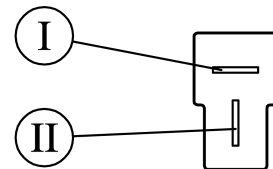


I serration (rolled)
no of teeth 28, pitch circle dia 9 mm, tip circle dia 9,6 mm, root circle dia 8,26 mm space width angle 60°

S 30



K 320



Flat plug (DIN 46244) 6,3x0,8 mating with receptacle housing part#180907, drwg# C-180907 & Receptacles for tabs, conductor cross section 0,5-1,5 sqmm (20-18AWG) part# 925603-x, drwg# 925603 www.tycoelectronics.com

Output shaft drawing (W), Wiring diagrams (S) and Connector layout (K)

goes with go/no go gauge Frenco 33906
www.frenco.de