

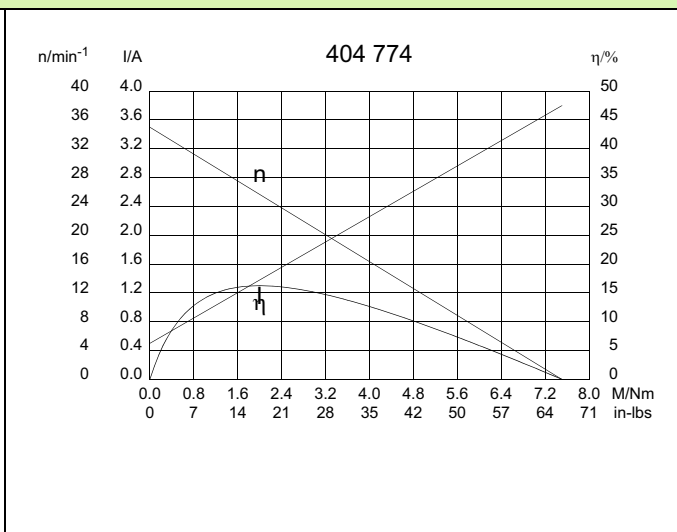
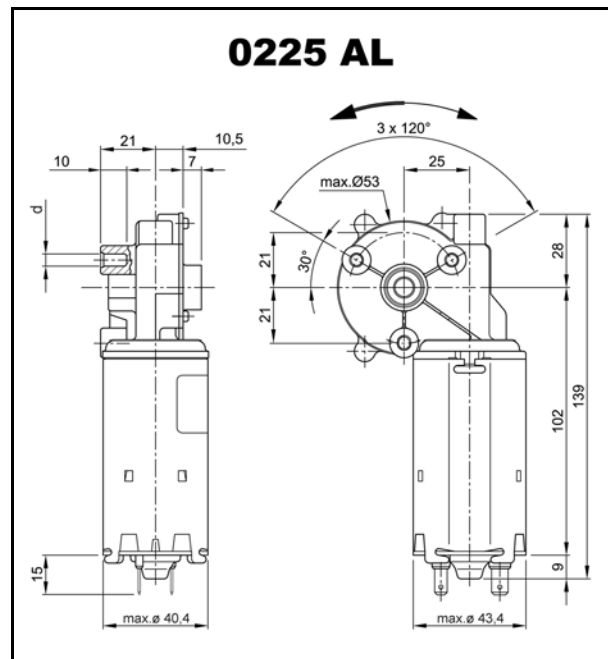
Series 0225 (GMPG)

Motor type 404 774

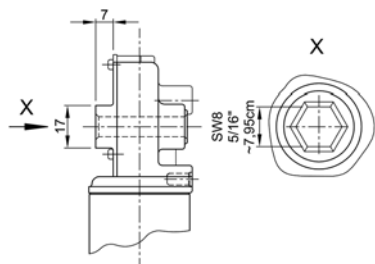


Motors & Actuators

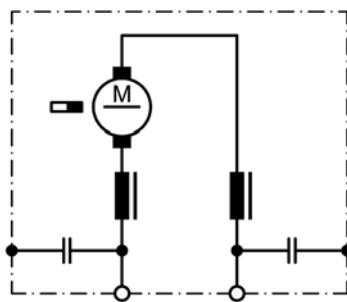
Technical Data			
Rated voltage	U_N	[Volt]	24
No-load speed	n_0	[min ⁻¹]	35
Nominal torque	M_N	[Nm]	1,30
ON time		%	10
ON		[min]	
Starting torque	M_A	[Nm]	7,50
Gear ratio	i		72/1
Armature resistance, 2 bars	R	[mΩ]	5670,00
	R	[mΩ]	4200,00
Armature inductance, 2 bars	L	[mH]	5,65
	L	[mH]	3,90
Armature load inertia	J_R	[kgm ²] × 10 ⁻⁶	
Gear wheel material			plastic
Hall IC			
Pulses/rev. drive shaft			
Output channels			
Remarks	d = for self-tapping screw M5 DIN 7500		
Enclosure class			IP 30
Weight		[kg]	0,570



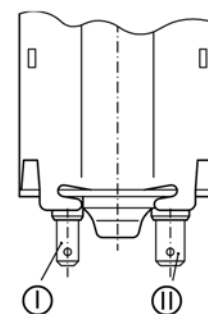
W 229



S 30



K 117



- I Blade terminal ends
4,8 x 0,8 DIN 46 244
- II Blade terminal ends
6,3 x 0,8 DIN 46 244