

Design Data	
Commutation	brushed
Direction of rotation	bidirectional
Bearing Type	A:Sleeve - B:Sleeve

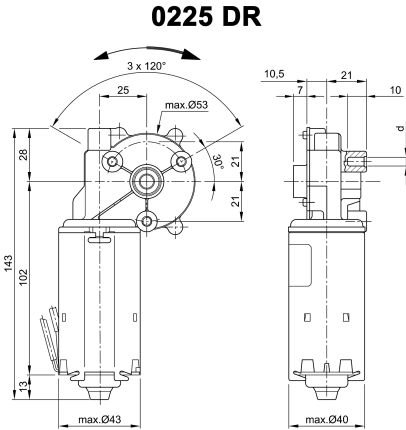
Performance data		
Nominal Voltage [V]	U_N	24
Nominal Torque [Nm]	M_N	2,00
Nominal Speed [min^{-1}]	n_N	120
Nominal Power [W]	P_N	25,1
Nominal current [A]	I_N	5,0
Nominal force [kN]	F_N	0,00
Duty cycle	s3	

Sensor data	
Pulses	62
Output channels	2

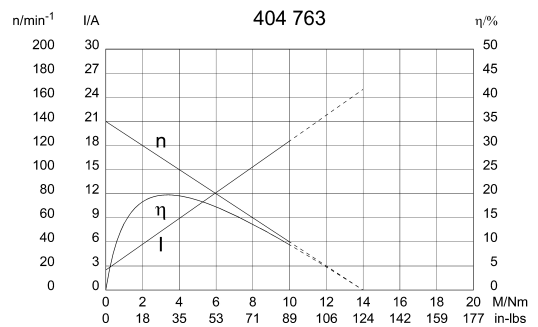
Other data	
Gear ratio	62/1
Gear wheel material	plastic
Suppression components	4 μ H, 1nF
Enclosure class	IP 30
Weight [kg]	0,710

Remarks:
d = for thread-forming screw M5 DIN 7500

Characteristic Curves

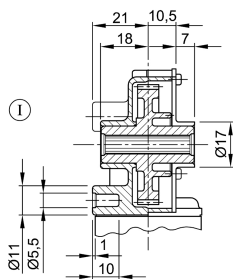


Motor picture



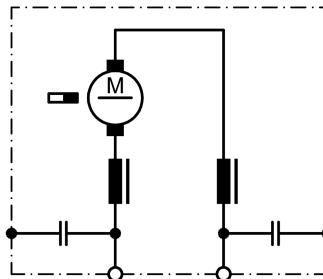
Output shaft drawing (W), Wiring diagrams (S) and Connector layout (K)

W 148

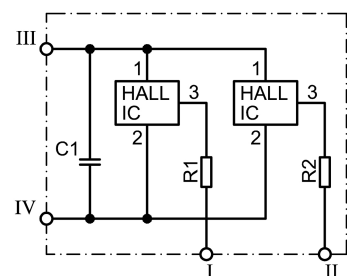


I Tapered splines 7 x 8 DIN 5481 continuous

S 30



S 109



I Terminal 1, OUT A1, grey
II Terminal 2, OUT A2, black
III Terminal 3, +, white
IV Terminal 4, -, red

