



Efficient, thorough, reliable:

Fuel and intake system cleaning with JetClean Tronic II

A common method of reducing pollutant emissions in modern combustion engines while at the same time improving their effectiveness is to inject the fuel directly into the combustion chamber. Direct injection assumes that the injector used (gasoline or diesel) goes into the combustion chamber. The consequence is that the sensitive nozzle head is permanently in contact with exhaust gases (including soot). Depending on the driving style and quality of fuel, deposits quickly form at the fuel outlets on the nozzle head. This means that the injected fuel can no longer mix optimally with the air, which in turn leads to higher consumption and with it an increase in pollutant emissions. As time goes on, more combustion residues such as soot is produced, clogging the fine outlets even more. This results in even poorer combustion through to the injector being blocked or the system failing, which can entail costly repairs. A further problem with direct-injection gasoline and diesel engines is that the intake area is not cleaned. This is contami-

nated both by the exhaust gas flowing back as a result of valve overlap and crankcase ventilation (deposits on the intake valves) and by the exhaust gas recirculation system. This combination of exhaust gas tract and intake tract causes what can be enormous deposits on the intake side of the engine. The resulting problems are wide and varied - from a thoroughly contaminated intake area through a faulty exhaust gas recirculation valve to poorly closing intake valves and the associated loss of compression.

JetClean Tronic II from LIQUI MOLY combines with our Pro-Line JetClean Tronic II additives to eliminate problems in the fuel and intake system quickly and reliably.

17 advantages of JetClean Tronic II:

- 01 One device for two applications. Both the fuel system and the intake system can be cleaned at the same time.
- 02 Made in Germany quality. The device was developed and manufactured in Germany and is CE tested.
- 03 Housing and tanks made of high-grade stainless steel.
- 04 Active cooling of housing and medium in order to avoid the formation of steam bubbles. A continuous warning tone is given for safety if the medium reaches a temperature > 50 °C. The red indicator lamp on the device lights up at the same time.
- 05 To prevent the engine "running dry", a continuous warning tone is given when the fill level in the additive tank reaches approx. 250 ml and the blue indicator lamp on the device lights up at the same time.
- 06 Pressure regulator instead of bypass valve. The pump regulates the pressure automatically as soon as the vehicle demands more or less power. The maximum operating pressure is 6.5 bar. The pressure regulator allows the pressure in the device to be relieved completely after cleaning, ensuring additional safety.
- 07 Operated from the starter battery (12 volts) of the vehicle. This means cleaning does not need to be done at a specific location, and there is no need for an annual DGUV inspection.
- 08 Efficient pump delivering up to 120 U/h.
- 09 The high-quality pressure gauge displays pressures of up to 10 bar.
- 10 Standard fuel filter available in the trade with a filtration rate of 3-5 µm. The scope of delivery includes a sealing plate with screw for sealing the removed gasoline or diesel fuel filter.
- 11 Easy-to-read fill level indicator on the outside.
- 12 Separate tank for cleaning the intake tract.
- 13 Special adapters allow easy adaptation on the vehicle.
- 14 Also suitable for commercial vehicles, agricultural machinery, buses and motorcycles.
- 15 Adapter kits of the predecessor model can still be used.
- 16 Comprehensive operating instructions.
- 17 Both tanks can be emptied completely.

How JetClean Tronic II pays off:

Fuel system cleaning

Selling price of fuel system cleaning (net) _____

Cost of Pro-Line _____

JetClean Fuel System Cleaner 1 l* _____

Profit per application (net)** _____

Profit from 144 fuel system cleaning operations per year (3 per week)** _____

Intake system cleaning

Selling price of intake system cleaning (net) _____

Cost of Pro-Line JetClean Gasoline _____

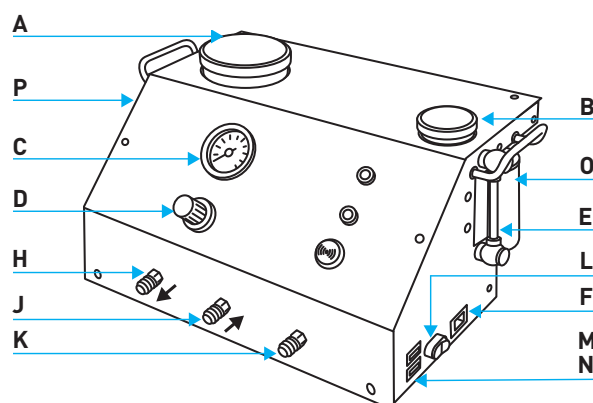
Intake System Cleaner 300 ml* _____

Profit per application (net)** _____

Profit from 96 intake system cleaning operations per year (2 per week)** _____

Total profit for fuel and intake system cleaning per year _____

Description of the device:



- A: 3 l tank for fuel system cleaning
- B: 300 ml tank for intake system cleaning
- C: Pressure gauge
- D: Pressure regulator
- E: Fill level indicator
- F: 12 V power supply
- H: Fuel system cleaning feed quick connector
- J: Fuel system cleaning return quick connector
- K: Intake system cleaning feed quick connector
- L: ON/OFF switch
- M: Pump fuse 15 A (top)
- N: Fan, signal transmitter, indicator lamps fuse 3 A (bottom)
- O: Gasoline/diesel fuel filter
- P: Fuel system cleaning tank A fill level indicator

The JetClean Tronic II concept:

JetClean Tronic II: The 2-in-1 application

**Fuel system
cleaning**

**Intake system
cleaning**



Trainings

LIQUI MOLY offers training courses and instruction on site.



Products

All products for perfect fuel system cleaning.



Products

All products that make professional intake system cleaning possible.



Accessories

Connection adapter for all standard vehicle types.



Accessories

Universal adapters and hoses for the intake area.



Sales promotion

Advertising material for the effective marketing of the fuel system and intake system cleaning.



External advertising

Billboards and printed advertisements.

Products for fuel system cleaning



1 Liter
Part no. 5147

5 Liter
Part no. 5151

Pro-Line
JetClean Fuel
System Cleaner



500 ml
Part no. 5154

1 Liter
Part no. 5149
5 Liter
Part no. 5155

Pro-Line
JetClean Diesel
Injection Cleaner

Products for intake system cleaning



300 ml
Part no. 20985

Pro-Line
JetClean Gasoline
Intake System Cleaner



300 ml
Part no. 20986

Pro-Line
JetClean Diesel
Intake System Cleaner

Scope of delivery:



JetClean Tronic II

Part no.: 29001
 Contents: 1 each
 Type of packaging: Case
 PU: 1

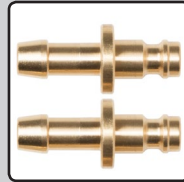


JetClean Adapter set 1-32 M1

Part no.: 8263
 Contents: 1 each
 Type of packaging: Plastic box
 PU: 1



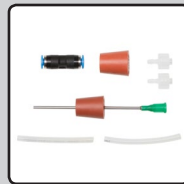
Connection hoses with plug



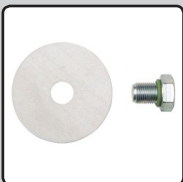
Adapter with open plug



Intake system cleaning set



Needle, Luer and rubber cone



Sealing plate for fuel filter



Fuel filter & gasoline/ diesel sticker

Optional accessories:



JetClean Tronic II TD ASR with compressed air connection

Part no.: 29067
 Contents: 1 each
 Type of packaging: Case
 PU: 1



JetClean Adapter set P1

Part no.: 29070
 Contents: 1 each
 Type of packaging: Plastic box
 PU: 1



JetClean Adapter set M2

Part no.: 29069
 Contents: 1 each
 Type of packaging: Plastic box
 PU: 1

With best regards:



LIQUI MOLY GmbH
 Jerg-Wieland-Straße 4
 89081 Ulm
 GERMANY
 Phone: +49 731 1420-0
 Fax: +49 731 1420-75
 E-Mail: info@liqui-moly.com
 www.liqui-moly.com

Technical Support:
 Phone: +49 731 1420-871
 E-Mail: support@liqui-moly.com

No liability for misprints.
 Subject to technical modifications.