



THE UNITED KINGDOM VEHICLE APPROVAL AUTHORITY

COMMUNICATION CONCERNING THE APPROVAL GRANTED <sup>(1)</sup>/~~APPROVAL EXTENDED <sup>(4)</sup>~~/  
~~APPROVAL REFUSED <sup>(4)</sup>~~/~~APPROVAL WITHDRAWN <sup>(4)</sup>~~/~~PRODUCTION DEFINITELY  
DISCONTINUED <sup>(4)</sup>~~ OF A TYPE OF HEADLAMP PURSUANT TO REGULATION NO 112.01



Approval No: 112RHR PL-017578

Extension No: not applicable

1. Trade name or mark of the device: R.I.
2. Manufacturer's name for the type of device: 20" SR-Series Combo Lamp
3. Manufacturer's name and address:  
Rigid Industries  
779 N. Colorado St.  
Gilbert, AZ 85233  
USA
4. If applicable, name and address of manufacturer's representative: not applicable
5. Submitted for approval on: 8 September 2014
6. Technical service responsible for conducting approval tests: Vehicle Certification Agency
7. Date of report issued by that service: 31 October 2014
8. Number of report issued by that service: T25E-7578 00

USQ302442



9. Brief description:

Category as described by the relevant marking: HR PL<sup>(2)</sup>

Number and category(s) of filament lamp(s): 20, LED

Reference luminous flux used for the principal passing beam (lm): not applicable

Principal passing beam operated at approximately (V): not applicable

Measures according to paragraph 5.8. of this Regulation: not applicable

Number and specific identification code(s) of LED module(s) and for each LED module a statement whether it is replaceable or not: YES/NO<sup>(1)</sup>. Not replaceable

Number and specific identification code(s) of electronic light source control gear(s). not applicable

Total objective luminous flux as described in paragraph 5.9. exceeds 2,000 lumen: YES/NO/DOES NOT APPLY<sup>(1)</sup>.

The adjustment of the cut-off has been determined at: ~~10 m/25 m~~/does not apply<sup>(1)</sup>.

The determination of the minimum sharpness of the "cut-off" has been carried out at: ~~10 m/25 m~~/does not apply<sup>(1)</sup>

10. Approval mark position: on the lens

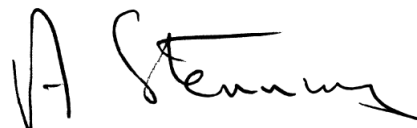
11. Reason(s) for extension of approval: not applicable

12. Approval GRANTED/~~EXTENDED/REFUSED/WITHDRAWN~~<sup>(4)</sup>

13. Place: BRISTOL

14. Date: 14 NOVEMBER 2014

15. Signature:



A. W. STENNING  
Head of Technical and Quality Support Group

16. The list of documents deposited with the Administrative Service which has granted approval is annexed to this communication and may be obtained on request.

Any remarks: Approval to Supplement 04

Class: B

Maximum luminous intensity: 37.5

Rated voltage: 12 – 24VDC

Maximum Wattage: 76

Component Number(s): 92031EM

Tamper-resistant, proprietary security screws are used to prevent access to the light source.

(1) Strike out which does not apply.

(2) Indicate the appropriate marking selected from the list below:

- |          |          |          |        |        |        |        |         |         |         |         |
|----------|----------|----------|--------|--------|--------|--------|---------|---------|---------|---------|
| C,       | C,       | C,       | R,     | R PL   | CR,    | CR     | CR,     | C/R,    | C/R,    | C/R,    |
| -->      | -->      | <-->     |        |        |        | ---    | <-->    | ---     | ---     | <-->    |
| C/,      | C/,      | C/,      | C PL,  | C PL,  | C PL,  | CR PL, | CR PL,  | CR PL,  | CR PL,  | CR PL,  |
| ---      | ---      | <-->     | ---    | ---    | <-->   | ---    | ---     | ---     | ---     | <-->    |
| C/R PL   | C/R PL   | C/R PL   | C/PL   | C/PL   | C/PL   |        |         |         |         |         |
| ---      | ---      | <-->     | ---    | ---    | <-->   |        |         |         |         |         |
| HC,      | HC,      | HC,      | HR,    | HR PL, | HCR,   | HCR,   | HCR,    | HC/R,   | HC/R,   | HC/R,   |
| ---      | ---      | <-->     | ---    | ---    | ---    | ---    | <-->    | ---     | ---     | <-->    |
| HC/,     | HC/,     | HC/,     | HC PL, | HC PL, | HC PL, | HCR PL | HCR PL, | HCR PL, | HCR PL, | HCR PL, |
| ---      | ---      | <-->     | ---    | ---    | <-->   | ---    | ---     | ---     | ---     | <-->    |
| HC/R PL, | HC/R PL, | HC/R PL, | HC/PL, | HC/PL, | HC/PL, |        |         |         |         |         |
| ---      | ---      | <-->     | ---    | ---    | <-->   |        |         |         |         |         |



Rigid Industries  
 779 N. Colorado St.  
 Gilbert, AZ 85233  
 USA

APPROVAL OF MOTOR VEHICLE HEADLAMPS EMITTING AN ASYMMETRICAL PASSING BEAM OR A DRIVING BEAM OR BOTH AND EQUIPPED WITH FILAMENT LAMPS AND/OR LED MODULES PURSUANT TO REGULATION NO 112 .01

Approval Number Issued: **7578**

Extension: 00

CHANGES FROM THE ORIGINAL CERTIFICATION			
Date	Rev	Author's Initials	Changes
10/13/14	0	AR	Initial Approval

Group Approval: **No**

Trade name or mark of the device: **R.I.**

Manufacturer's name for the type of device: **20" SR-Series Combo Lamp**

Component(s) to be covered by approval: **92031EM**

Is the lamp vehicle specific: **No**

Manufacturer's name and address:

**Rigid Industries  
 779 N. Colorado St.  
 Gilbert, AZ 85233, USA**

If applicable, name and address of manufacturer's representative:

**N/A**

Manufacturing Plant(s) Address

**Rigid Industries  
 779 N. Colorado St.  
 Gilbert, AZ 85233, USA**



Manufacturer/Applicant Contact Person Responsible for Agreement: **Aaron Richardson**

Test Location:

**Intertek  
3933 US Route 11  
Cortland, NY 13045  
John McDonnell**

Description of Headlamp

Suitability for right-hand or left-hand traffic or for both traffic systems: **Both**

If suitable for both explain the means of the selective setting and how the design shall preclude inadvertent shifting from one setting to the other or setting in an intermediate position: **Symmetric Beam (about vertical axis)**

The kind of beam produced:

Category as described by the relevant marking: **HR PL**

Class of headlamp: **B**

Rated voltage and wattage: **12V-24V DC, 76 W**

Manufacturer's declared maximum luminous intensity: **37.5**

Number and category(s) of filament lamp(s) as listed in Regulation No. 37 and its series of amendments or number and grouping of LEDs

:

Passing: **N/A**

Driving: **20 LED's**

A brief technical specification of the LED module(s): **N/A**

The height and mounting position(s) of the headlamp in relation to the ground: **Above 750 mm**

Headlamp is equipped with an adjustable reflector: **No**

A brief technical description including, in the case where headlamps are used to produce bend lighting: **N/A**

The light source module specific identification code: **N/A**

Number and specific identification code(s) of electronic light source control gear(s): **N/A**

For electronic light source control gear, information on the electrical interface necessary for approval testing: **N/A**

Headlamp material List

Optic Holder Material: **Polycarbonate**

Housing Material: **Aluminum**

Outer Lens Material: **Polycarbonate**

Solid Optical Lens Materials: **Polycarbonate**

The materials making up the lenses and coatings, if any, shall be accompanied by the test report of the characteristics of these materials and coatings if they have already been tested.

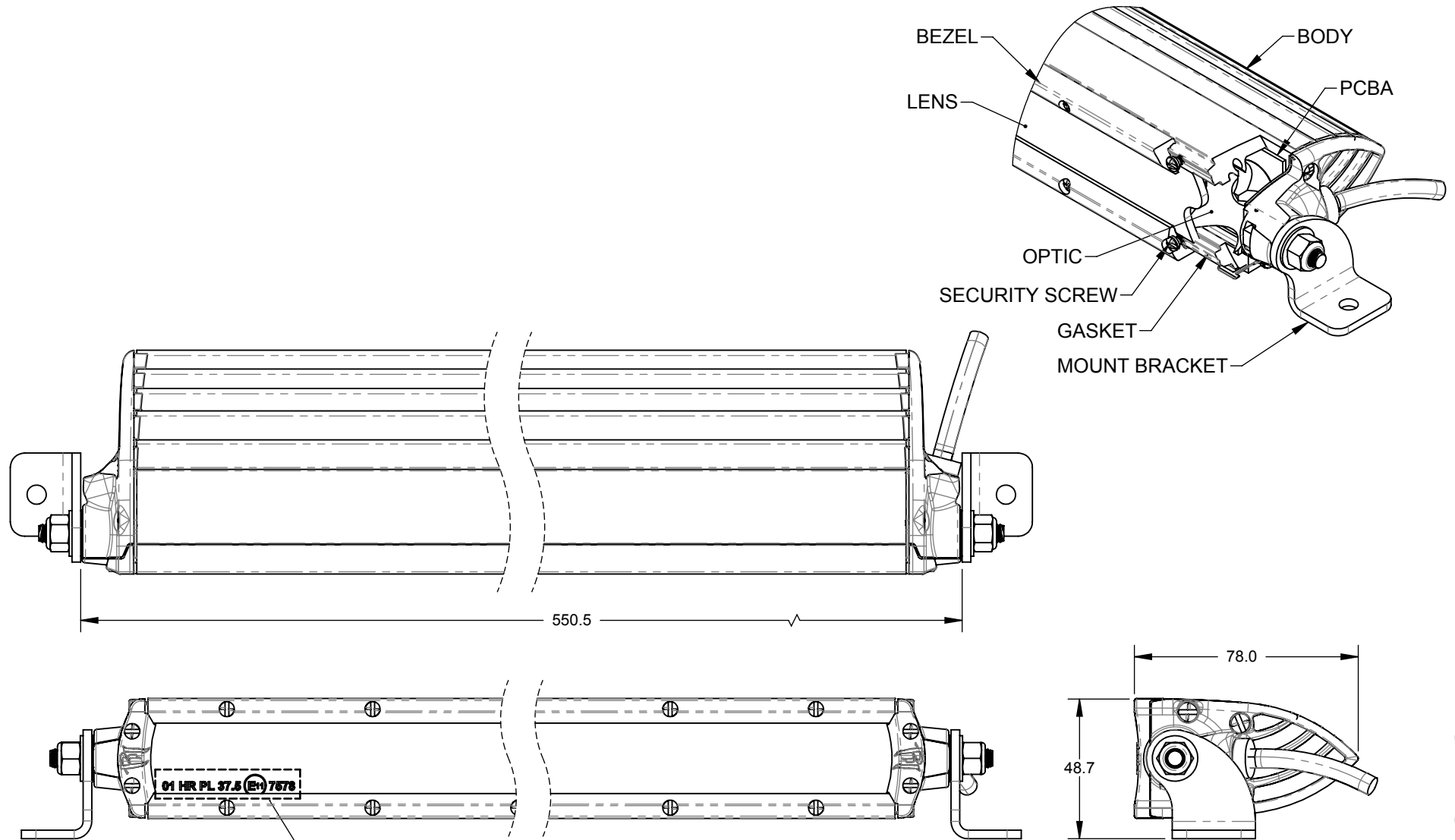
Lens of plastic material have been previously tested: **No**

Approval mark position: **Lens**

Attach drawing(s) in sufficient detail to permit identification of the type and representing a frontal view of the headlamp, with details of lens ribbing if any, and the cross-section. The drawings shall indicate the space(s) reserved for the approval mark and in case of LED module(s) also the space reserved for the specific identification code(s) of the module(s). If the headlamp is equipped with an adjustable reflector, an indication of the mounting position(s) of the headlamp in relation to the ground and the longitudinal median plane of the vehicle, if the headlamp is for use in that (those) position(s) only. A drawing with dimensions and the basic electrical and photometric values and the objective luminous flux and for each LED module a statement whether it is replaceable or not.

NOTES: (UNLESS OTHERWISE SPECIFIED)

1. NO DEVIATIONS FROM DRAWINGS ACCEPTED UNLESS APPROVED IN WRITING BY RIGID INDUSTRIES.



01 HR PL 37.5 (E11) 7578

<p><b>RIGID INDUSTRIES</b> 779 N Colorado Street, Gilbert, Arizona 85233 - 1-480-655-0100 - WWW.RIGIDINDUSTRIES.COM</p>		RIGID PART# <b>92031E</b>	REV: 14-Nov-14
UNLESS OTHERWISE NOTED ALL DIMENSIONS IN MILLIMETERS		DESCRIPTION: <b>20" SR-Series - Combo</b>	
TOLERANCES LINEAR:                      CIRCULAR: X.X                            X.XX                      ± 0.20 X.XX                          X.XXX                     ± 0.10 X.XXX                        ANGLES: ±0.5° FLATNESS: ±0.20            CONCENTRICITY: ±0.20		APPROVAL AUTHORITY 	