

THE NEW POWER OF 3D ALIGNERS

SPEED32 SERIES

The SPEED32 Series is the second generation of Rotary 3D wheel aligners. Its innovative system of totally wireless 3D cameras with Bluetooth transmission can be used on different

types of lifts thanks to its automatic flatness compensation. Its compact size also makes it suitable for those workshops having limited space.

- + Accurate precision: 3D measuring heads with HQ resolution
- + Flexibility of use: enclosure with flexibility in movement and extremely small and lightweight 3D measuring heads
- + Smart technology: intuitive software

System integrated with lift. System with 3D measuring heads directly connected to the lift, in this way eliminating the space occupied by the tower in front of the lift.



MORE EFFICIENT WORKSHOP IN TERMS OF SPACE AND OPERATIONS:

NO OBSTACLE

Maximization of the available workspace.

MINIMUM EFFORT

Run out compensation not required.

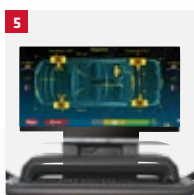
RAPID WORK

Fast acquisition of vehicle alignment data.

NO LIMITS

One aligner for multiple working bays.

HIGHLIGHTS IN DETAIL



1 Built-in head with rubber protection and handle with plastic protection.

2 Rapid pivoting coupling system to the lift to prevent damage in the case of obstacles in descent.

3 Battery with quick release system.

4 Dedicated compartments for storing the 3D measuring heads (Model HPR-HP and SP).

5 Smart card and USB pen drive access. Easy access to the smart card to quickly update the data bank and USB pen drive for saving and restoring customer data.

6 Management software and display in Windows environment, always connected with the Wi-fi USB flash drive. Simple and intuitive thanks to high resolution graphics.



FEATURES OF THE 3D MEASURING HEADS:

- + LCD display for primary information.
- + Five keys for software navigation, also remote controllable.
- + Remote control function.
- + LED repeaters to assist recording.
- + 5MP resolution for measurement and compensation of the lifting platform level.
- + Only one head installation position to measure different wheelbase vehicles.
- + Weight 3 kg.

QUICK AND ACCURATE MEASUREMENT.

The 3D measuring heads instantly read all vehicle angles with maximum precision.



THE REAL 3D TARGETS

Extremely lightweight, maintenance-free and have no electronic components.

CABINETS CLOSED

Screen 27".

Easy to reach battery charger.

Compartment for storing keyboard and mouse.

Compartment for printer (included).

Large handles.

Doors fitted with dampers

Wheel diameter 125 mm.



Models
SPEED 32P HPR-HP



Model
SPEED 32P SP

Screen 22".

Easy to reach battery charger.

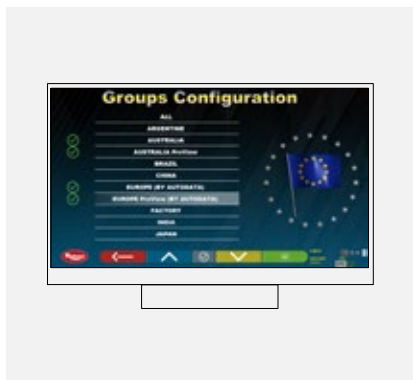
Compartment for storing keyboard.

Compartment for printer (included).

Large handles.

Doors fitted with dampers

Wheel diameter 100 mm.



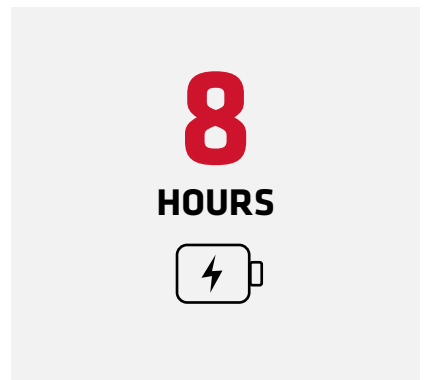
INTERNATIONAL DATA BANK

with vehicle technical data sheets and possibility to create a customer data bank for adjustment recording.



COMPATIBLE WITH SYSTEM TEQ-LINK

Internet connection.
Sending results to the customers.
Remote assistance.



THE BATTERY CHARGE LASTS

to permit extended full day activity.

IN COMBINATION

Thanks to the Real 3D targets, combined with the supporting 3 and 4-point clamps, the run out compensation procedure can be skipped to speed up the operator's activity and maximize workshop efficiency.

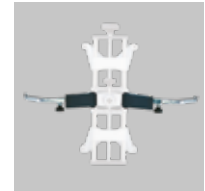
TWO TYPES OF CLAMPS AVAILABLE:



Set of 4 **self-centring 3-point clamps** requiring no compensation.*



Set of 4 self-centring **4-point clamps**.



+ **STDA38K** allows you to avoid run out compensation. (Optional for self-centring 4-point clamps)

*Equipped with a rapid movement system and ABS claws; no metal on metal contact.

CABINET OPENED



Model
SPEED 32 L

Screen 22".

Easy to reach
battery charger.

Optimised space for
storing equipment.

Wheel diameter 100 mm.



Dedicated hooks for
storing the 3D measuring
heads.

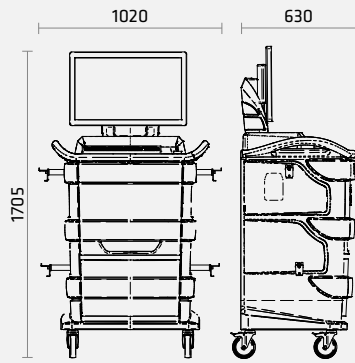
MODEL OVERVIEW

	Item no.	Colour
SPEED 32P HPR	ROT.D32HP.700001	RAL3002
SPEED 32P HP	ROT.D32HP.700049	RAL3002
SPEED 32P SP	ROT.D32SP.700193	RAL3002
SPEED 32P SP	ROT.D32SP.700230	RAL3002
SPEED 32 L	ROT.D32LT.700070	RAL7040
SPEED 32 L	ROT.D32LT.700254	RAL7040

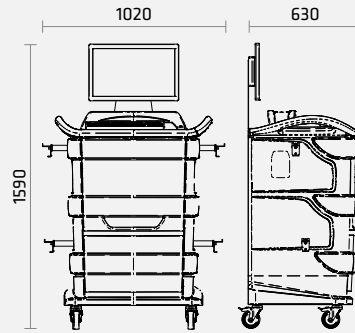
STANDARD EQUIPMENT

Cabinet	Clamps
closed	3-point
closed	3-point
closed	3-point
closed	4-point
open	3-point
open	4-point

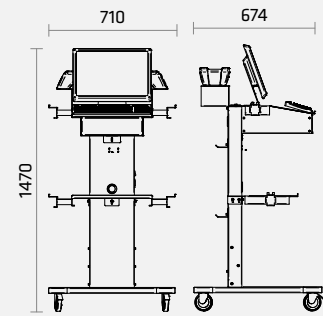
SPEED32PHPR- SPEED32PHP



SPEED32PSP



SPEED32L

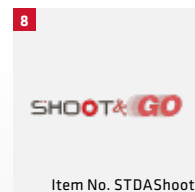
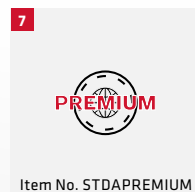
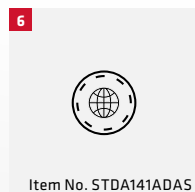
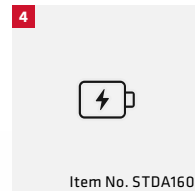
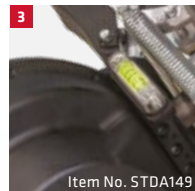


Model

HPR-HP SP L

Individual toe front/rear axle	+/- 20°
Total toe	+/- 20°
Toe-out on turns	+/- 20°
Camber front/rear axle	+/- 10°
Caster	+/- 18°
SAI	+/- 18°
Set-back	+/- 5°
Set-back front axle	+/- 5°
Geometric centre line	+/- 5°
Thrust angle	+/- 5°
Max. steering angle	+/- 50°
Min. tyre size	8"
Max. tyre size	24"
Max. wheel diameter	910 mm
Max. wheel base	4.500 mm

ACCESSORIES



1 Set of quick locking arms to upgrade 4-point clamps (4 pieces).

2 Pair of premium turn tables HD Ø 360 mm.

3 Kit of 4 spirit levels for targets.

4 Kit containing 2 batteries.

5 Token (software licence) to use with on smartphones/tablets.

6 Advanced enabling of ADAS functions.

7 Token for additional functions.

8 Token for consulting database on-line.

*Check price list for applicability to models.