



Vehicle Administration has, on the application of Hella Lighting Finland Oy, located in Salo, by virtue of the Decree of the Ministry of Transport and Communications 874/94 § 2 on Carrying into Effect the Agreement Concerning the Adoption of Uniform Conditions of Approval and Reciprocal Recognition of Approval for Motor Vehicle Equipment and Parts, decided to grant extension to the ECE approval for the motor vehicle rear fog lamp model Talmu 14 1179-120, 14 1179-170 and Hella 2NE 964 169-02 manufactured by the applicant, carrying approval number 3808 Extension 1 and complying with the ECE regulation No. 38/00 as specified in the enclosed Approval Certificate and Drawings.

Each lamp device meant by this type-approval must be equipped with markings required by the ECE Regulation in question.

The lamp devices marked with the approval number must correspond to the devices examined in tests on which this approval decision is based. The approval can be cancelled if it is found that the lamp devices carrying the approval number do not comply with the requirements of ECE Regulations No. 38/00.

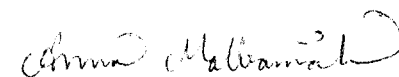
The applicant is obligated to inform Vehicle Administration and the technical service responsible for conducting approval tests of changes intended for the lamp devices.

Helsinki, on 23rd September, 1999

Head of Unit


Martti Lahti

Inspection Engineer


Anna Malkamäki

Charge FIM 1000,-

HELLA LIGHTING FINLAND OY
24280 SALO

<i>Post address</i>	<i>Address</i>	<i>Telephone</i>	<i>Telefax</i>
<i>P.O. Box 120</i>	<i>Fabianinkatu 32</i>	<i>0100 7800</i>	<i>(09) 6185 3609</i>
<i>FIN-00101 Helsinki</i>	<i>Helsinki</i>	<i>Telephone int.</i>	<i>Telefax int.</i>
		<i>+358 100 7800</i>	<i>+358 9 6185 3609</i>



Date
23.9.1999

Dnr
1831/209-99

F
00
3808

COMMUNICATION



concerning:

~~APPROVAL GRANTED~~
~~APPROVAL EXTENDED~~
~~APPROVAL REFUSED~~
~~APPROVAL WITHDRAWN~~
~~PRODUCTION DEFINITELY DISCONTINUED~~

of a type of rear fog lamp

pursuant to Regulation No. 38/00

Approval No. 3808

Extension No. 1

- | | | |
|----|-----------------------------------------------------------------------|---------------------------------------------------------------------------------------------------------------------------------------------------|
| 1. | Trade name or mark of the device: | Talmu 14 1179-120 and 14 1179-170
Hella 2NE 964 169-02 |
| 2. | Manufacturer's name for the type of device: | rear fog lamp 1179 |
| 3. | Manufacturer's name and address: | HELLA LIGHTING FINLAND OY
FIN-24280 Salo
FINLAND |
| 4. | If applicable, name and address of the manufacturer's representative: | n.a. |
| 5. | Submitted for approval on: | 7.9.1999 |
| 6. | Technical service responsible for conducting approval tests: | Technical Research Centre
VTT AUTOMATION
Product Technology
Laboratory of Lighting Technology
P.O.Box 13051
FIN-02044 VTT, Finland |
| 7. | Date of report issued by that service: | 7.5.1998
<u>2.9.1999</u> |
| 8. | Number of report issued by that service: | <u>AUT/TES/57/98</u>
<u>AUT/TES/288/99</u> |





Date
23.9.1999

Dnr
1831/209-99

9. Concise description:
Number and type(s) of lamp(s): one lamp, P21 W
10. Position of the approval mark: on the lens, see drawing
No. 014029-00
11. Reason(s) for extension (if applicable): new drawing for the situation in which
the device is assembled into the
console: See drawing No. 341 212-00
12. Approval ~~granted/extended/refused/withdrawn~~
13. Place: Helsinki
14. Date: 23.9.1999
15. Signature:

Martti Lahti
Head of Unit



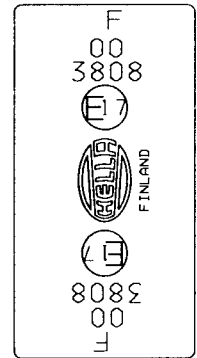
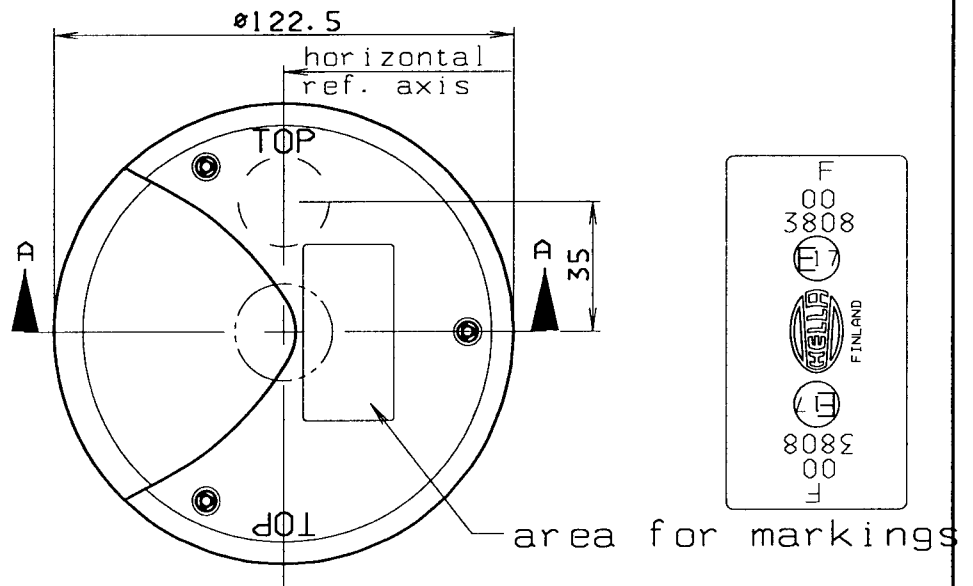
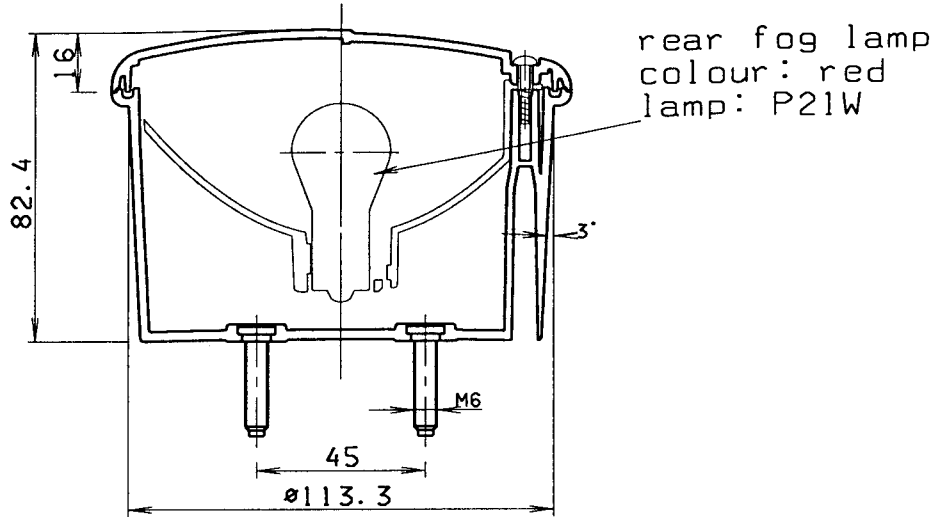
16. The list of documents deposited with the Administrative Service which has granted approval is annexed to this communication and may be obtained on request.

Test report No. AUT/TES/57/98
AUT/TES/288/99

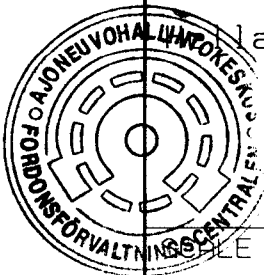
Drawings No. 014029-00
014113-00
341 212-00

F
00
3808



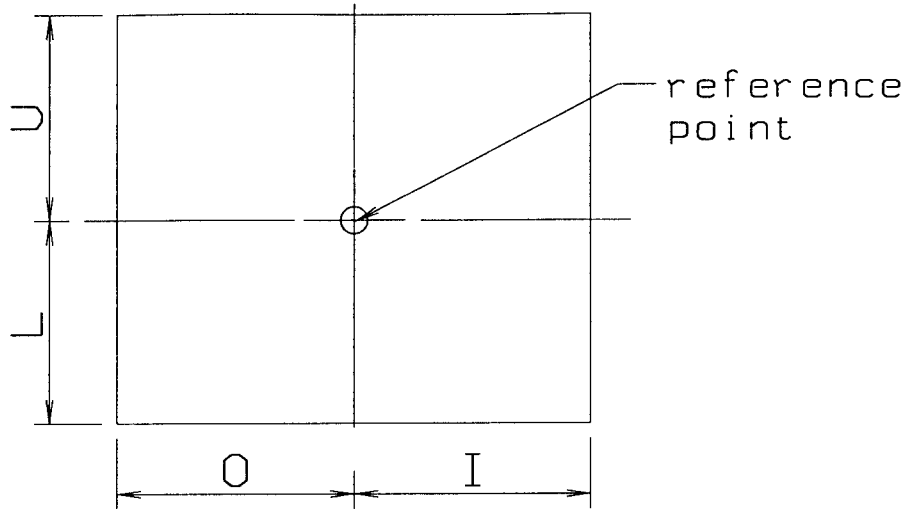


Talmu product number: 14 1179-120 with fixing screws
 " " : 14 1179-170 without " "
 " " : 2NE 964 169-02



F ISO-E 00 3808	1:2 	DATE 26.01.1998	NAME EHA	OY TALMU AB FINLAND
		EXAM.	TUKE	
	GROUP			
PART NAME E17 REAR FOG LAMP 1179				MODE H
			DRAWING NO 014029-00	ISO-A 4
				MCADAM

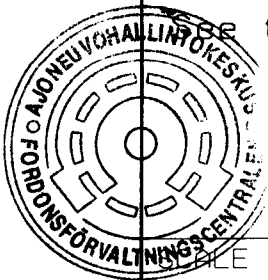
Determining the lower, upper and lateral limits of the illuminating surface of the lamp device.
 According to European DIRECTIVE 91/663/EEC, Annex I
 "Installation of lightning and light-signalling devices",
 clause 1.9.2.
 According to ECE regulation 48/01
 "Installation of lightning and light-signalling devices",
 clause 2.9.2.




Function	upper limit (U) mm	lower limit (L) mm	outer limit (O) mm	inner limit (I) mm
Rear fog lamp	41	42	45	50

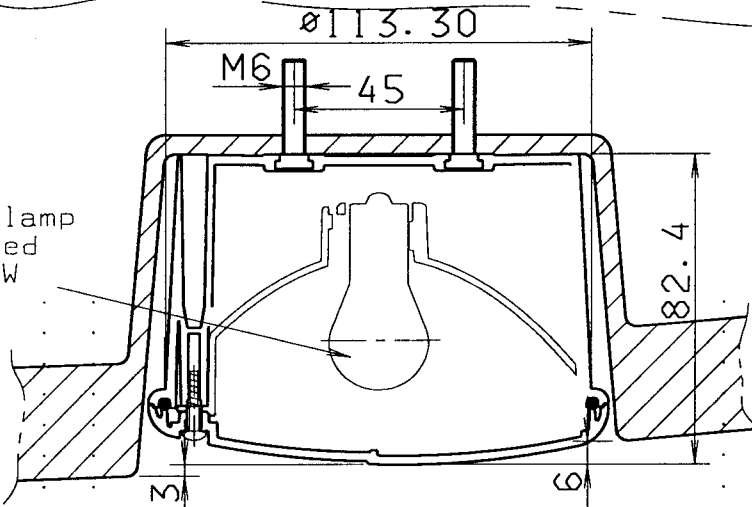
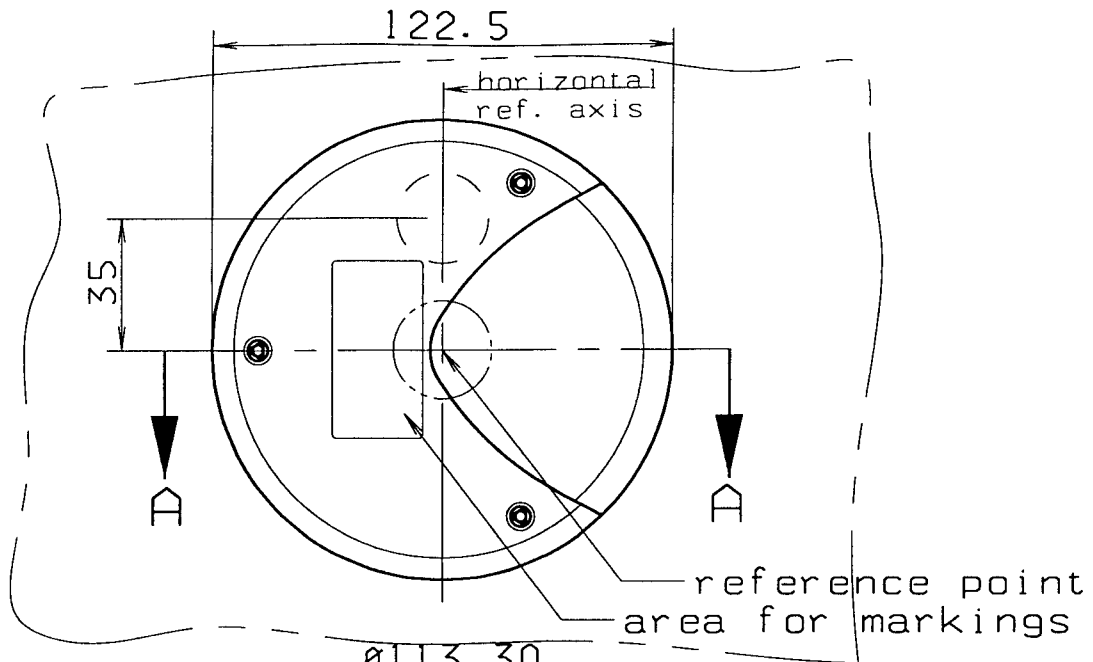
Belongs drw. no: 014029-00

See test report VTT AUT/TES/57/98

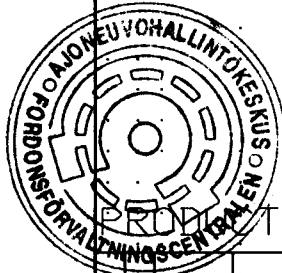


FILE —	DATE	NAME	 OY TALMU AB FINLAND
	DRAWN 11.04.1998	EHa	
	EXAM.		
ISO-E	GROUP	TUKE	
00	PART NAME REAR FOG LAMP 1179		MODE H
3808	DRAWING NO 014113-00		ISO-A 4
ILLUMINATING SURFACE		MCADAM	


E₁₇



rear fog lamp
colour: red
lamp: P21W



PROJECT NUMBER: 14 1179-120

2D/3D	A-Index Rev. Ind.	war was	Blatt Page	Aenderung Rev. Description	A-Nr. Rev. No.	Datum Date	K-Gr. /User id Depart. /User id
Oberflaeche 1 Surface 1							
Werkstoff 1 Material 1							
Allgemeintoleranz General Tolerance					Gewicht Weight		Mat.-Nr. Mat.-No.
Diese Unterlage ist vertraulich zu behandeln. Ihre Weitergabe sowie die Verwertung und Mitteilung ihres Inhalts ist nur mit unserer ausdruecklichen Genehmigung gestattet. Wir behalten uns alle Rechte vor, insbesondere das Recht zur Schutzrechtsanmeldung.				This document is confidential. It's contents are not to be exploited, passed on or disclosed to third parties without our express permission. All rights reserved.			
Maszstab Scale		1999	Datum Date	Userid	 Hella Lighting Finland		
Projektionsmethode Projection		Erstellt/Entw. Drawn	04.08	EIH			
00		Freigegeben Checked		JNI			
3808		Konstr.-Gr. Department					
Benennung E 17					Artikel-Nr. Part No.		
Title REAR FOG LAMP 1179					Zeichnungs-Nr. Drawing No.		Format Size
					341 212-00		A4
Ersatz fuer Replaces					Blatt: Page:		Blattzahl: Of:
CANAM:					Dnk.-Status:		