



Vehicle Administration Centre has, on the application of Oy Talmu Ab, located in Salo, by virtue of the Decree on Carrying into Effect the Agreement Concerning the Adoption of Uniform Conditions of Approval and Reciprocal Recognition of Approval for Motor Vehicle Equipment and Parts, § 2, decided to grant the ECE approval for the motor vehicle rear fog lamp model Talmu 14 1179-120 , 14 1179-170 and Hella 2NE 964 169-02 manufactured by the applicant, carrying approval number 3808 and complying with the ECE regulation No. 38/00 as specified in the enclosed Approval Certificate and Drawings No. 014029-00 and 014113-00.

The lamp devices marked with the approval number must correspond to the devices examined in tests on which this approval decision is based on. The approval can be cancelled if it is found that the lamp devices carrying the approval number do not comply with the requirements of ECE Regulations No. 38/00.

Helsinki, on the 14th of May 1998.

Head of Unit

Martti Lahti

Inspection Engineer

Ismo Ronkainen

Charge FIM 1000,-

Oy Talmu Ab  
24100 Salo

F  
00  
3808



COMMUNICATION

concerning:

APPROVAL GRANTED  
~~APPROVAL EXTENDED~~  
~~APPROVAL REFUSED~~  
~~APPROVAL WITHDRAWN~~  
~~PRODUCTION DEFINITELY DISCONTINUED~~

of a type of rear fog lamp

pursuant to Regulation No. 38/00

Approval No. 3808

Extension No. -

1. Trade name or mark of the device  
Talmu 14 1179-120 and 14 1179-170  
Hella 2NE 964 169-02
2. Manufacturer's name for the type  
of device:  
rear fog lamp 1179
3. Manufacturer's name and  
address:  
OY TALMU AB  
FIN-24100 Salo, Finland
4. If applicable, name and address of  
the manufacturer's representative:  
n.a.
5. Submitted for approval on:  
13.5.1998
6. Technical service responsible  
for conducting approval tests:  
VTT AUTOMATION, Product Technology  
P.O.Box 13051  
FIN-02044 VTT, Finland
7. Date of test report:  
7.5.1998
8. Number of test report:  
AUT/TES/57/98





9. Concise description:

Number and type(s) of lamp(s): one lamp, P21W

10. Position of the approval mark: on the lens, see drawings No. 014029-00

11. Reason(s) for extension  
(if applicable): n.a.

12. Approval: ~~granted/extended, refused/withdrawn~~

13. Place: Helsinki

14. Date: 14.5.1998

15. Signature:

Martti Lahti  
Head of Unit

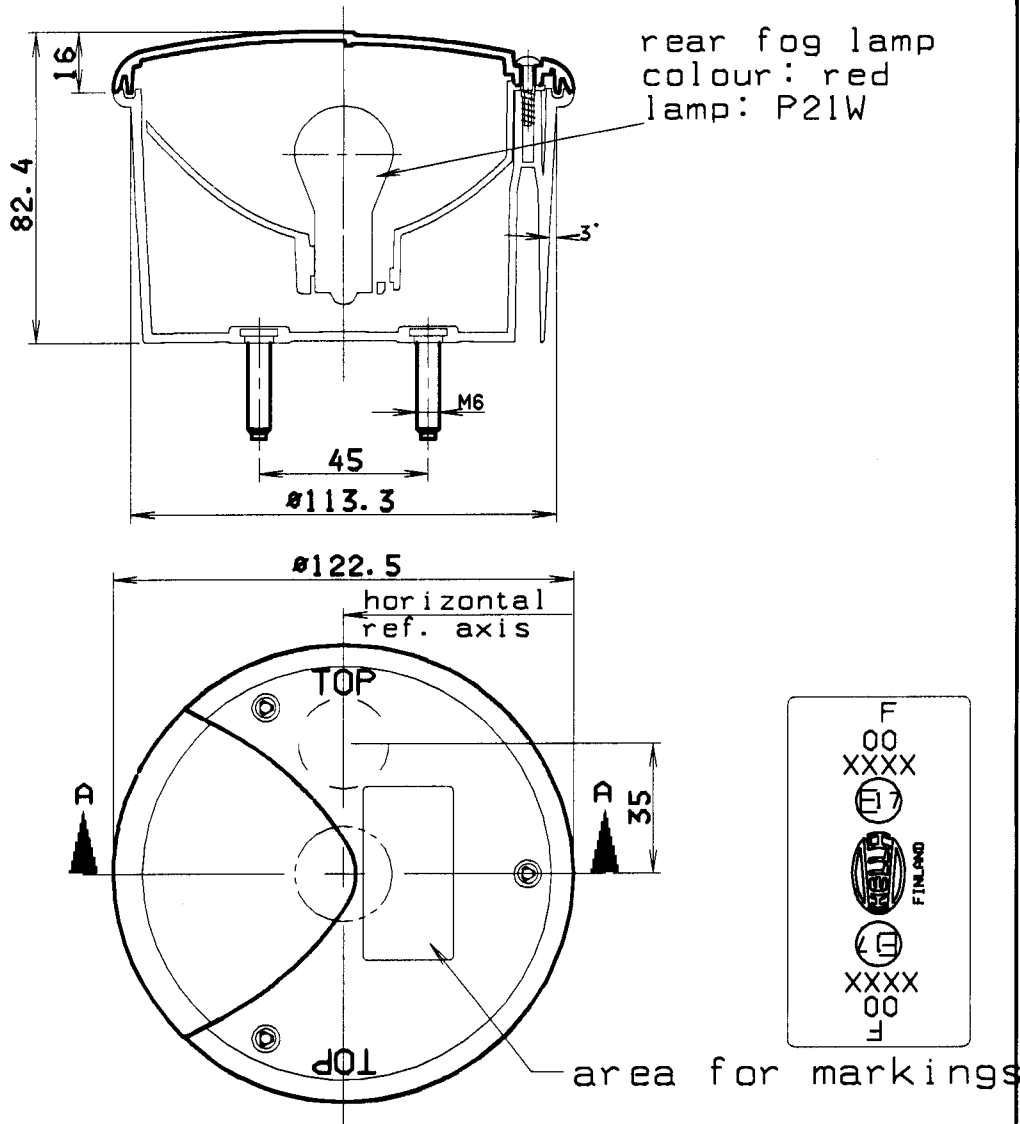


16. The list of documents deposited with the Administrative Service which has granted approval is annexed to this communication and may be obtained on request.

Test report No. AUT/TES/57/98  
Drawings No. 014029-00  
014113-00

F  
00  
3808


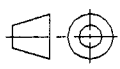


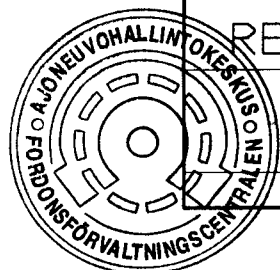


Talmu product number: 14 1179-120 with fixing screws  
 " " : 14 1179-170 without " "  
 Hella " " : 2NE 964 169-02

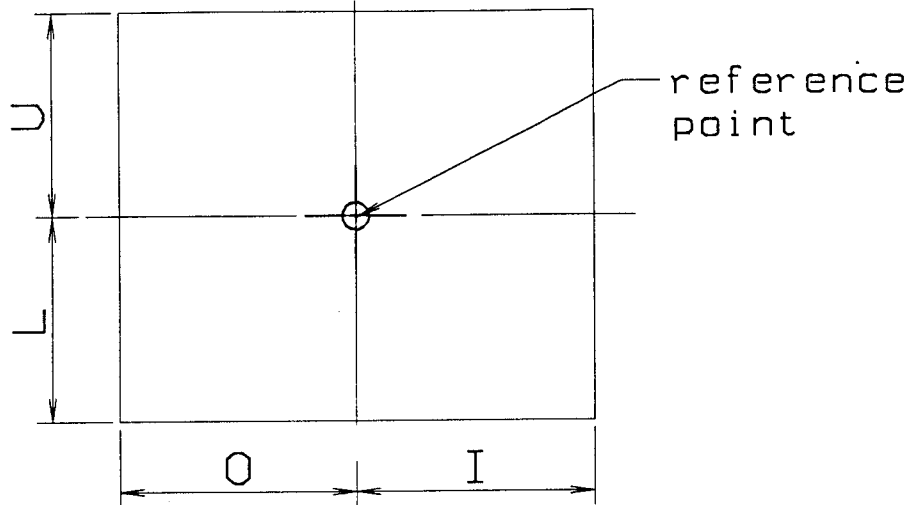
F  
00  
3808

**E17**

SCALE	1:2	DATE	NAME	 OY TALMU AB FINLAND
ISO-E		DRAWN	EHA	
		EXAM.	TUKE	
PART NAME				MODE
REAR FOG LAMP 1179				H
DRAWING NO			ISO-A	
014029-00			4	
MCADAM				



Determining the lower, upper and lateral limits of the illuminating surface of the lamp device.  
 According to European DIRECTIVE 91/663/EEC, Annex I  
 "Installation of lightning and light-signalling devices",  
 clause 1.9.2.  
 According to ECE regulation 48/01  
 "Installation of lightning and light-signalling devices",  
 clause 2.9.2.




Function	upper limit (U) mm	lower limit (L) mm	outer limit (O) mm	inner limit (I) mm
Stop lamp	41	42	45	50

Belongs drw. no: 014029-00

See test report VTT AUT/TES/57/98

F  
00  
3808

E 17

SCALE	—	DATE	NAME	 OY TALMU AB FINLAND
	DRAWN	11.04.1998	EHa	
ISO-E	EXAM.			
	GROUP		TUKE	
PART NAME				MODE
REAR FOG LAMP 1179				H
ILLUMINATING SURFACE			DRAWING NO	ISO-A
			014113-00	4
			MCADAM	

