

3

2

1

3) MOUNTING STEM, M22 x 1.5

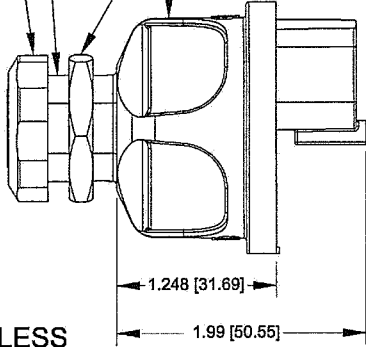
F

E

HEX NUT, BRASS

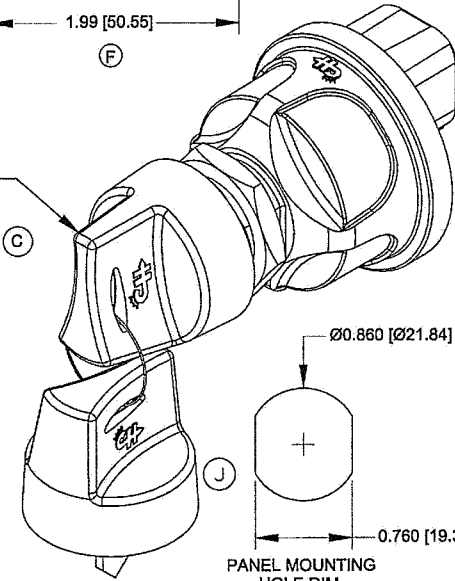
HOUSING, PLASTIC, BLACK

FACE NUT, PLASTIC, BLACK, NOTE 8



VIEW LESS KEY & BOOT

2 DOUBLE BITTED BOOTED KEYS RINGED, BLACK, NOTE 8

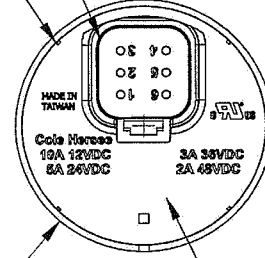


PANEL MOUNTING HOLE DIM.

HENCOL 13 SEAL AROUND PERIMETER

J

CONNECTOR TO ACCEPT DEUTSCH DT06-6S CONNECTOR OR EQUIV



G

Ø2.011 [Ø51.07]

MARK PART NUMBER & DATE CODE

E

NOTES:

1. TOLERANCES PLUS OR MINUS 0.015 [0.38]
2. CONTACT AREA SEALED TO IP67
3. BACK OF SWITCH SEALED WHEN MATING CONNECTOR IS INSTALLED
4. FOR RESISTIVE LOAD RATING SEE CHART OR BACK OF SWITCH
5. KEY REMOVEABLE IN OFF POSITION ONLY
6. FOR PIN LOCATIONS SEE CHART
7. MATERIALS: HOUSING BLACK THERMOPLASTIC
INTERNAL STATIONARY CONTACTS COPPER
8. KEY BOOT FITS OVER FACE NUT
9. SWITCH TESTED TO SAE J259,
UL RECOGNIZED TO UL 1054
10. SW. MUST NOT BREAK CIRCUIT OR BE DAMAGED IF TORQUED TO 15 IN-LBS [1.69Nm]
11. IF THE APPLICATION MOUNTS THE SWITCH WITH THE LOCK CYLINDER OR LEVER APPROACHING VERTICAL, CONTACT THE FACTORY FOR AN APPLICATION REVIEW AND POTENTIAL ALTERNATE PRODUCTS BEFORE DESIGN IS SET.

E

G

C

D

E

J

PL

G

CIRCUIT	12VDC RESISTIVE LOAD
START	5 AMPS
ACCESSORY	10 AMPS
IGNITION	10 AMPS
BATTERY	

CONNECTED TOGETHER INTERNALLY
CONNECTED TOGETHER INTERNALLY

in Control Record

of Change	ECN No.	Date
DELETED HEX T	07049	2/13/07
NOTES	06325	10/3/06
ADD NOTE 8	06290	8/21/06
LOX310	06222	7/5/06

Tolerances Unless otherwise specifically noted, the following are default tolerances:
 * 2-place Decimal Dimensions $\pm .02"$
 * 3-place Decimal Dimensions $\pm .005"$
 * Angular Dimensions ± 1.0 Deg.
 * Metric: Refer to equivalent English Dimension Tolerance
 >>> NOTE: All tolerances are Non-Cumulative. <<<

Dimensional Units All dimensions are expressed in inches except those shown in brackets (xxx) are expressed in millimeters

"REF." or an Asterisk (*) = Non-Toleranced Reference Dimension, shown for clarification purposes only.

PROPRIETARY INFORMATION This Engineering Drawing, and the information contained herein, is proprietary to Cole Hersee Company and may not be disclosed, reproduced, or in any other way transferred or communicated to any other party without the express written consent of an authorized representative of Cole Hersee Company.

DESIGN CONTROL It is the responsibility of the individual using / referencing this drawing to assure that the noted design revision level agrees with the revision level of the Controlled Document (Master Drawing). This is a NON-CONTROLLED DOCUMENT unless otherwise specifically noted.

DO NOT SCALE - Dimensional variation may occur during printing / reproduction.

Special Characteristics:

- ⊕ Critical Characteristic, relating to Safety and/or Regulatory Compliance
- X Significant Characteristic relating to Process Control (SPC)
- Ⓢ Control Dimension relating to Form - Fit - Function as defined by Cole Hersee Company and/or the Customer

(Note that the identification of any Characteristics as being "Special" does not alter the requirement that ALL specified dimensions & tolerances must be met.)

Cole Hersee Co.
 20 Old Colony Ave., South Boston, MA, 02127
 Phone 617-268-2100 Web: www.colehersee.com

Description:
SW, ROT, 4POS, PLSTC

Drawing / Part No.: 95060

Current Rev.: J

3

2

1